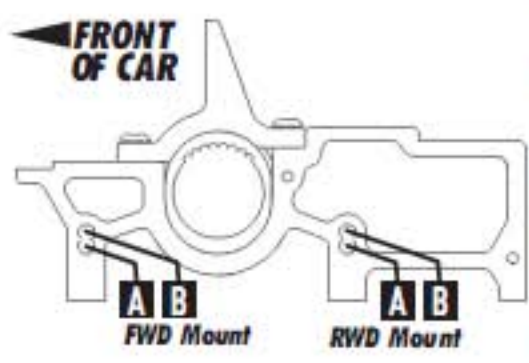


| Transmitter              |  |
|--------------------------|--|
| Turning Circle: D/R 100% |  |
| Steering Expo: -50       |  |
| Brake E.P. : 82          |  |
| Throttle Expo: -         |  |
| Speed Control            |  |
| S.C. Type: LRP TC Spec   |  |
| S.C. Settings: 2.4.0.1   |  |



| Front        | Alignment     | Rear  |
|--------------|---------------|-------|
| 5.25mm       | Ride Height   | 5.5mm |
| -1.0°        | Camber        | -1.5° |
| 4°           | Caster        | N/A   |
| N/A          | Rear Hub Toe  | 0°    |
| + 1°         | Toe (Total)   | -3.0° |
| -            | Hex Spacing   | -     |
| 1mm          | Wheelbase     | 2mm   |
| 1A           | Steering Link | N/A   |
| silver + 2mm | Bumpsteer     | N/A   |

| Suspension Geometry |                      |             |
|---------------------|----------------------|-------------|
| 2B                  | Shock Position       | 2B          |
| 3                   | Camber Link Position | 3A          |
| black + 0mm         | Outer Ball & Shims   | black + 2mm |
| 2A                  | FWD Arm Mount        | 2A          |
| -                   | FWD Mount Shims      | -           |
| 2A                  | RWD Arm Mount        | 2A          |
| -                   | RWD Mount Shims      | 3mm         |
| 6                   | Drop                 | 5.5         |
| 1.50mm              | Anti-Roll Bar        | 1.25mm      |

Notes: All hard Plastic Parts

| Shocks    |         |           |
|-----------|---------|-----------|
| LRP 45 wt | Oil     | LRP 40 wt |
| #56       | Piston  | #56       |
| 4mm       | Rebound | 4mm       |
| silver    | Spring  | silver    |

Notes: No rebound Foam

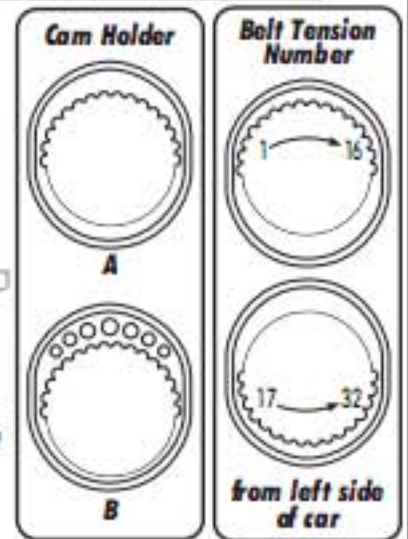
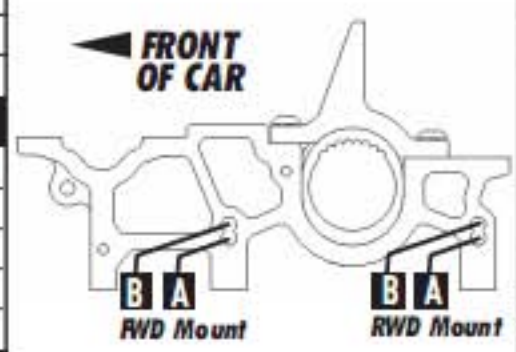
| Differentials |                     |           |
|---------------|---------------------|-----------|
| Spool         | Type                | Alum.Diff |
| -             | Setting             | loose 1/8 |
| A             | Cam Holder          | A         |
| 4             | Belt Tension Number | 12        |

Notes:

| Tires    |                   |          |
|----------|-------------------|----------|
| CS-27    | Tire              | CS-27    |
| -        | Tire Diameter     | -        |
| Hand out | Insert & Wheel    | Hand out |
| -        | Additive & Amount | -        |

Notes:

| Chassis                        |  |  |
|--------------------------------|--|--|
| Chassis: ITF                   |  |  |
| Top Plate: ITF                 |  |  |
| Notes: Front+Rear Bulkhead cut |  |  |



| Motor               | Gear     | Notes     |
|---------------------|----------|-----------|
| LRP X11 3.5T / 12.5 | 28 / 124 | Timing 2° |

| Body & Wing        |
|--------------------|
| PF Mazda 6 / orig. |

| Battery            |
|--------------------|
| LRP V-Tec 4600 Hv2 |