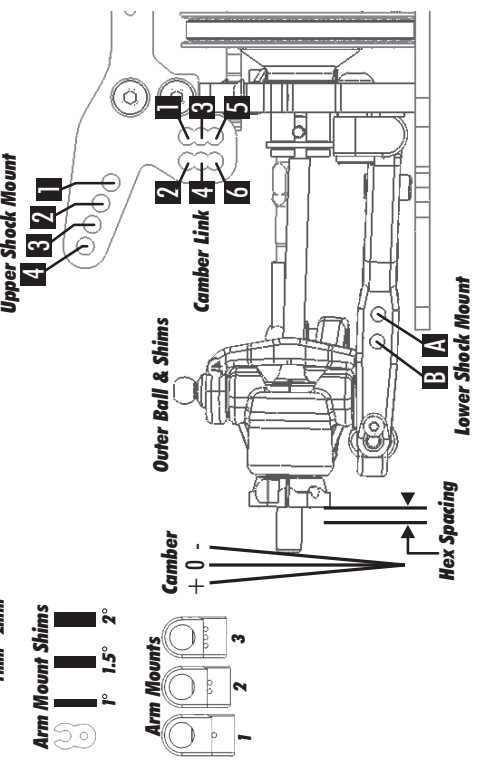
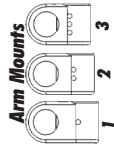
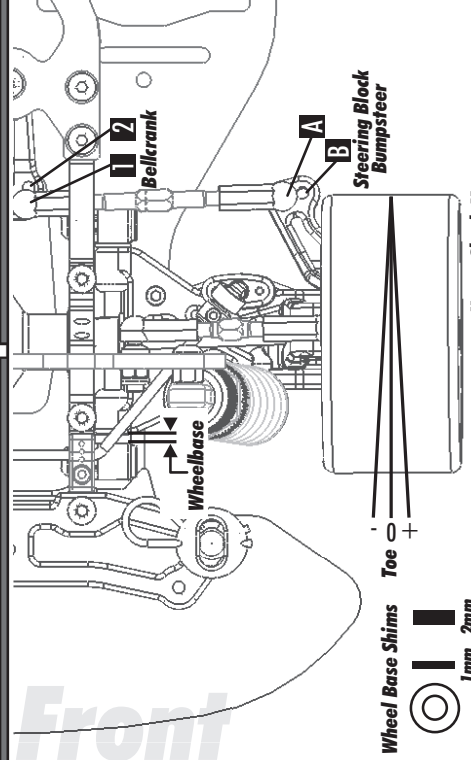


Name: Zak Smith
Event: National warm-up
Conditions: Dry

Date: 6/9/09
Track: Mendip

For Team Driver's setups, please visit www.RC10.com or www.TeamAssociated.com!

Reset Fields

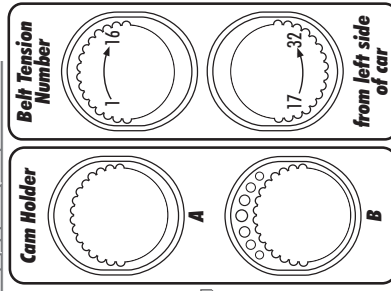
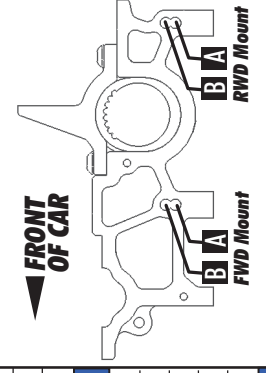
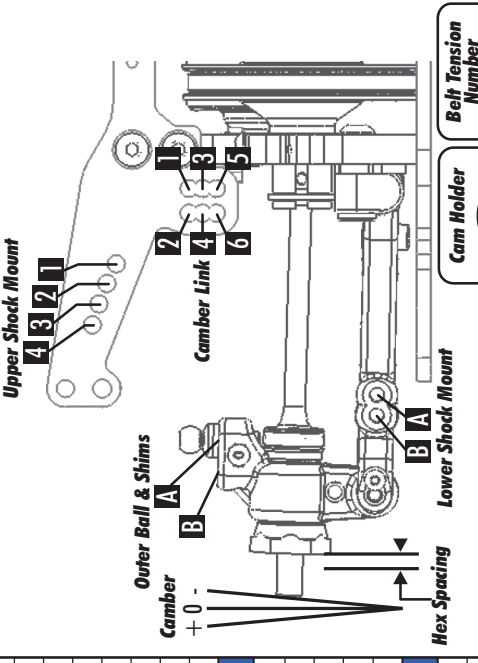
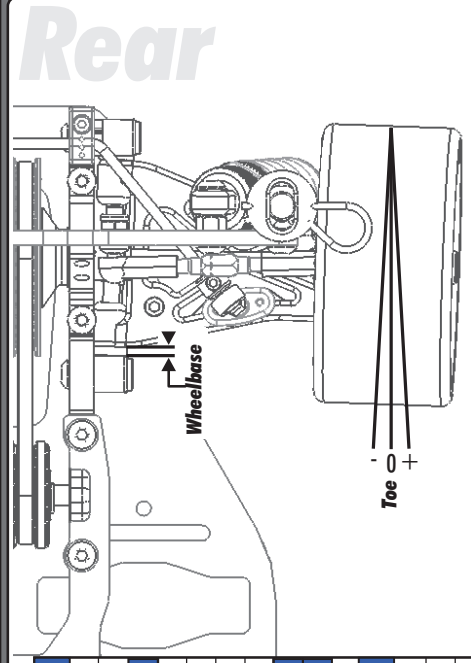


Transmitter	
Turning Circle:	
Steering Expo:	
Brake E.P.:	
Throttle Expo:	
Speed Control	
S.C. Type:	
S.C. Settings:	

Motor /

Gear /

Notes



Front	Alignment	Rear
6	Ride Height	6
2	Camber	2
4	Caster	N/A
N/A	Rear Hub Toe	0
0	Toe (Total)	3.5
0	Hex Spacing	0
2	Wheelbase	1
2A	Steering Link	N/A
3mm	Bumpsteer	N/A

Suspension Geometry	
1B	Shock Position
3	Camber Link Position
0	Outer Ball & Shims
3A	FWD Arm Mount
1mm	FWD Mount Shims
2A	RWD Arm Mount
1mm	RWD Mount Shims
6	Droop
gold	Anti-Roll Bar

Shocks	
450	Oil
ae 2	Piston
50%	Rebound
Hpi silver	Spring

Differentials	
spool	Type
	Setting
A	Cam Holder
	Belt Tension Number

Tires	
Sorex	Tire
	Tire Diameter
	Insert & Wheel
Tweek	Additive & Amount

Chassis	
Chassis:	2.5mm
Top Plate:	itf
Notes:	

Body & Wing
Mazda speed 6

Battery