

Rear	Alignment	Front
5mm	Ride Height	5mm
-2.0mm	Camber	-1.5mm
N/A	Caster	2
-1	Rear Hub Toe	N/A
-2	Toe	1.5
---	Hex Spacing	---
2mm	Wheelbase	1mm
N/A	Steering Link	1A
N/A	Bumpsteer	---

### Notes:

Differentials	
Diff	Type
Loose	Setting
16	Belt Tension Number
A	Cam Holder

### Notes:

Tires	
Jaco Green	Tire
---	Tire Diameter
---	Insert & Wheel
Paragon Full	Additive & Amount

### Notes:

Shocks	
40	Oil
2	Piston
Full	Rebound
AE Silver	Spring

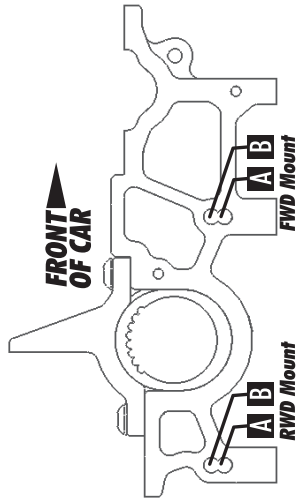
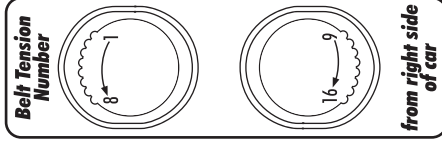
### Notes:

Chassis	
ITF	Chassis
ITF	Top Plate

### Notes:

Suspension Geometry	
2A	Shock Position
1B	Camber Link Position
Black/1mm Spacer	Outer Ball & Shims
2A	FWD Arm Mount
0mm	FWD Mount Shims
2A	RWD Arm Mount
2mm	RWD Mount Shims
5mm	Droop
---	Anti-Roll Bar

### Notes:

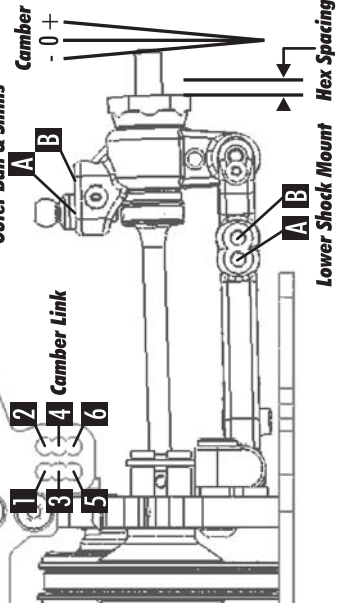


### Upper Shock Mount

- 1
- 2
- 3
- 4

### Outer Ball & Shims

- 1
- 2
- 3
- 4
- 5
- 6

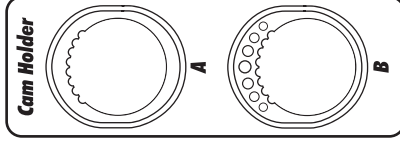


### Body & Wing

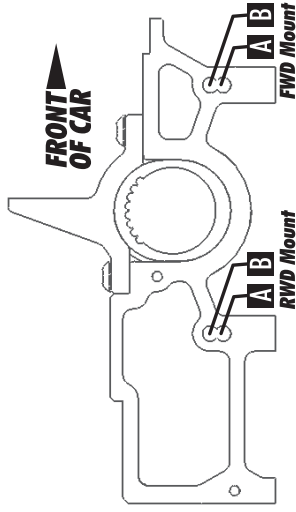
Mazda Speed 6

### Battery

Orion 4800



### FRONT OF CAR



### Upper Shock Mount

- 1
- 2
- 3
- 4

### Arm Mounts

- 1
- 2
- 3

### Arm Mount Shims

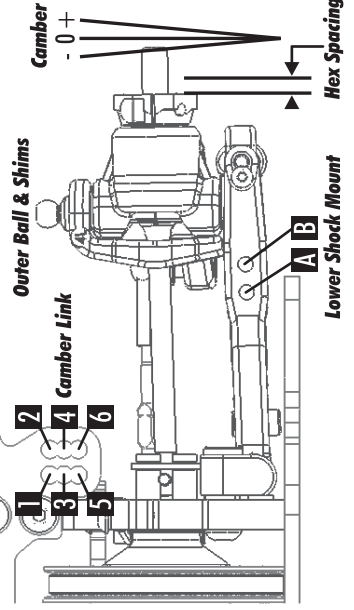
- 1.5° 2°

### Outer Ball & Shims

- 1
- 2
- 3
- 4
- 5
- 6

### Camber

- 0 +



### Motor

Novak 13.5

### Gear

96 / 40

### Brush

---

### Spring

---

### Timing

---