

Name: Sherwin Diaz

Event: _____

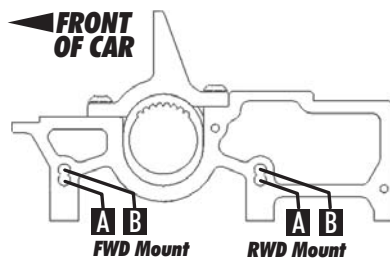
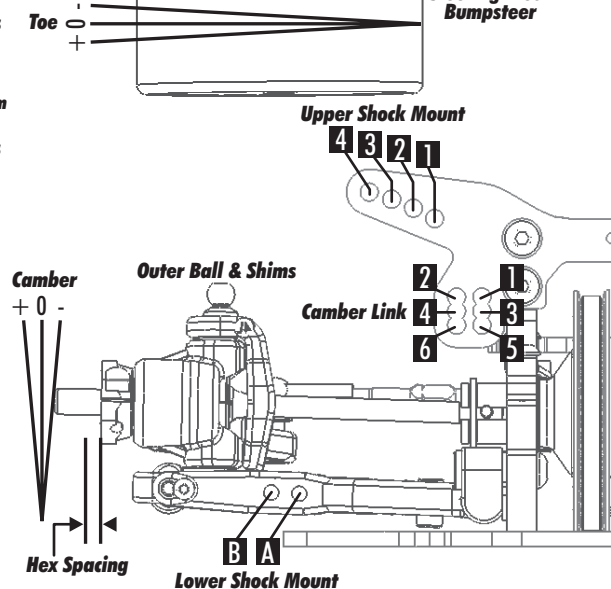
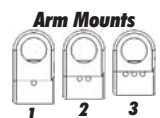
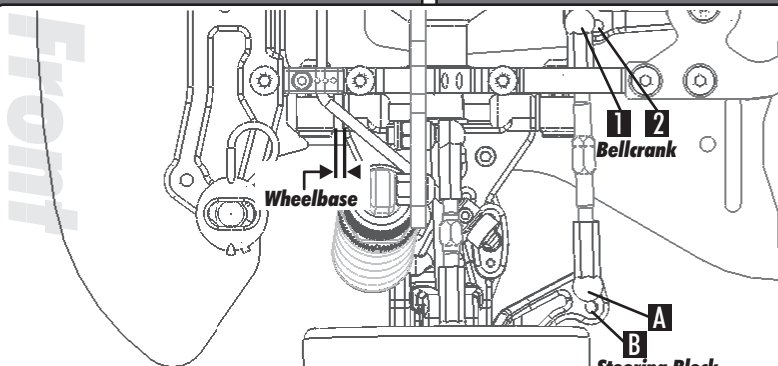
Conditions: High Grip

Date: 8//2008

Track: Adrenaline Raceway

For Team Driver's setups, please visit www.RC10.com or www.TeamAssociated.com!

Reset Fields



Front	Alignment	Rear
4	Ride Height	4
1	Camber	1.5
4	Caster	N/A
N/A	Rear Hub Toe	0
0	Toe (Total)	3
-	Hex Spacing	-
2mm	Wheelbase	2mm
1A	Steering Link	N/A
-	Bumpsteer	N/A

Notes:

Suspension Geometry

2	Shock Position	3
5	Camber Link Position	3A
	Outer Ball & Shims	1mm
3A	FWD Arm Mount	3A
-	FWD Mount Shims	-
3A	RWD Arm Mount	3A
-	RWD Mount Shims	3 Deg
5	Droop	4
Silver	Anti-Roll Bar	Black

Notes:

Shocks

35	Oil	35
#3	Piston	#3
None	Rebound	None
Blue	Spring	Green

Notes:

Differentials

Slipper Spool	Type	Alum Diff
-	Setting	1/8 loose
A	Cam Holder	A
1	Belt Tension Number	16

Notes:

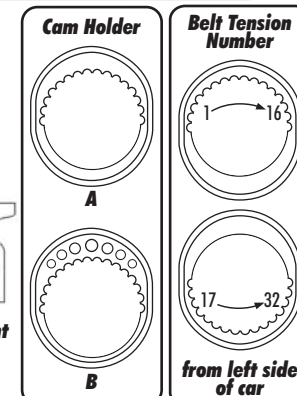
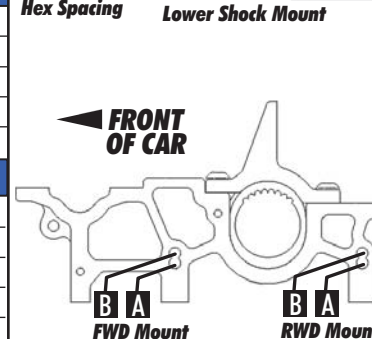
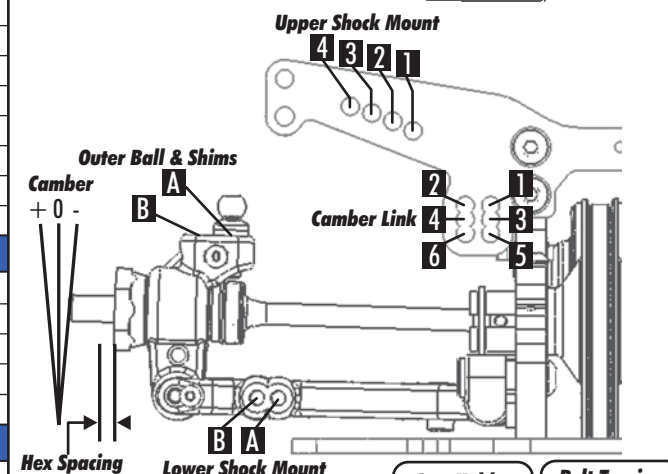
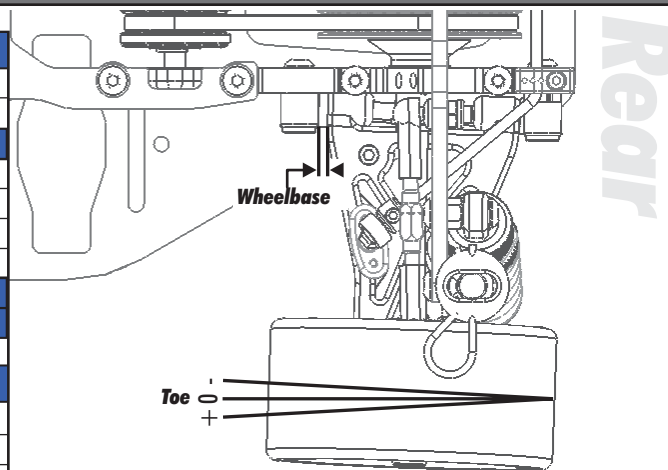
Tires

Jaco Blue	Tire	Jaco Blue
	Tire Diameter	
	Insert & Wheel	
None	Additive & Amount	None

Notes:

Chassis

Chassis: ITF
 Top Plate: ITF
 Notes:



Transmitter

Turning Circle:
 Steering Expo:
 Brake E.P. :
 Throttle Expo:

Speed Control

S.C. Type:
 S.C. Settings:

Motor	Gear	Notes
	/	

Body & Wing

Battery