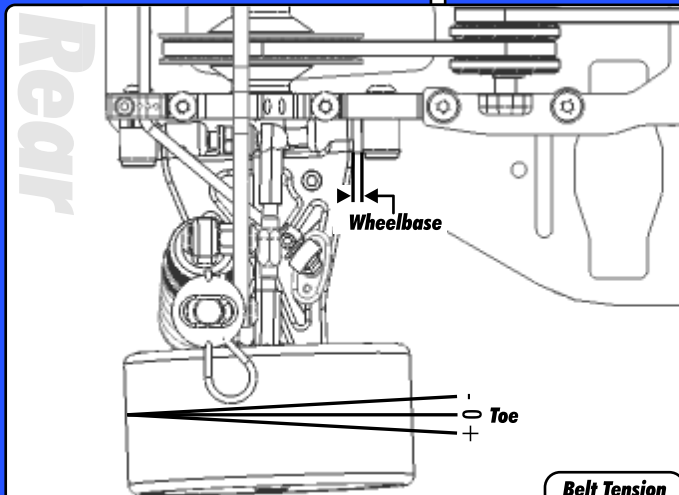


Name: Sean Williams
Event: Club Race
Conditions: Low to Medium Grip (it Just rained)

Date: 3.1.08
Track: BCR Raceway

For Team Driver's setups, please visit www.RC10.com, www.TeamAssociated.com or www.CompetitionX.com!



Rear	Alignment	Front
5	Ride Height	5
2	Camber	2
N/A	Caster	4
1	Rear Hub Toe	N/A
2 Total	Toe	1 out
none	Hex Spacing	none
2mm	Wheelbase	1mm
N/A	Steering Link	1A
N/A	Bumpsteer	2mm Silver

Notes:

Differentials

Diff	Type	Spool
1/8 turn	Setting	Locked
7	Belt Tension Number	1
A	Cam Holder	A

Notes:

Tires

RP30	Tire	RP30
RP	Tire Diameter	RP
Dip	Insert & Wheel	Dip
	Additive & Amount	

Notes: Cleaned w/buggy grip then applied DIP Warmer 57 C

Shocks

40	Oil	45
Losi #57	Piston	Losi #57
Blue	Rebound Spring	Blue

Notes:

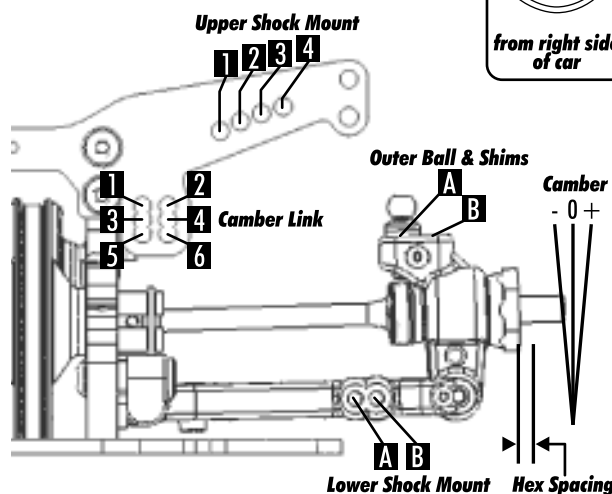
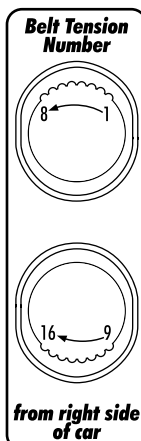
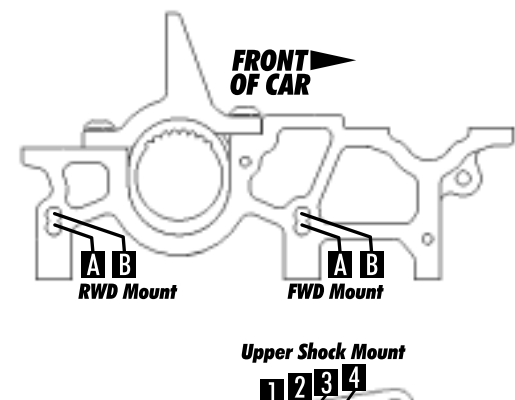
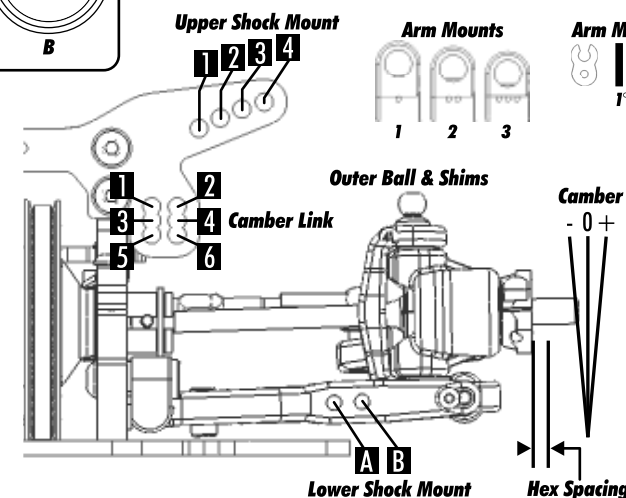
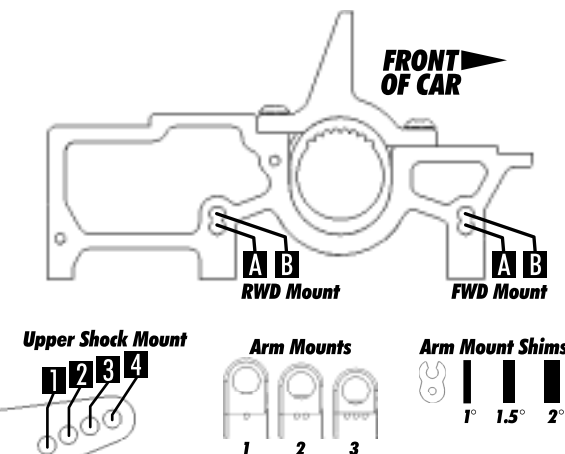
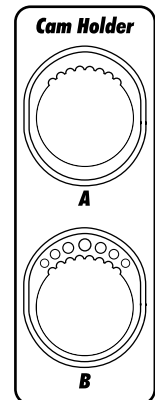
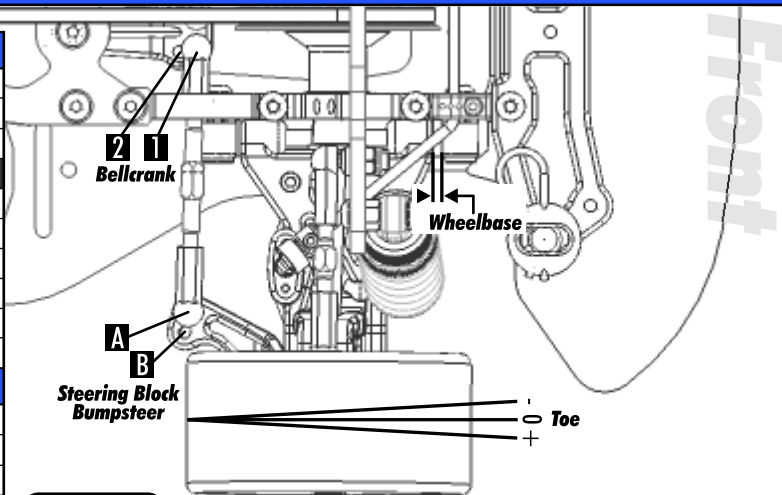
Chassis

Chassis: Standard
 Top Plate: ITF
 Notes: No Orings...Hard parts All the way around.

Suspension Geometry

3	Shock Position	3
3A	Camber Link Position	3
2mm Black	Outer Ball & Shims	none
1	FWD Arm Mount	2
1	FWD Mount Shims	none
1	RWD Arm Mount	2
2	RWD Mount Shims	none
4	Droop	5
Black	Anti-Roll Bar	Silver

Notes: Ceramics Bearings All the way Around



Body & Wing

Mazda 6

Battery

Reedy Vmax 4200 6 Cells

Motor Gear Brush Spring Timing

Speed Passion 10.5

100 / 39