

Rear	Alignment	Front
6	Ride Height	5
1.5	Camber	1.5
N/A	Caster	4
0	Rear Hub Toe	N/A
2	Toe	0
0	Hex Spacing	0
STD	Wheelbase	STD
N/A	Steering Link	1A
N/A	Bumpsteer	0

Notes:

Differentials		
Diff	Type	Solid Axle
1/8 turn open	Setting	N/A
7	Belt Tension Number	1
A	Cam Holder	A

Notes: Homemade solid Axle

Tires		
NOSRAM VTEC 27R	Tire	NOSRAM VTEC 27R
	Tire Diameter	
	Insert & Wheel	
--	Additive & Amount	--

Notes: Pre- Glued

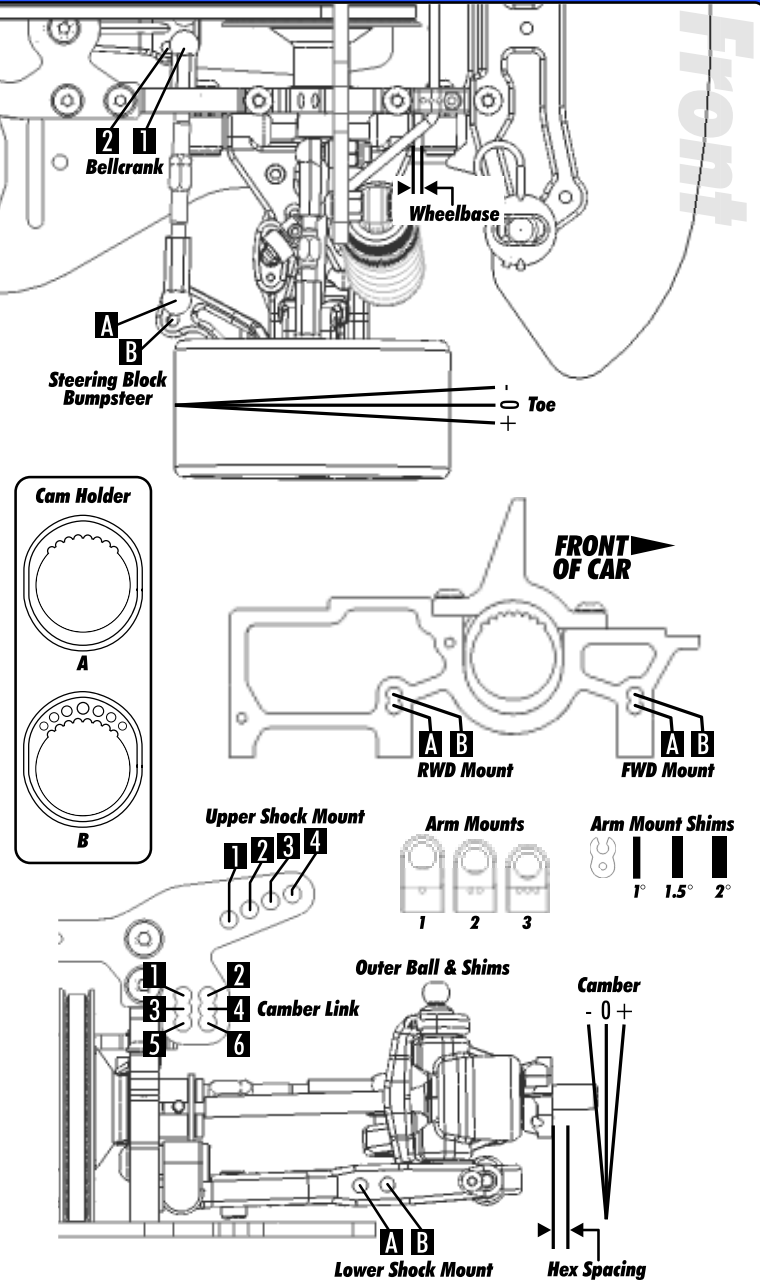
Shocks		
40WT	Oil	40WT
#3	Piston	#3
50%	Rebound	50%
15 LBS	Spring	20 LBS

Notes:

Chassis		
Chassis: ITF Chassis = 5 cell in front		
Top Plate: STD		
Notes: Old batteries, was driving schedule of 17 laps in 5:02. (3rd fastest ever)		

Suspension Geometry		
3B	Shock Position	2B
3A	Camber Link Position	3
1	Outer Ball & Shims	0
3A	FWD Arm Mount	2A
0	FWD Mount Shims	0
3A	RWD Arm Mount	2A
2 mm	RWD Mount Shims	0
5	Drop	6
None	Anti-Roll Bar	None

Notes:



Motor	Gear	Brush	Spring	Timing
Nosram 3,5T	93 / 20			STD

Body & Wing	Battery
PF Mazda 6 LW + EFRA SPEC STD Wing	IB4200 HV from 2006 nationals