

Rear	Alignment	Front
6.5	Ride Height	5.5
1.5	Camber	1.5
N/A	Caster	4
0	Rear Hub Toe	N/A
2.5	Toe	0
0	Hex Spacing	0
STD	Wheelbase	STD
N/A	Steering Link	1A
N/A	Bumpsteer	0

Notes:

Differentials		
Diff	Type	Solid-Axle
1/8 turn open	Setting	N / A
7	Belt Tension Number	1
A	Cam Holder	A

Notes:

Tires		
CS - 27	Tire	CS - 27
	Tire Diameter	
	Insert & Wheel	
	Additive & Amount	

Notes: Pre - glued -- Mandatory

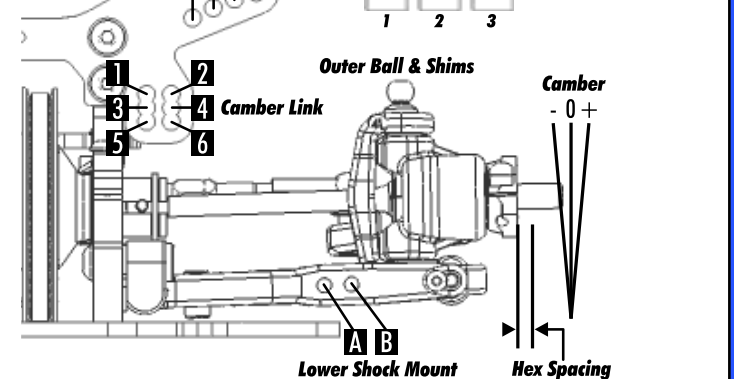
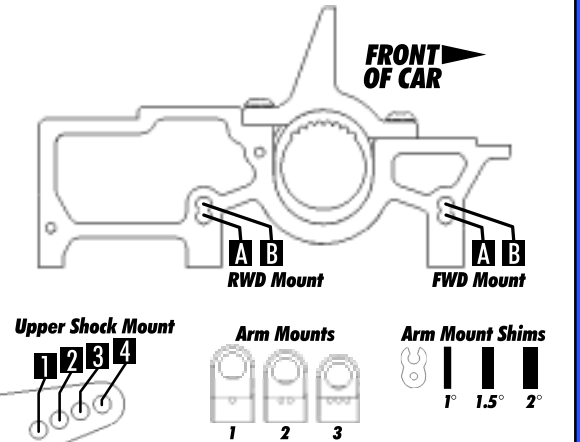
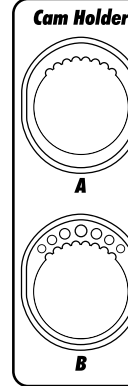
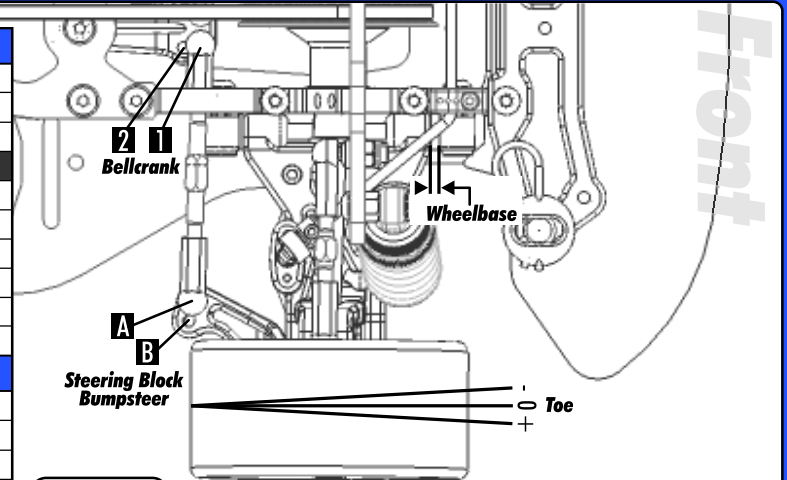
Shocks		
40WT	Oil	40WT
#3	Piston	#3
50%	Rebound	50%
15 LBS	Spring	20 LBS

Notes:

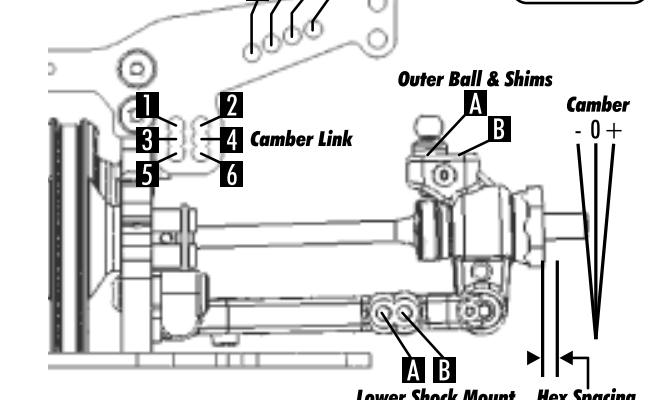
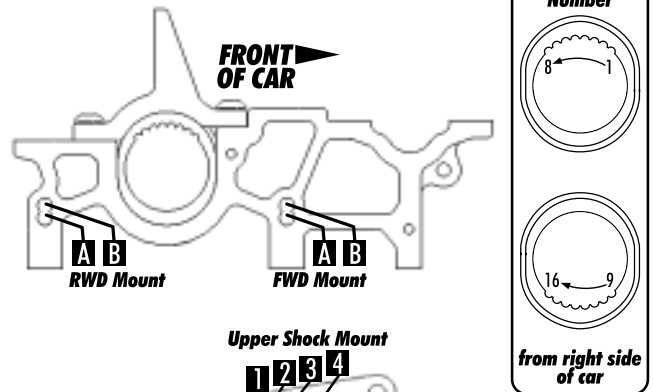
Chassis		
Chassis: ITF		
Top Plate: STD		
Notes: 5 cells in front		

Suspension Geometry		
3B	Shock Position	2B
3A	Camber Link Position	3
1	Outer Ball & Shims	0
3A	FWD Arm Mount	2A
0	FWD Mount Shims	0
3A	RWD Arm Mount	2A
2 mm	RWD Mount Shims	0
5	Droop	6
None	Anti-Roll Bar	1.2

Notes: With roll bars 1.2 (rear) and 1.5 (front) car is understeered



Motor	Gear	Brush	Spring	Timing
Nosram Storm Evo 3,5 T BL	93 / 20	---	---	STD



Body & Wing	Battery
PF Mazda 6 LW + EFRA Spec std Wing	NOSRAM VTEC 4200 PMAX 4200