

Rear	Alignment	Front
7	Ride Height	6
1.5	Camber	1.5
N/A	Caster	4
0	Rear Hub Toe	N/A
2	Toe	0
0	Hex Spacing	0
STD	Wheelbase	STD
N/A	Steering Link	1A
N/A	Bumpsteer	0

Notes:

Differentials		
Diff	Type	Solid Axle
1/8 turn open	Setting	N/A
7	Belt Tension Number	1
A	Cam Holder	A

Notes: Homemade solid Axle

Tires		
CS-27	Tire	CS-27
	Tire Diameter	
	Insert & Wheel	
	Additive & Amount	

Notes: Pre-glued. Mandatory Tires

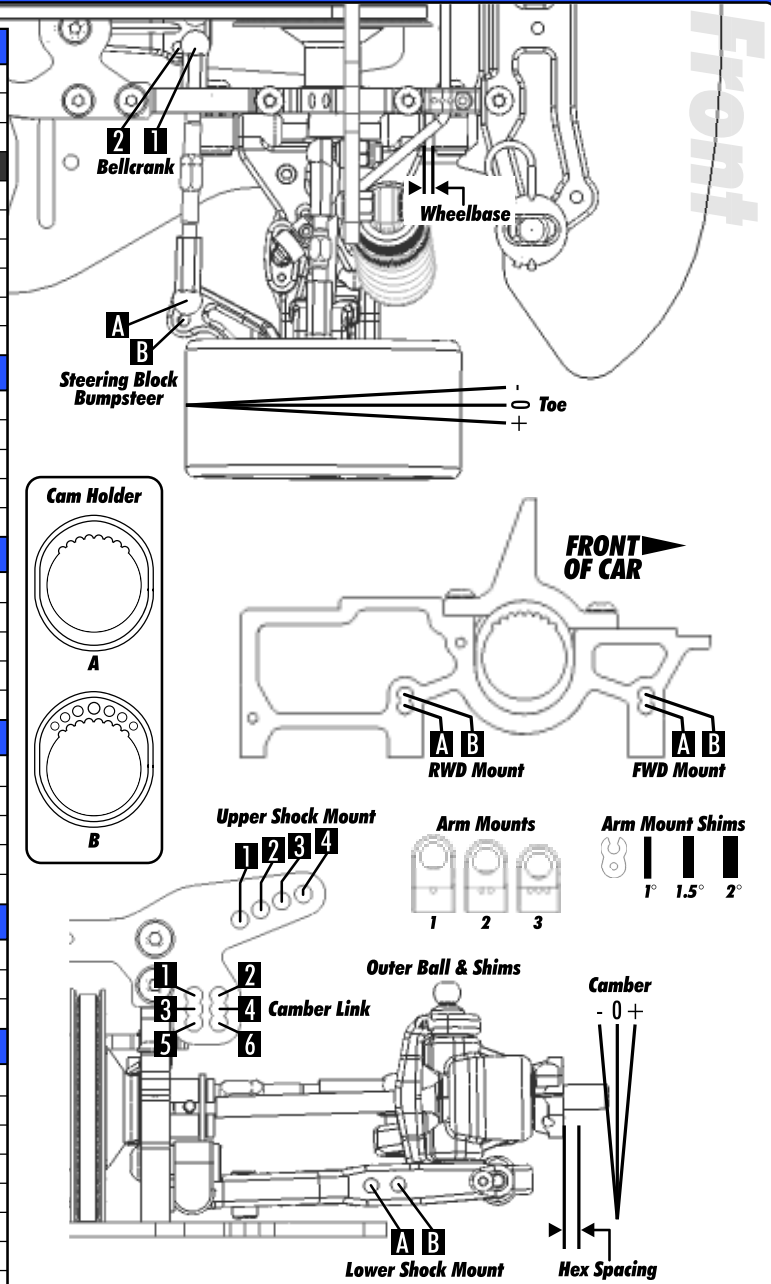
Shocks		
40WT	Oil	40WT
#3	Piston	#3
50%	Rebound	50%
15 LBS	Spring	20 LBS

Notes:

Chassis		
Chassis: ITF Chassis = 5 cell in front		
Top Plate: STD		
Notes: With ITF Top plate cars loses to much speed during cornering		

Suspension Geometry		
3B	Shock Position	2B
3A	Camber Link Position	3
1	Outer Ball & Shims	0
3A	FWD Arm Mount	2A
0	FWD Mount Shims	0
3A	RWD Arm Mount	2A
2 mm	RWD Mount Shims	0
5	Droop	6
None	Anti-Roll Bar	None

Notes:



Nosram 3.5T / Orion V2 8x2 (wet)	93 / 24	Oscar Janssen Silver	STD	STD
----------------------------------	---------	----------------------	-----	-----

Body & Wing	Battery
PF Mazda 6 LW + EFRA SPEC STD Wing	VTEC NOSRAM PMAX 4200