

Rear	Alignment	Front
6 (7 in wet)	Ride Height	5 (6 in wet)
1.5	Camber	1.5
N/A	Caster	4
0	Rear Hub Toe	N/A
2	Toe	0
0	Hex Spacing	0
STD	Wheelbase	STD
N/A	Steering Link	1A
N/A	Bumpsteer	0

**Notes:**

Differentials		
Diff	Type	Solid Axle
1/8 turn open	Setting	N/A
7	Belt Tension Number	1
A	Cam Holder	A

**Notes:** Homemade solid Axle

Tires		
CS-27	Tire	CS-27
	Tire Diameter	
	Insert & Wheel	
	Additive & Amount	

**Notes:** Pre-glued. Mandatory Tires

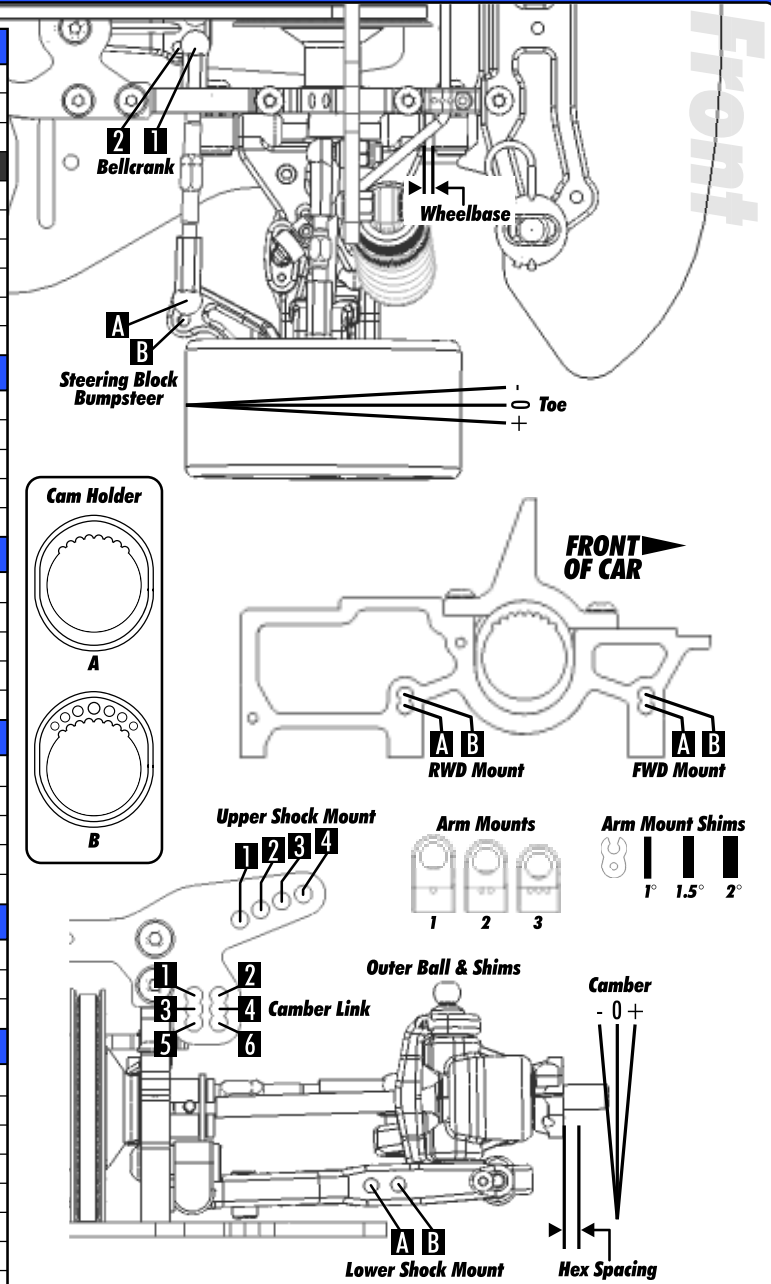
Shocks		
40WT	Oil	40WT
#3	Piston	#3
50%	Rebound	50%
15 LBS	Spring	20 LBS

**Notes:**

Chassis		
Chassis: ITF Chassis = 5 cell in front		
Top Plate: STD		
Notes: 2nd main ESC got in thermo it was to isolated.		

Suspension Geometry		
3B	Shock Position	2B
3A	Camber Link Position	3
1	Outer Ball & Shims	0
3A	FWD Arm Mount	2A
0	FWD Mount Shims	0
3A	RWD Arm Mount	2A
2 mm	RWD Mount Shims	0
5	Droop	6
None	Anti-Roll Bar	None

**Notes:**



Body & Wing	Battery
PF Mazda 6 LW + EFRA SPEC STD Wing	VTEC NOSRAM PMAX 4200