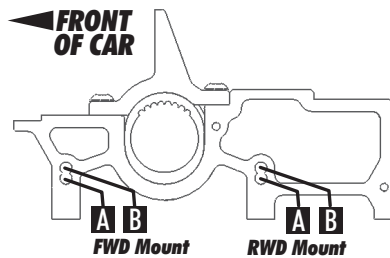
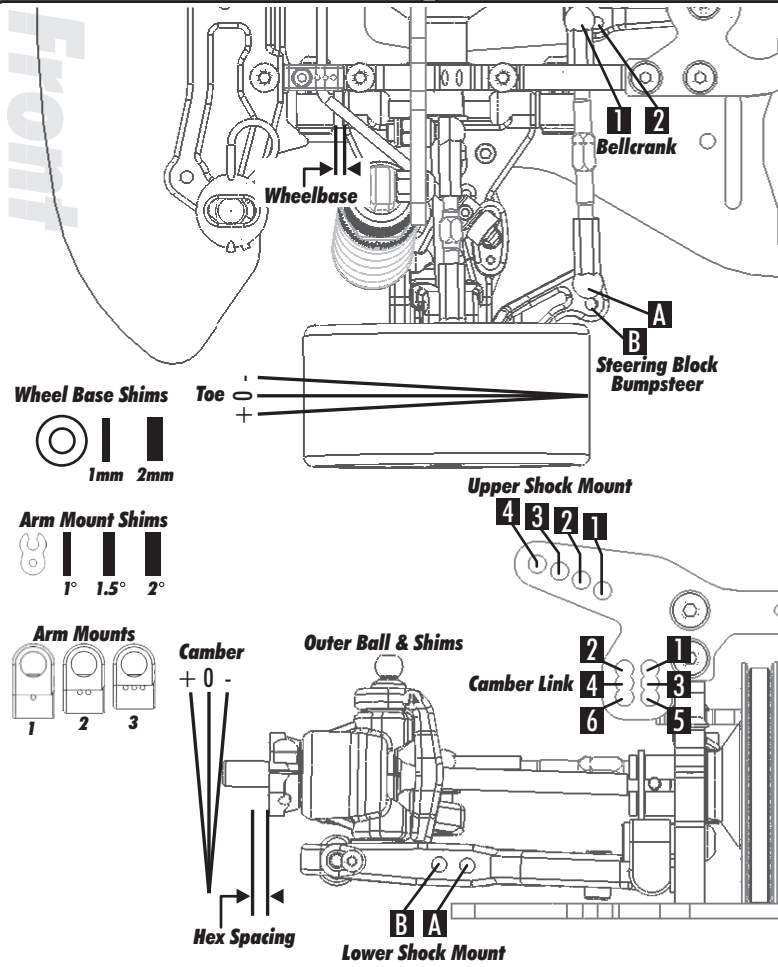


Name: Rick Hohwart
Event: 2009 Reedy Race of Champions
Conditions: Medium grip, sugar water

Date: 5/09
Track: Speedworld Raceway - Roseville, CA

For Team Driver's setups, please visit www.RC10.com or www.TeamAssociated.com!

Reset Fields



Front	Alignment	Rear
5 mm	Ride Height	5.5 mm
-2 deg	Camber	-2 deg
6 deg	Caster	N/A
N/A	Rear Hub Toe	0
+1 deg	Toe (Total)	2.5 deg
1 mm	Hex Spacing	0.5 mm
0 mm	Wheelbase	3 mm
1-B	Steering Link	N/A
3 mm	Bumpsteer	N/A

Notes:

Suspension Geometry		
2-A	Shock Position	2-A
3	Camber Link Position	3-A
black - 0	Outer Ball & Shims	black - 2mm
3B	FWD Arm Mount	3-B
0	FWD Mount Shims	0
3B	RWD Arm Mount	3-B
0	RWD Mount Shims	2 mm
6	Droop	5
none	Anti-Roll Bar	none

Notes:

Shocks		
AE 80	Oil	AE 50
#56	Piston	#56
10%	Rebound	10%
AE blue	Spring	AE silver

Notes: MIP o-rings, HB bladders

Differentials		
slipper spool	Type	alum diff
n/a	Setting	standard
A	Cam Holder	A
3	Belt Tension Number	30

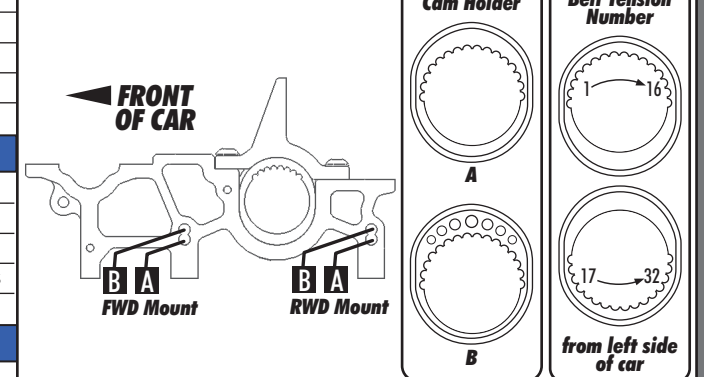
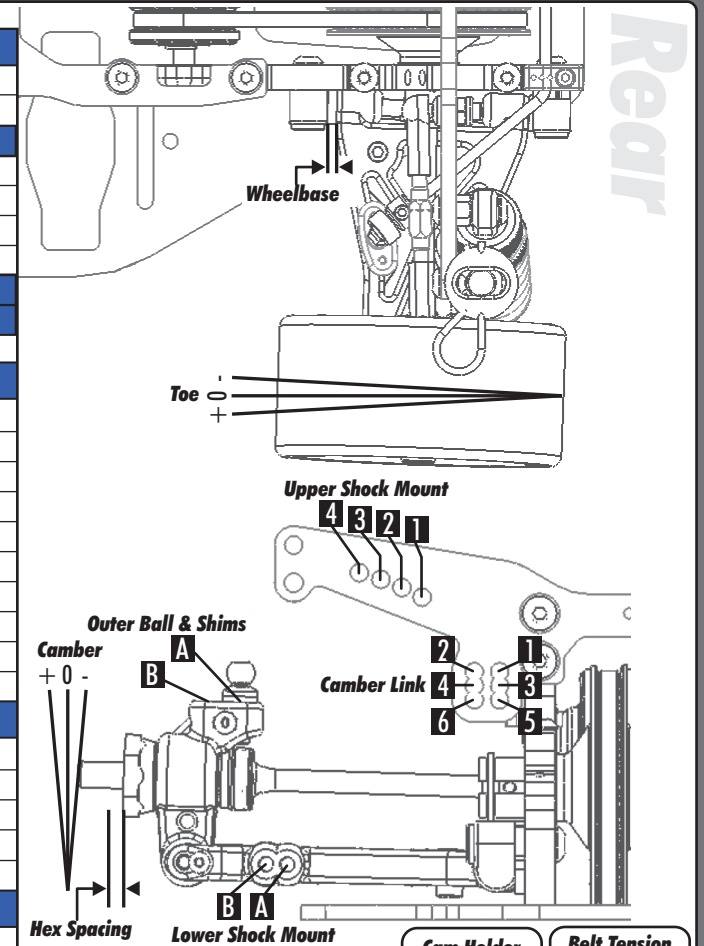
Notes: Optional 38/22 pulleys

Tires		
Jaco blue	Tire	Jaco blue
n/a	Tire Diameter	n/a
n/a	Insert & Wheel	n/a
Ground Effects	Additive & Amount	Ground Effects

Notes: Full additive 5 minutes front and rear

Chassis		
Chassis: ITF		
Top Plate: ITF		

Notes: All hard plastic parts



Transmitter	
Turning Circle:	D/R 80%
Steering Expo:	-15%
Brake E.P. :	65%
Throttle Expo:	-30%
Speed Control	
S.C. Type:	
S.C. Settings:	

Motor	Gear	Notes
LRP X12 4.0	/	FDR 8.0

Body & Wing
Protoform Mazdaspeed 6 / 5mm overhang

Battery
Reedy IB4600 5-cell