

Rear	Alignment	Front
5.2	Ride Height	5
1.5	Camber	1.5
N/A	Caster	4
1	Rear Hub Toe	N/A
3 total	Toe	-1 out
.5mm	Hex Spacing	.5mm
2mm	Wheelbase	1mm
N/A	Steering Link	1A
N/A	Bumpsteer	2mm

Notes: Used all hard plastics

Differentials		
alloy diff	Type	spool
1/8 loose	Setting	
8	Belt Tension Number	1
A	Cam Holder	A

Notes:

Tires		
Jaco Blue	Tire	Jaco Blue
	Tire Diameter	
	Insert & Wheel	
SXT 2.0	Additive & Amount	SXT 2.0

Notes: Warmers for 35min @ 60deg C

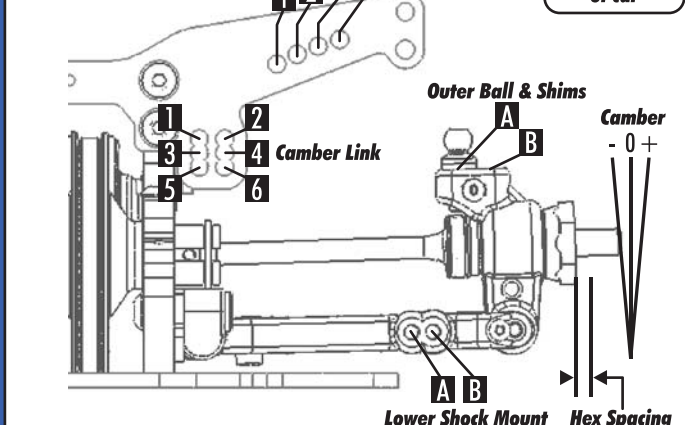
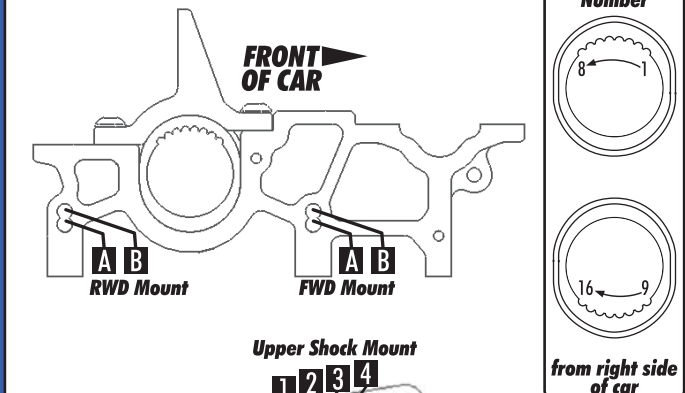
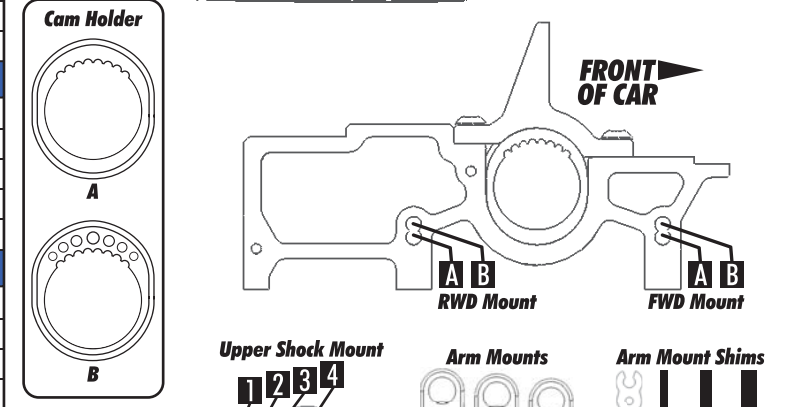
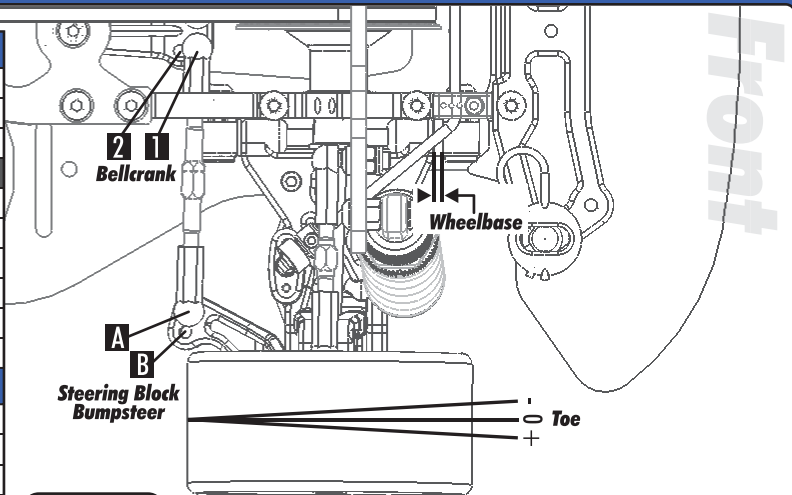
Shocks		
40wt	Oil	40wt
.57	Piston	.57
30%	Rebound Spring	30%
Silver	Spring	Gold

Notes: No rebound foams

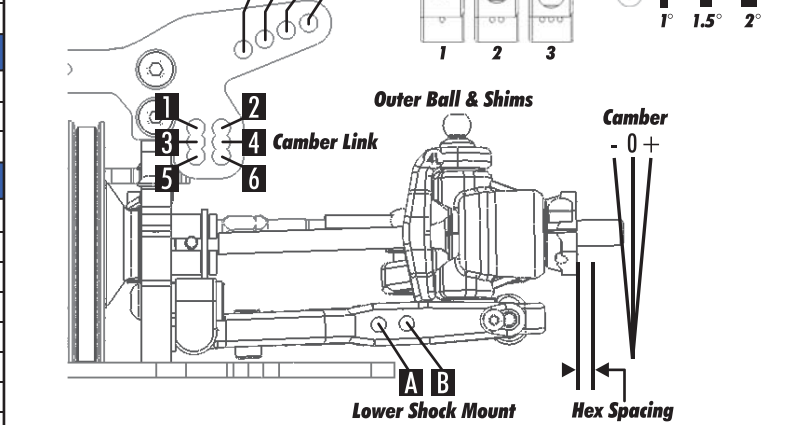
Chassis		
Chassis: Stock 2.5mm		
Top Plate: ITF 2.0mm		
Notes: O-rings used on top-plate		

Suspension Geometry		
3B	Shock Position	1B
3B	Camber Link Position	3
2mm	Outer Ball & Shims	0
2A	FWD Arm Mount	2A
0	FWD Mount Shims	0
2A	RWD Arm Mount	2A
2deg	RWD Mount Shims	0
4	Droop	4.5
no	Anti-Roll Bar	no

Notes: LiPo used and weight added for balance



Body & Wing	Battery
Speed 6/stock wing	5000 LiPo



Motor	Gear	Brush	Spring	Timing
LRP 4.0/12.5mm rotor	25 / 118			