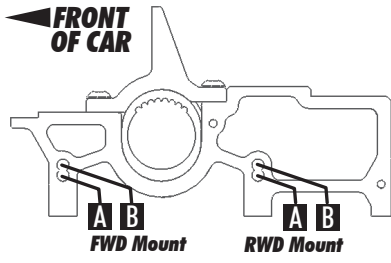
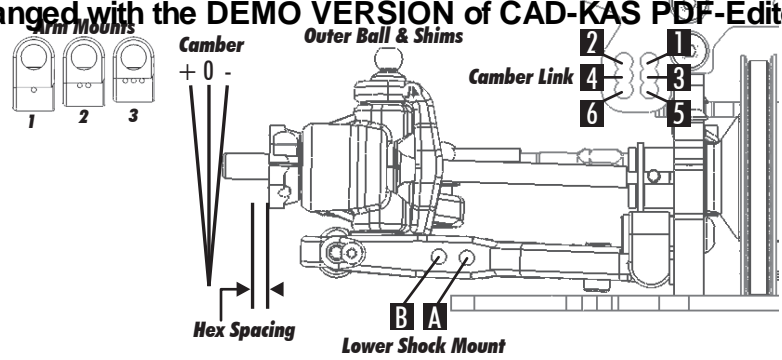
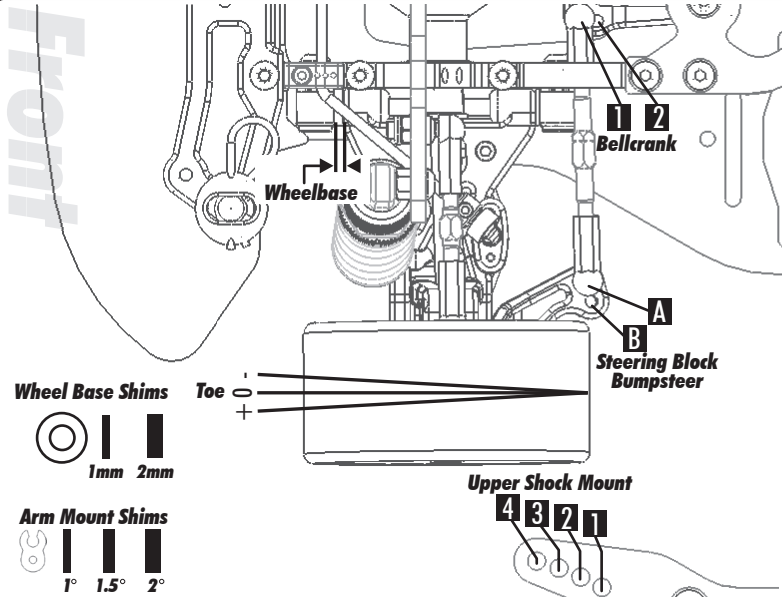


Name: \_\_\_\_\_ Date: \_\_\_\_\_  
 Event: \_\_\_\_\_ Track: \_\_\_\_\_  
 Conditions: \_\_\_\_\_

For Team Driver's setups, please visit [www.RC10.com](http://www.RC10.com) or [www.TeamAssociated.com](http://www.TeamAssociated.com)!



Front	Alignment	Rear
	Ride Height	
	Camber	
	Caster	N/A
N/A	Rear Hub Toe	
	Toe (Total)	
	Hex Spacing	
	Wheelbase	
	Steering Link	N/A
	Bumpsteer	N/A

Notes:

Suspension Geometry
Shock Position
Camber Link Position
Outer Ball & Shims
FWD Arm Mount
FWD Mount Shims
RWD Arm Mount
RWD Mount Shims
Anti-Roll Bar

Notes:

Shocks
Oil
Piston
Rebound
Spring

Notes:

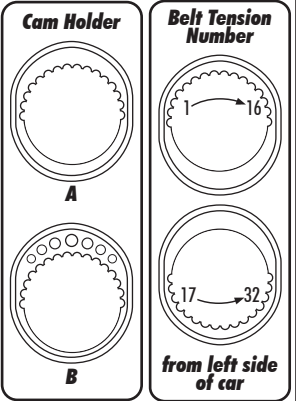
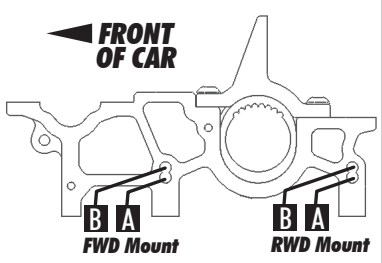
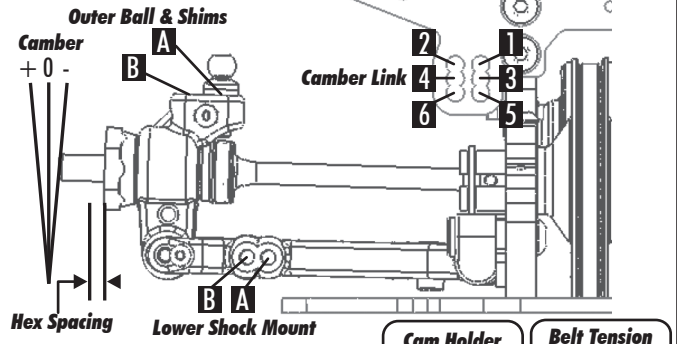
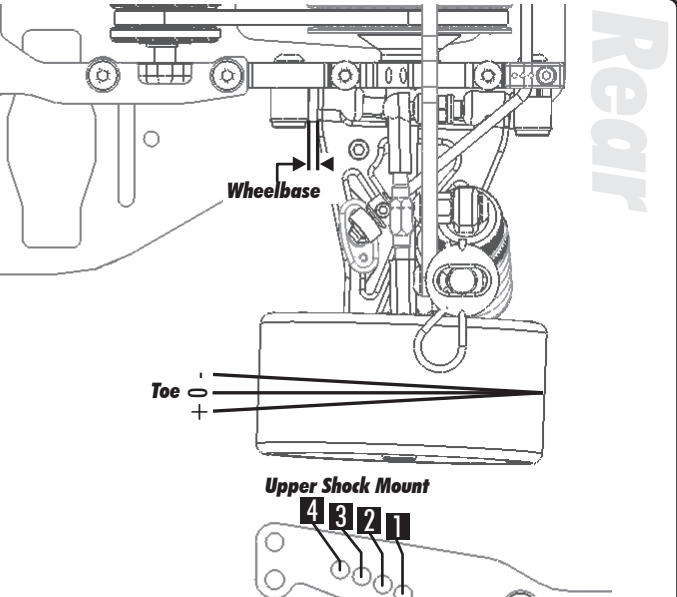
Differentials
Type
Setting
Cam Holder
Belt Tension Number

Notes:

Tires
Tire
Tire Diameter
Insert & Wheel
Additive & Amount

Notes:

Chassis
Chassis:
Top Plate:
Notes:



Transmitter
Turning Circle:
Steering Expo:
Brake E.P. :
Throttle Expo:
Speed Control
S.C. Type:
S.C. Settings:

Motor	Gear	Notes
	/	

Body & Wing	Battery