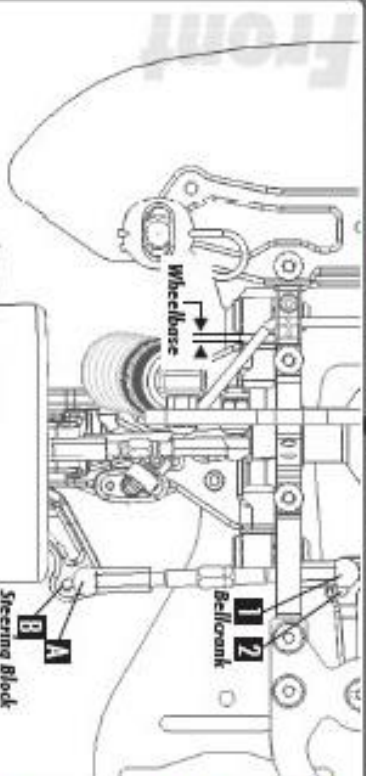


Name: cly jefferies
 Event: bca rd 1
 Conditions: cold, low traction

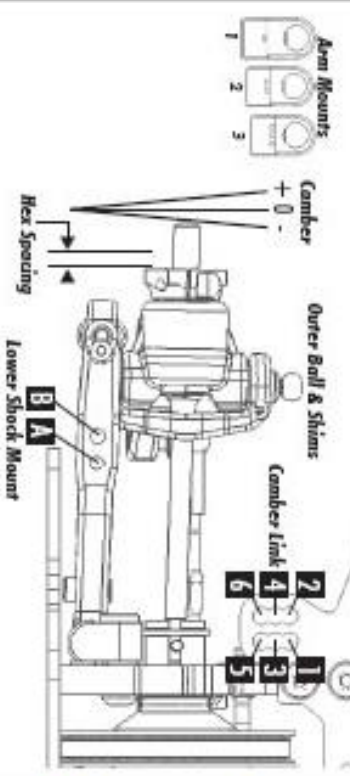
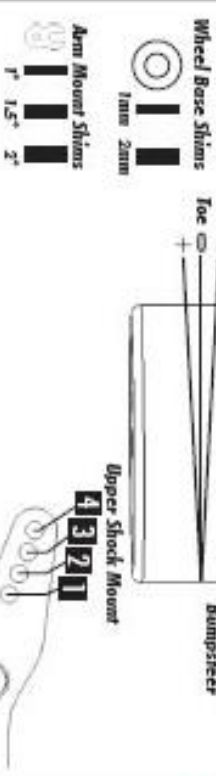
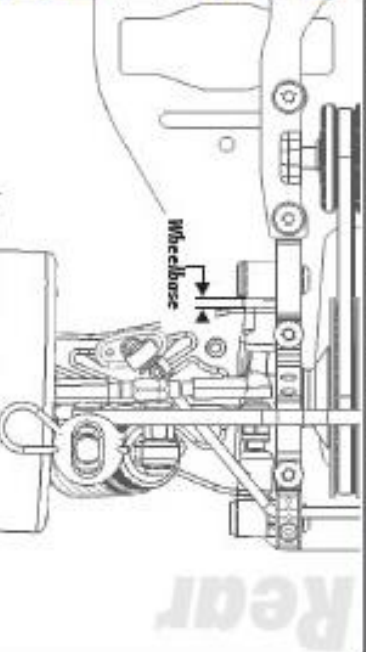
For Team Driver's setups, please visit www.RC10.com or www.TeamAssociated.com!

Reset Fields

Date: _____
 Track: wlc



Front	Alignment	Rear
6mm	Ride Height	6mm
1.5	Camber	1.5
4	Caster	N/A
N/A	Rear Hub Toe	0
0	Toe (Total)	3.5
0.5mm	Hex Spacing	0
2-1	Wheelbase	2-1
2b	Steering Link	N/A
3mm	Bumpsteer	N/A



Suspension Geometry	
18	Shock Position
1	Camber Link Position
0	Outer Ball & Shims
3A	FWD Arm Mount
0	FWD Mount Shims
3A	RWD Arm Mount
0	RWD Mount Shims
6	Droop
1.4	Anti-Roll Bar

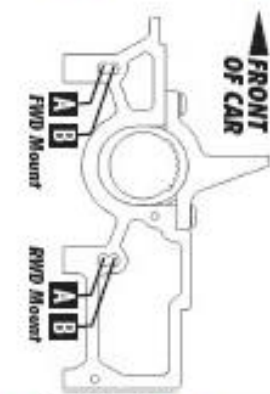
Shocks	
40	Oil
2	Piston
50%	Rebound
hpl pink	Spring

Differentials	
spool	type
n/a	Setting
b	Cam Holder
10	Belt Tension Number

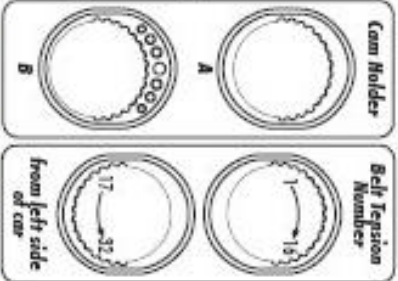
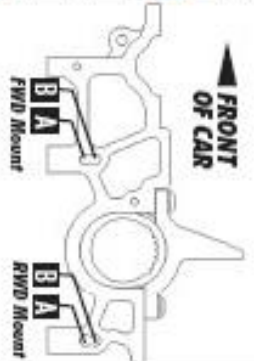
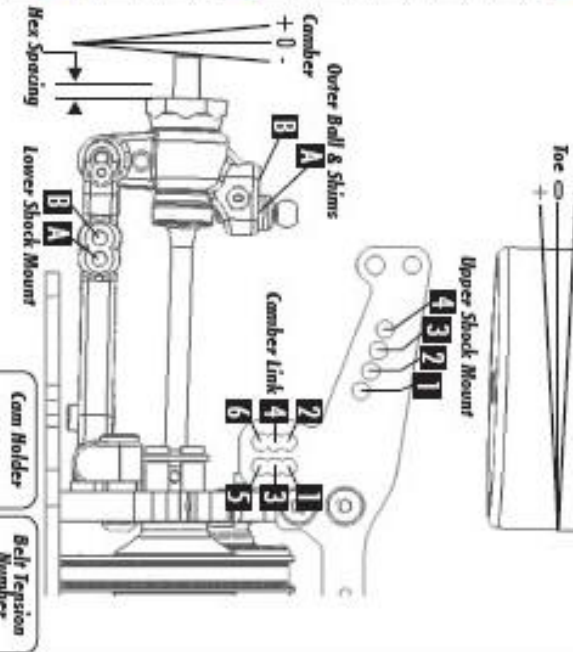
Tires	
sores 32	Tire
	Tire Diameter
	Insert & Wheel
tweak	Additive & Amount

Chassis	
Chassis: #f	
Top Plate: #f	
Notes:	

Transmitter	
Turning Circle:	-15
Steering Expo:	-5
Brake E.P.:	-5
Throttle Expo:	-10



Motor	Gear	Notes
lfp x12 4.0	27 / 116	



Body & Wing	Battery
mazda speed 6 light	