

Transmitter

Turning Circle: _____

Steering Expo: _____

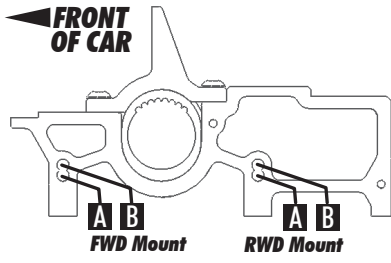
Brake E.P. : _____

Throttle Expo: _____

Speed Control

S.C. Type: _____

S.C. Settings: _____



Front	Alignment	Rear
	Ride Height	
	Camber	
	Caster	N/A
N/A	Rear Hub Toe	
	Toe (Total)	
	Hex Spacing	
	Wheelbase	
	Steering Link	N/A
	Bumpsteer	N/A

Notes:

Suspension Geometry

	Shock Position	
	Camber Link Position	
	Outer Ball & Shims	
	FWD Arm Mount	
	FWD Mount Shims	
	RWD Arm Mount	
	RWD Mount Shims	
	Droop	
	Anti-Roll Bar	

Notes:

Shocks

	Oil	
	Piston	
	Rebound	
	Spring	

Notes:

Differentials

	Type	
	Setting	
	Cam Holder	
	Belt Tension Number	

Notes:

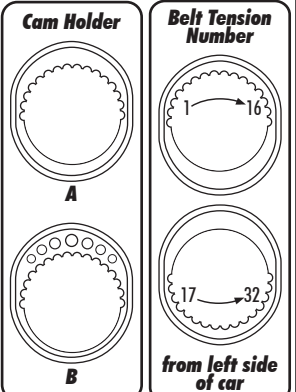
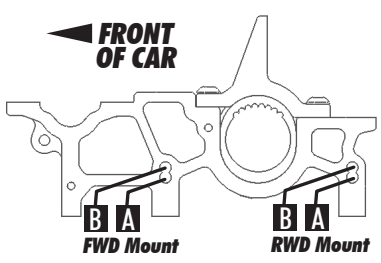
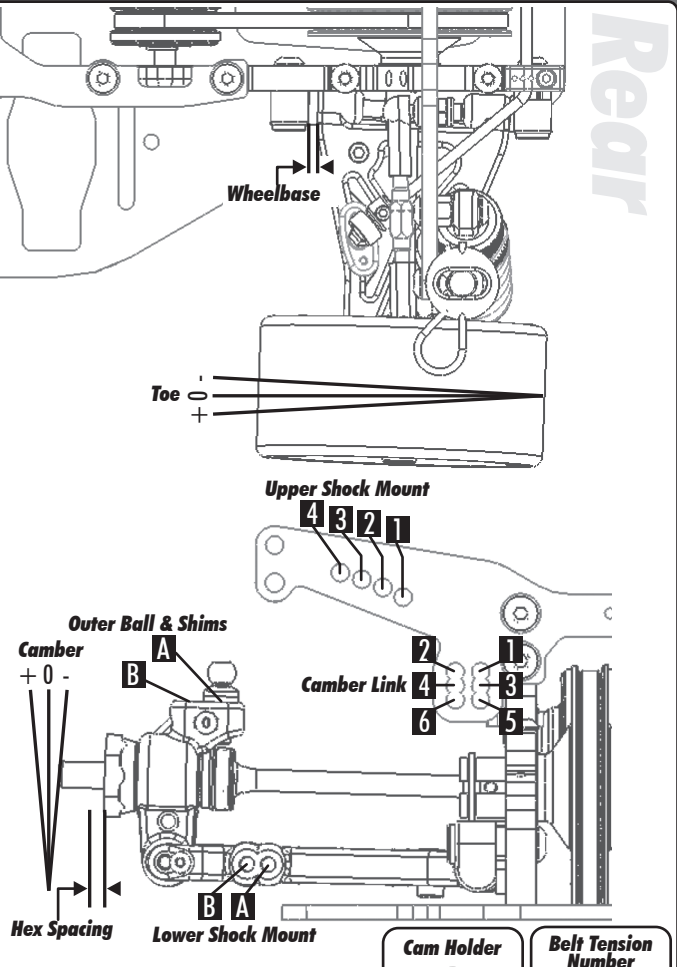
Tires

	Tire	
	Tire Diameter	
	Insert & Wheel	
	Additive & Amount	

Notes:

Chassis

	Chassis:	
	Top Plate:	
	Notes:	



Motor	Gear	Notes
	/	

Body & Wing

Battery