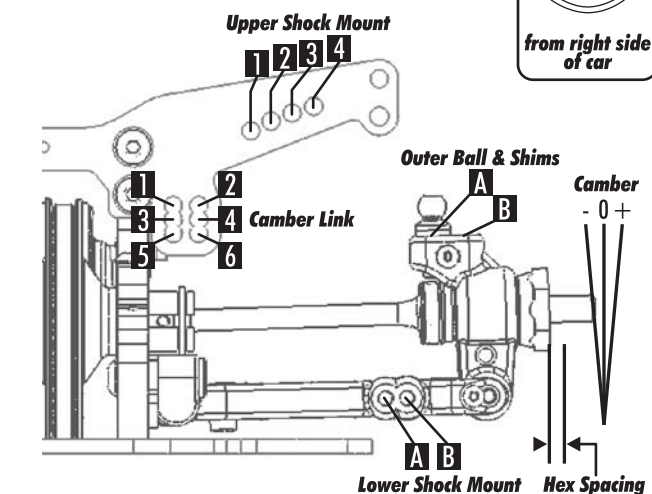
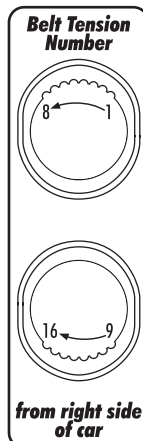
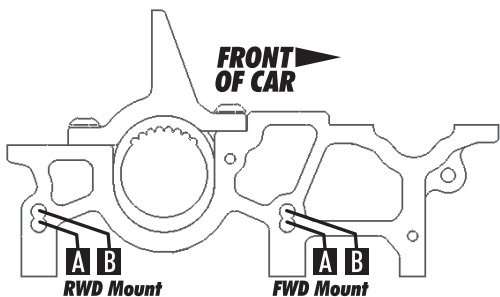
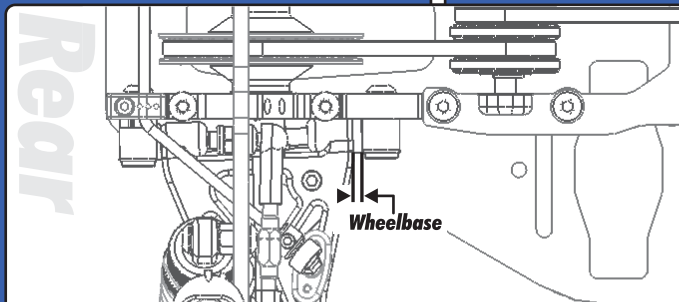


Name: Keven Hebert
Event: US Indoor Championships (Cleveland)
Conditions: High Traction Ozite Carpet With Paragon

Date: 11/2007
Track: Holiday Inn Ballroom

For Team Driver's setups, please visit www.RC10.com, www.TeamAssociated.com or www.CompetitionX.com!



Rear	Alignment	Front
4.75mm	Ride Height	4.5mm
-3 Deg	Camber	-2 Deg
N/A	Caster	6 Deg
1 Deg	Rear Hub Toe	N/A
1.5 Deg	Toe	+0.5 Deg
+0.5mm	Hex Spacing	+ 1.0mm
3mm	Wheelbase	2mm
N/A	Steering Link	1-B
N/A	Bumpsteer	Silver - 3mm

Notes:

Differentials		
Aluminum Diff	Type	Aluminum Diff
Standard	Setting	Standard
8	Belt Tension Number	1
B	Cam Holder	A

Notes:

Tires		
Parma Magenta	Tire	Parma Magenta
56.5mm	Tire Diameter	56.5mm
Big Wheel	Insert & Wheel	Big Wheel
Full	Additive & Amount	Inside 1/2

Notes: Paragon For 15 Minutes

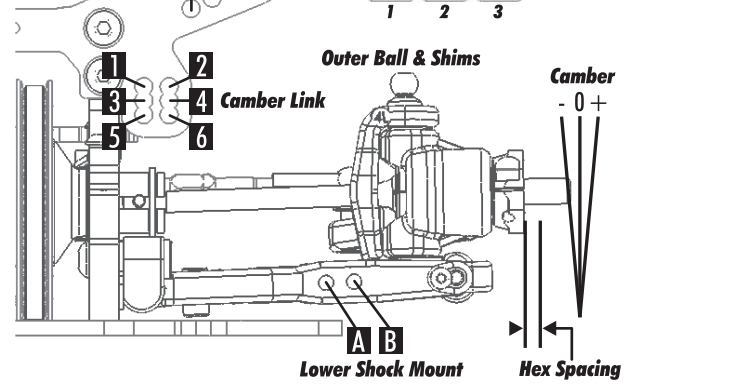
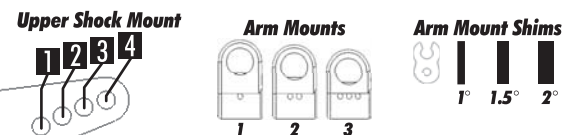
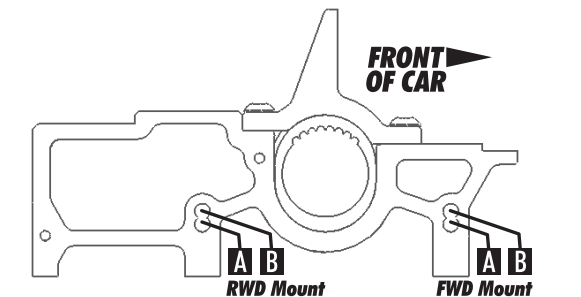
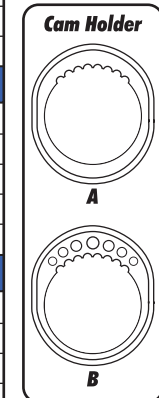
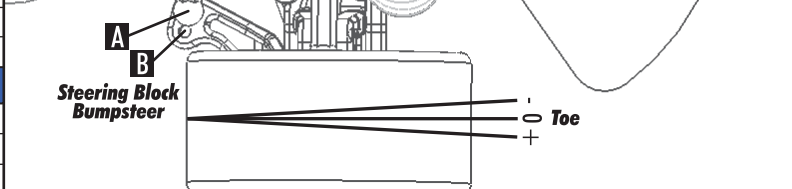
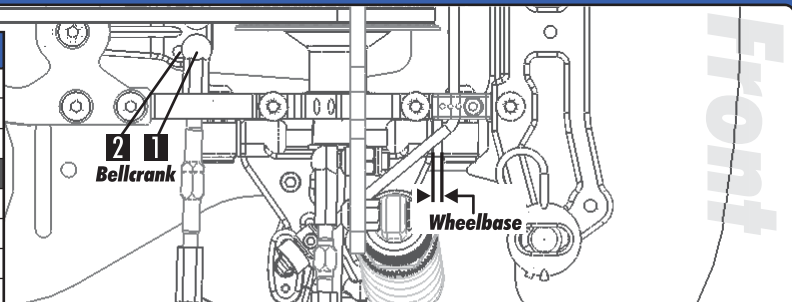
Shocks		
35wt	Oil	50wt
#56	Piston	#56
50%	Rebound	50%
Gold	Spring	Purple

Notes:

Chassis		
Chassis: Standard		
Top Plate: Standard		
Notes:		

Suspension Geometry		
3A	Shock Position	2A
5-B	Camber Link Position	4
Black - 2mm	Outer Ball & Shims	Black - 0mm
3A	FWD Arm Mount	2A
1.5 Deg	FWD Mount Shims	2 Deg
3A	RWD Arm Mount	2A
3 Deg	RWD Mount Shims	2 Deg
2mm	Droop	1.5mm
None	Anti-Roll Bar	None

Notes: Droop measured above ride height



Body & Wing
Parma Mohawk Lightweight

Battery
Reedy VMXR4200 6 Cell

Motor	Gear	Brush	Spring	Timing
LRP X-11 4.0 Turn	26 / 116	LRP Sphere Comp TC	Settings = 2/4/1/3	N/A