

Front	Alignment	Rear
5 mm	Ride Height	5 mm
-2 deg	Camber	-2 deg
4 deg	Caster	N/A
N/A	Rear Hub Toe	0
-1.5 deg	Toe (Total)	3.5 deg
0	Hex Spacing	0
0 mm	Wheelbase	1 mm
1-B	Steering Link	N/A
3 mm	Bumpsteer	N/A

Notes:

### Suspension Geometry

1-A	Shock Position	1-B
1	Camber Link Position	3-A
silver - 0	Outer Ball & Shims	silver - 1 mm
2A	FWD Arm Mount	2A
2 mm	FWD Mount Shims	0
2A	RWD Arm Mount	2A
2 mm	RWD Mount Shims	2.5 mm
6	Droop	5
black	Anti-Roll Bar	black

Notes:

### Shocks

AE 40	Oil	AE 40
#57	Piston	#57
10%	Rebound	10%
AE blue	Spring	AE silver

Notes: No rebound foam

### Differentials

slipper spool	Type	alum diff
n/a	Setting	standard
B	Cam Holder	B
19	Belt Tension Number	30

Notes:

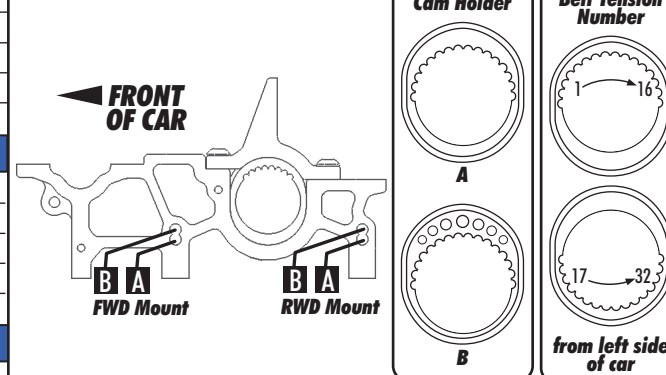
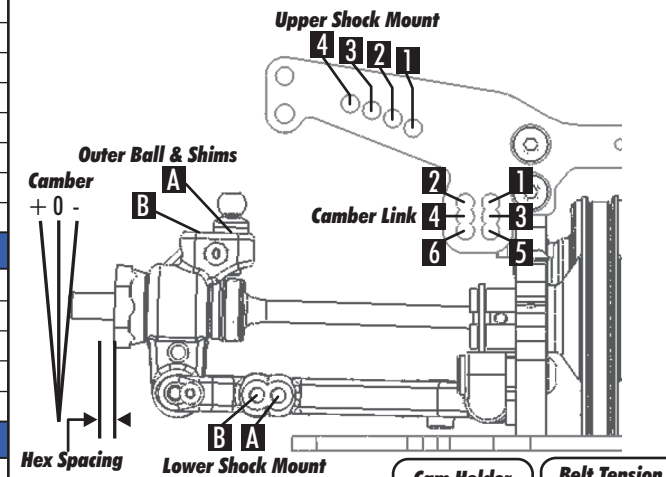
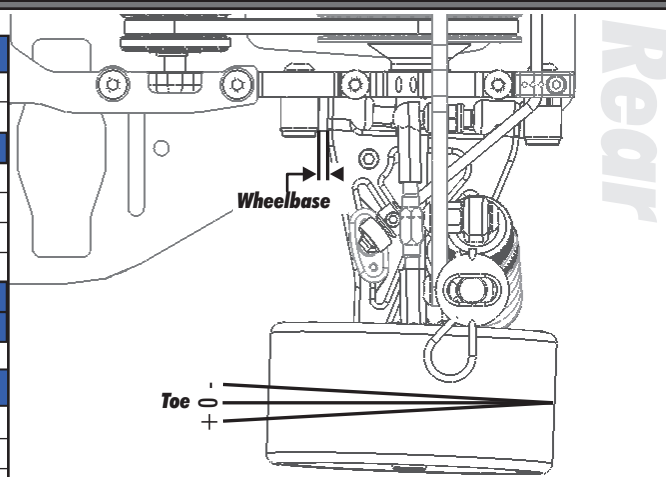
### Tires

Jaco blue	Tire	Jaco blue
n/a	Tire Diameter	n/a
n/a	Insert & Wheel	n/a
Ground Effects	Additive & Amount	Ground Effects

Notes: Full additive 5 minutes front and rear

### Chassis

Chassis: 2.5 mm  
 Top Plate: ITF  
 Notes: All hard plastic parts



### Transmitter

Turning Circle:  
 Steering Expo:  
 Brake E.P. :  
 Throttle Expo:

### Speed Control

S.C. Type:  
 S.C. Settings:

Motor	Gear	Notes
LRP X12 4.)	21 / 87	FDR 8.3:1

Body & Wing	Battery
Protoform Mazdaspeed 6 / 5mm overhang	Reedy IB4600 5-cell