

Body & Wing

Battery

| Rear | Alignment | Front |
|------|---------------|-------|
| | Ride Height | |
| | Camber | |
| N/A | Caster | |
| | Rear Hub Toe | N/A |
| | Toe | |
| | Hex Spacing | |
| N/A | Wheelbase | |
| N/A | Steering Link | |
| N/A | Bumpsteer | |

Notes:

| Differentials | | |
|---------------|---------------------|--|
| | Type | |
| | Setting | |
| | Belt Tension Number | |
| | Cam Holder | |

Notes:

| Tires | | |
|-------|-------------------|--|
| | Tire | |
| | Tire Diameter | |
| | Insert & Wheel | |
| | Additive & Amount | |

Notes:

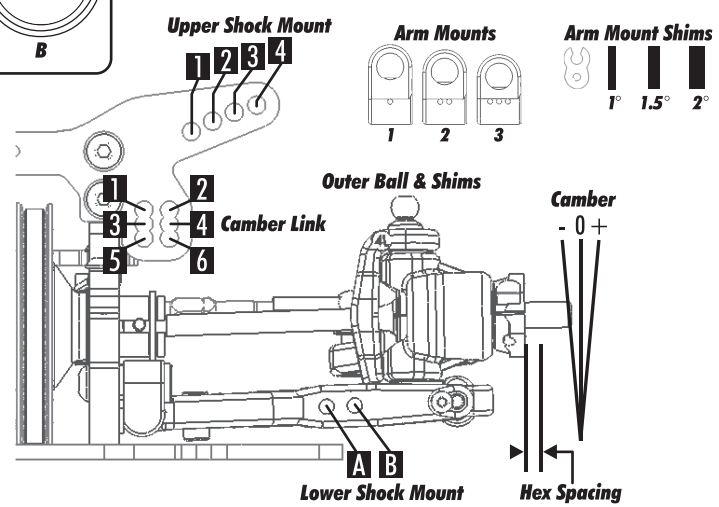
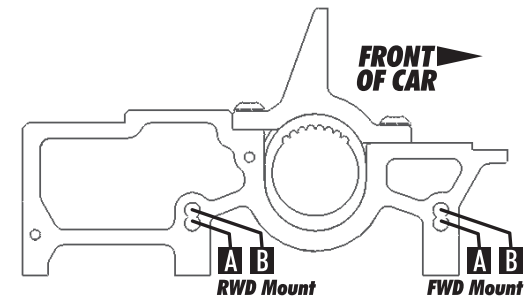
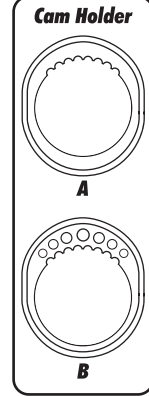
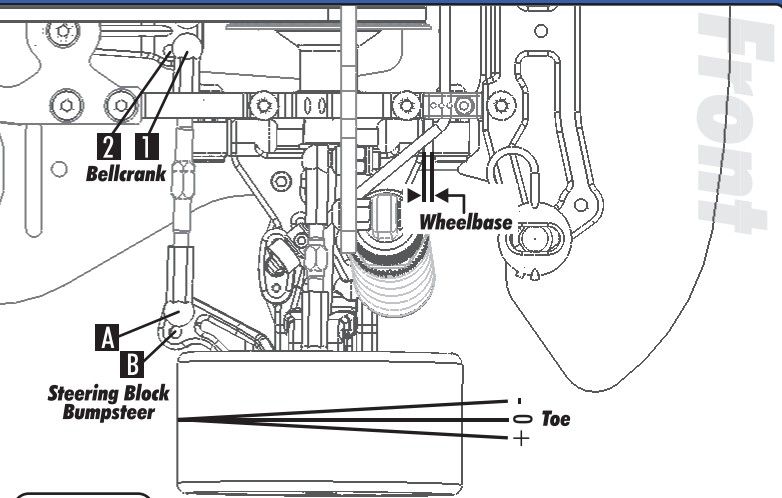
| Shocks | | |
|--------|---------|--|
| | Oil | |
| | Piston | |
| | Rebound | |
| | Spring | |

Notes:

| Chassis | | |
|---------|------------|--|
| | Chassis: | |
| | Top Plate: | |

| Suspension Geometry | | |
|---------------------|----------------------|--|
| | Shock Position | |
| | Camber Link Position | |
| | Outer Ball & Shims | |
| | FWD Arm Mount | |
| | FWD Mount Shims | |
| | RWD Arm Mount | |
| | RWD Mount Shims | |
| | Droop | |
| | Anti-Roll Bar | |

Notes:



Motor

Gear

Brush

Spring

Timing