

Front	Alignment	Rear
5 mm	Ride Height	5.2mm
-2 deg	Camber	-2.5 deg
4 deg	Caster	N/A
N/A	Rear Hub Toe	1 deg
	Toe (Total)	3 deg
+1 mm	Hex Spacing	stk
2mm	Wheelbase	1mm
2-b	Steering Link	N/A
1mm	Bumpsteer	N/A

Notes:

Suspension Geometry		
2-b	Shock Position	3-b
2	Camber Link Position	2-b
black+1mm	Outer Ball & Shims	silver+1mm
1-a	FWD Arm Mount	2-a
none	FWD Mount Shims	1mm
1-a	RWD Arm Mount	2-a
none	RWD Mount Shims	3mm
1.5mm over	Droop	2mm over
silver	Anti-Roll Bar	black

Notes:

Shocks		
40wt	Oil	35wt
3 hole #57	Piston	3 hole #57
100%	Rebound	100%
blue	Spring	silver

Notes:

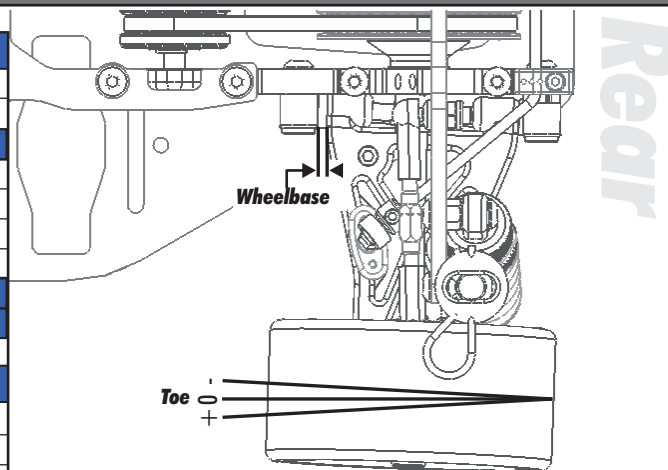
Differentials		
oneway	Type	aluminum
	Setting	med-loose
a	Cam Holder	a
1	Belt Tension Number	14

Notes:

Tires		
jaco blue	Tire	jaco blue
premount	Tire Diameter	premount
jack-3/4	Insert & Wheel	jack-full
	Additive & Amount	jack-full

Notes:

Chassis		
Chassis: itf		
Top Plate: itf		
Notes: full foam in bladder		



Transmitter	
Turning Circle:	5ft
Steering Expo:	
Brake E.P. :	
Throttle Expo:	
Speed Control	
S.C. Type:	lrp
S.C. Settings:	1-8-2-2

Motor	Gear	Notes
trinity13.5-10.5	/	

Body & Wing	Battery
mazda6 or speed 6	trinity 3800 lipo