

Alignment	Rear	Front
Ride Height		
Camber	N/A	
Caster		N/A
Rear Hub Toe		
Toe		
Hex Spacing		
Wheelbase		
Steering Link		
Bumpsteer		

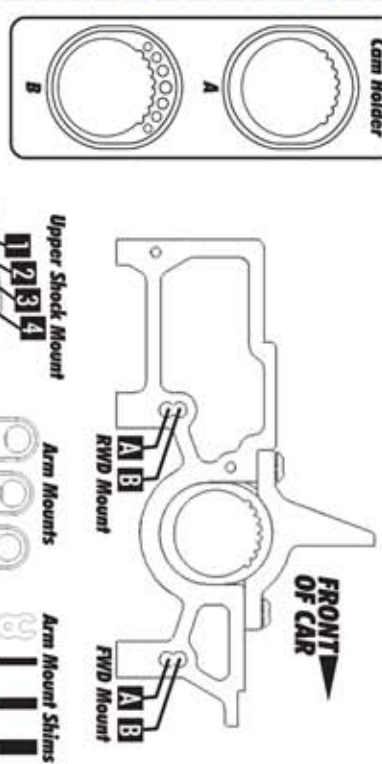
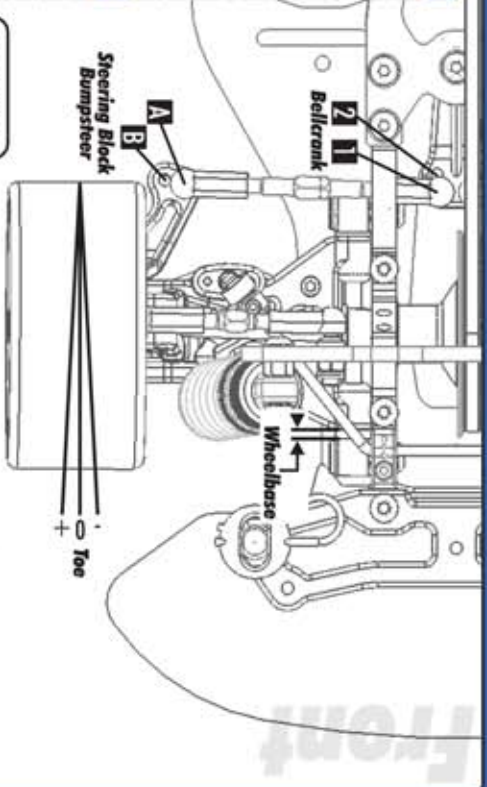
Differentials	Notes:
Type	
Setting	
Belt Tension Number	
Cam Holder	

Tires	Notes:
Tire	
Tire Diameter	
Insert & Wheel	
Additive & Amount	

Shocks	Notes:
Oil	
Piston	
Rebound	
Spring	

Chassis	Notes:
Chassis	
Top Plate	

Suspension Geometry	Notes:
Shock Position	
Camber Link Position	
Outer Ball & Shims	
FWD Arm Mount	
FWD Mount Shims	
RWD Arm Mount	
RWD Mount Shims	
Droop	
Anti-Roll Bar	



Alignment	Rear	Front
Ride Height		
Camber		
Caster		
Rear Hub Toe		
Toe		
Hex Spacing		
Wheelbase		
Steering Link		
Bumpsteer		

Differentials	Notes:
Type	
Setting	
Belt Tension Number	
Cam Holder	

Tires	Notes:
Tire	
Tire Diameter	
Insert & Wheel	
Additive & Amount	

Shocks	Notes:
Oil	
Piston	
Rebound	
Spring	

Chassis	Notes:
Chassis	
Top Plate	

Suspension Geometry	Notes:
Shock Position	
Camber Link Position	
Outer Ball & Shims	
FWD Arm Mount	
FWD Mount Shims	
RWD Arm Mount	
RWD Mount Shims	
Droop	
Anti-Roll Bar	

Body & Wing

Battery

Motor

Gear

Brush

Spring

Timing