

Front	Alignment	Rear
5	Ride Height	5.25
2	Camber	2
6	Caster	N/A
N/A	Rear Hub Toe	0
0	Toe (Total)	3.5
1mm	Hex Spacing	0.5mm
3mm	Wheelbase	3mm
2B	Steering Link	N/A
3mm	Bumpsteer	N/A

Notes: all hard plastic parts

Suspension Geometry		
2a	Shock Position	2b
1	Camber Link Position	1a
black / 0	Outer Ball & Shims	black / 2mm
3b	FWD Arm Mount	3b
1mm	FWD Mount Shims	1
3b	RWD Arm Mount	3b
1mm	RWD Mount Shims	4mm
7	Droop	6
black	Anti-Roll Bar	black

Notes:

Shocks		
ae 55wt	Oil	ae 55wt
ae 2	Piston	ae 2
50%	Rebound	50%
silver	Spring	green

Notes:

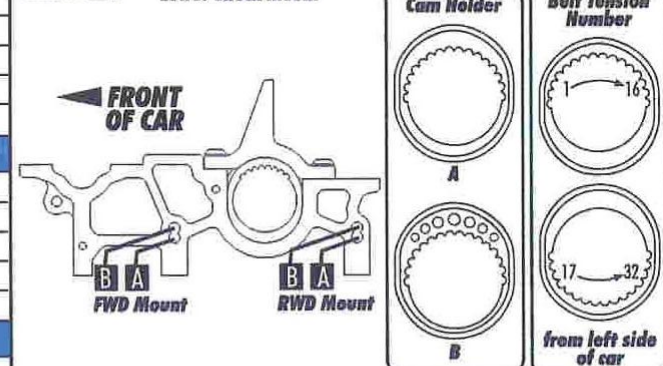
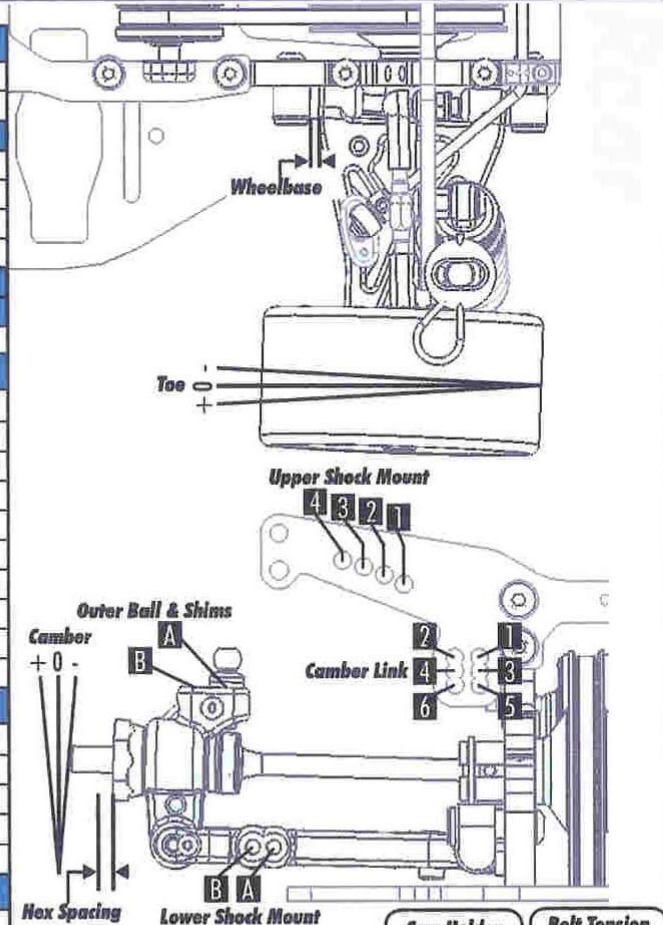
Differentials		
slipper spool	Type	Alu
	Setting	back 1/4
a	Cam Holder	a
4	Belt Tension Number	6

Notes:

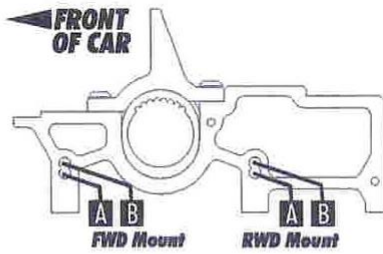
Tires		
sorex 2B	Tire	
n/a	Tire Diameter	
pre glue	Insert & Wheel	
lrp 2	Additive & Amount	

Notes: control tyre - additive 30 min rear, 10min front

Chassis		
Chassis: ITF		
Top Plate: ITF - O rings on fwd 2 of rear mount screws		
Notes:		



Transmitter	
Turning Circle:	
Steering Expo:	
Brake E.P.:	
Throttle Expo:	
Speed Control	
S.C. Type:	
S.C. Settings:	



Motor	Gear	Notes
novak 3.5 -13mm	116 / 23	

Body & Wing
protoform light mazda speed / std

Battery
reedy IB4600