

Front	Alignment	Rear
5	Ride Height	5.25
2	Camber	2
4	Caster	N/A
N/A	Rear Hub Toe	0
0	Toe (Total)	3.5
0.5mm	Hex Spacing	0
1mm	Wheelbase	2mm
2B	Steering Link	N/A
3mm	Bumpsteer	N/A

Notes: all hard plastic parts

Suspension Geometry		
1b	Shock Position	1b
3	Camber Link Position	3a
black / 0	Outer Ball & Shims	black / 2mm
1b	FWD Arm Mount	3a
0	FWD Mount Shims	0
1b	RWD Arm Mount	3a
0	RWD Mount Shims	3mm
7	Droop	6
black	Anti-Roll Bar	black

Notes:

Shocks		
ae 55wt	Oil	ae 55wt
ae 2	Piston	ae 2
50%	Rebound Spring	50%
blue	Spring	silver

Notes:

Differentials		
solid spool	Type	Alu
n/a	Setting	back 1/4
a	Cam Holder	a
4	Belt Tension Number	6

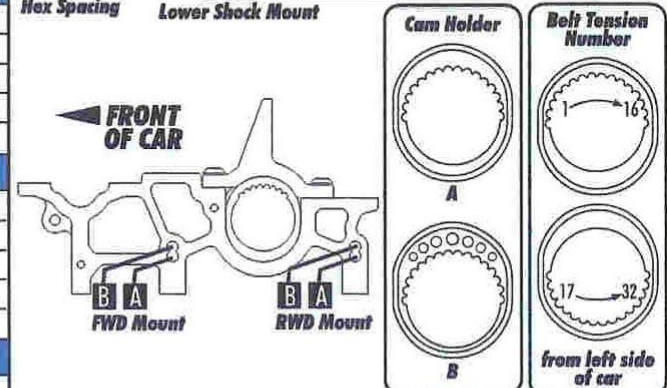
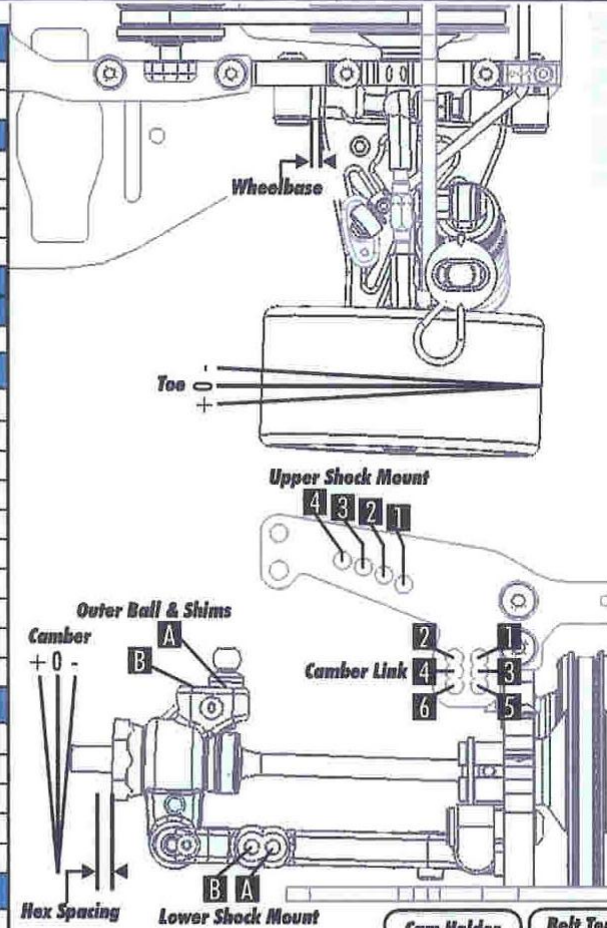
Notes:

Tires		
VTEC 27	Tire	
n/a	Tire Diameter	
pre glue	Insert & Wheel	
jack	Additive & Amount	

Notes: control tyre & add 15 min rear, 10 front on 3/4 tyre

Chassis		
Chassis: ITF		
Top Plate: ITF - O rings on fwd 2 of rear mount screws		

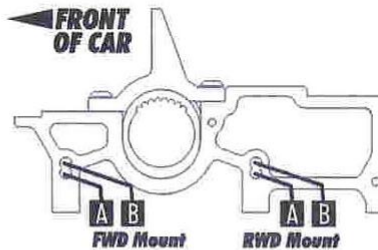
Notes:



Body & Wing
 protoform light mazda 6 / std

Battery
 Reedy lipo

Transmitter	
Turning Circle:	
Steering Expo:	
Brake E.P.:	
Throttle Expo:	
Speed Control	
S.C. Type:	
S.C. Settings:	



Motor	Gear	Notes
novak 10.5 - 12.3mm	100 / 40	