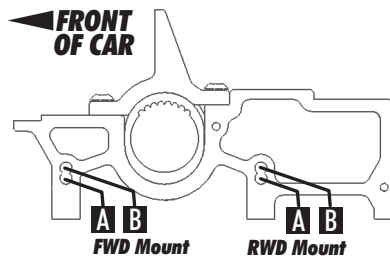
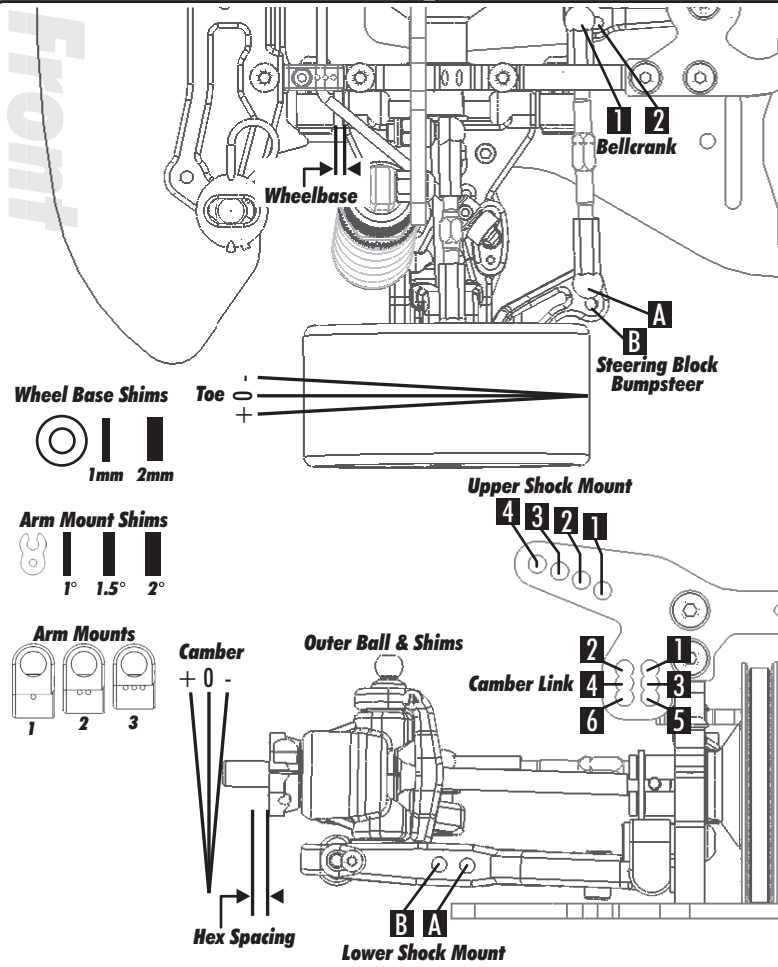


Name: Zak Smith
 Event: National warm up
 Conditions: Dry

Date: 9/5/2010
 Track: Mendip

For Team Driver's setups, please visit www.RC10.com or www.TeamAssociated.com!

Reset Fields



Front	Alignment	Rear
6	Ride Height	6
2	Camber	2
4	Caster	N/A
N/A	Rear Hub Toe	0
0.5 in	Toe (Total)	3
0.5	Hex Spacing	0
1	Wheelbase	3
2B	Steering Link	N/A
3mm	Bumpsteer	N/A

Notes:

Suspension Geometry		
2A	Shock Position	2B
5	Camber Link Position	5B
Black	Outer Ball & Shims	Black+1mm
3A	FWD Arm Mount	3A
1.5mm	FWD Mount Shims	0
3A	RWD Arm Mount	3A
1mm	RWD Mount Shims	2.5mm
5	Droop	4
Silver	Anti-Roll Bar	Black

Notes: Hard front and rear arms

Shocks		
45wt	Oil	45wt
ae 2	Piston	ae 2
None	Rebound	None
Blue	Spring	Blue

Notes: ae springs and oil

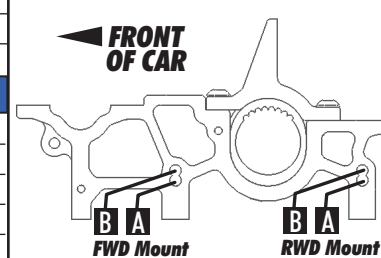
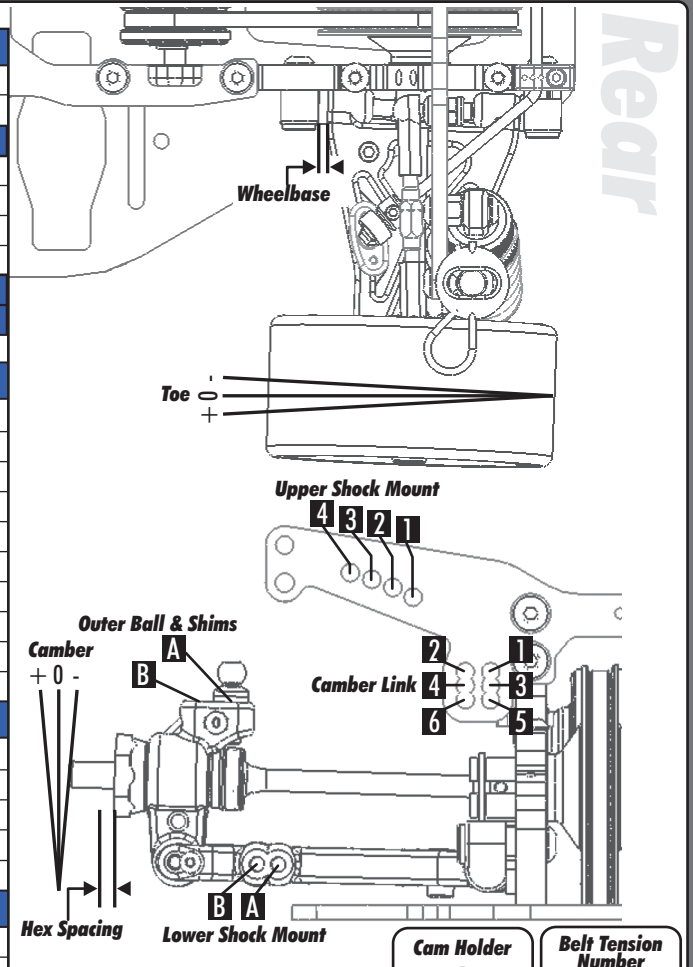
Differentials		
Spool	Type	Diff
	Setting	1/4 out
A	Cam Holder	A
4	Belt Tension Number	1

Notes: TR Spool

Tires		
Sorex 32	Tire	Sorex 32
	Tire Diameter	
	Insert & Wheel	
Nosram	Additive & Amount	Full

Notes: Clean with Wurth/Warm 20 min

Chassis		
Chassis: ITF		
Top Plate: ITF		
Notes: Split rear bulkheads with c-brace		



Transmitter	
Turning Circle:	
Steering Expo:	-25
Brake E.P. :	
Throttle Expo:	
Speed Control	
S.C. Type:	GM 120/2010
S.C. Settings:	mode 9

Motor	Gear	Notes
Novak Ballistic 10.5	34 /110	

Body & Wing
LTC-R Lightweight

Battery
Reedy 4900