

Front	Alignment	Rear
5.0	Ride Height	5.0
-1.75	Camber	-2.0
4	Caster	N/A
N/A	Rear Hub Toe	1.0
-0.5	Toe (Total)	3.0
0.5	Hex Spacing	1.0
2mm	Wheelbase	2mm
2A	Steering Link	N/A
1mm-black	Bumpsteer	N/A

Notes: Standard servo position and servo horn.

Suspension Geometry		
2B	Shock Position	2B
5	Camber Link Position	3A
2.5mm-silver	Outer Ball & Shims	3mm-black
1A	FWD Arm Mount	2A
1.5 deg	FWD Mount Shims	0
1A	RWD Arm Mount	2A
0	RWD Mount Shims	1.5 deg
2mm uptravel	Droop	3mm uptravel
1.25	Anti-Roll Bar	none

Notes: Hard parts

Shocks		
35W AE	Oil	35W AE
Losi 57	Piston	Losi 57
0	Rebound	0
Silver	Spring	Silver

Notes: Drilled hole in shock caps

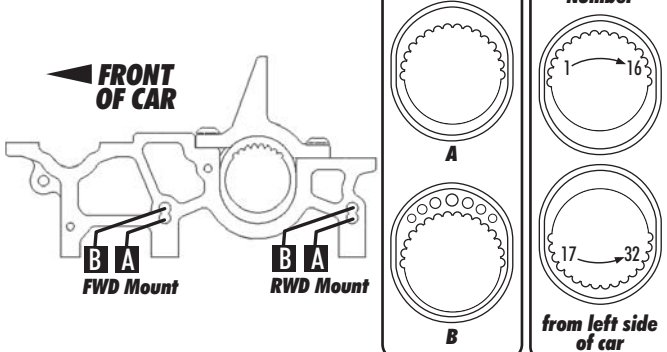
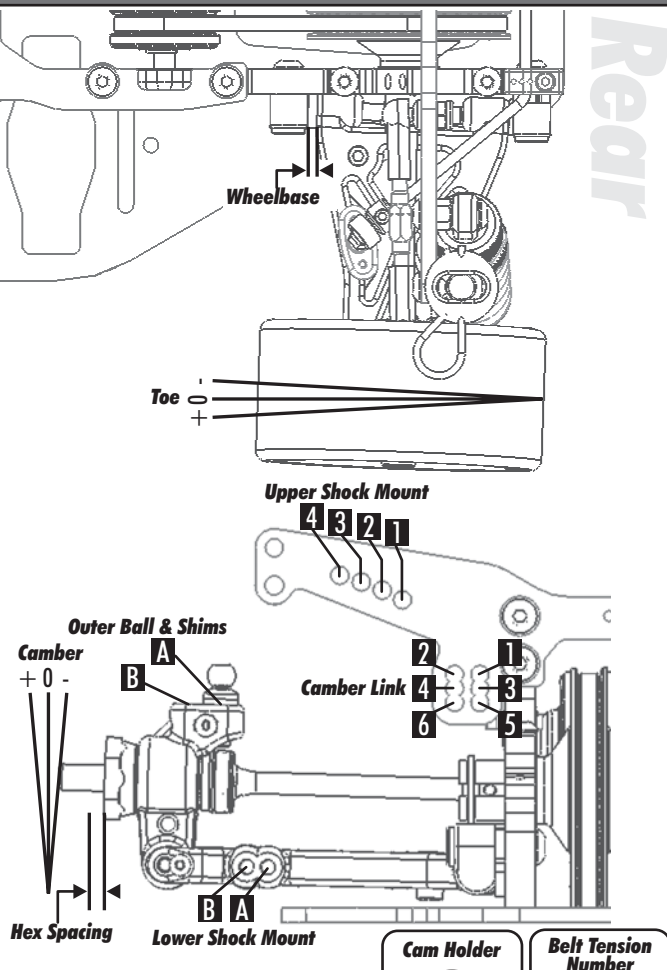
Differentials		
Slipper Spool	Type	Diff
Locked	Setting	Smooth
mid-high	Cam Holder	mid-low
3	Belt Tension Number	23

Notes:

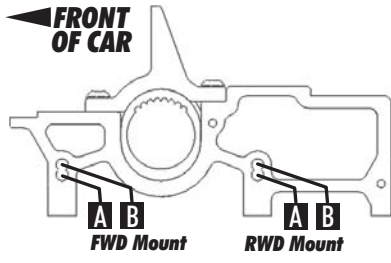
Tires		
Jaco Blue	Tire	Jaco Blue
Prism	Tire Diameter	Prism
Jack 3/4	Insert & Wheel	Jack Full
	Additive & Amount	Jack Full

Notes:

Chassis		
Chassis: ITF, stock bulkheads and motor mount		
Top Plate: ITF		
Notes: o-rings under 4 middle top deck screws		



Transmitter	
Turning Circle:	4ft
Steering Expo:	0%
Brake E.P. :	75%
Throttle Expo:	0%
Speed Control	
S.C. Type:	LRP SXX Stock Spec
S.C. Settings:	0,6,3,0



Motor	Gear	Notes
LRP x12 13.5 / 17.5	29 / 108	4-dot on both motors, 17.5 geared at 36

Body & Wing
Protoform LTC-R

Battery
Reedy 35C 5000