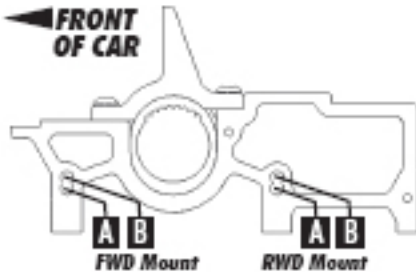


Transmitter	
Turning Circle:	
Steering Expo:	-15
Brake E.P.:	-5
Throttle Expo:	-5
Speed Control	
S.C. Type:	SXX
S.C. Settings:	1400



Front	Alignment	Rear
6mm	Ride Height	6mm
1.5	Camber	1.5
4	Caster	N/A
N/A	Rear Hub Toe	0
0	Toe (Total)	3.5
0.5	Hex Spacing	0
2-1	Wheelbase	2--1
2b	Steering Link	N/A
3mm	Bumpsteer	N/A

Notes:

Suspension Geometry		
1b	Shock Position	2b
1	Camber Link Position	1a
black	Outer Ball & Shims	black 2mm
3a	FWD Arm Mount	3a
0	FWD Mount Shims	0
3a	RWD Arm Mount	3a
0	RWD Mount Shims	2.6mm
5.5	Droop	5.5
gold	Anti-Roll Bar	silver

Notes:

Shocks		
#450	Oil	#450
#2	Piston	#2
50%	Rebound	50%
hpi pink	Spring	hpi pink

Notes:

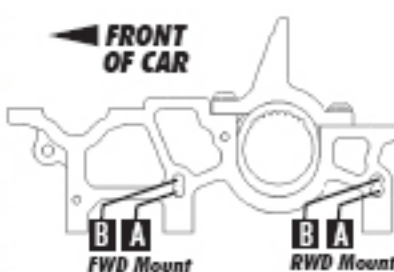
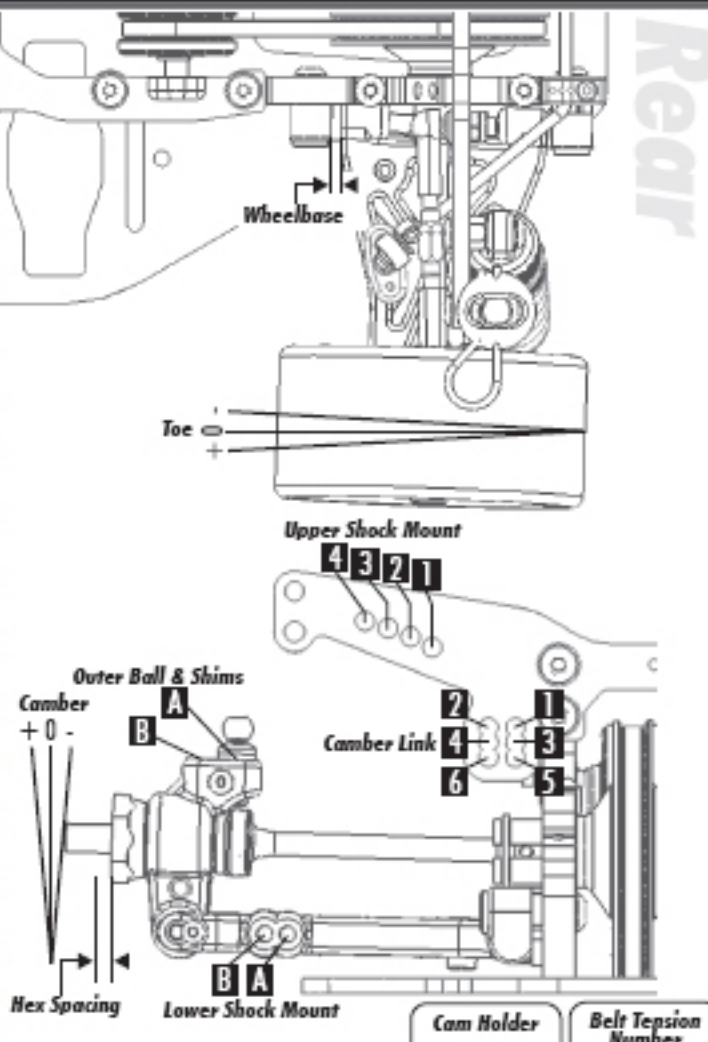
Differentials		
spool	Type	diff
--	Setting	1 turn tight
b	Cam Holder	b
6	Belt Tension Number	14

Notes:

Tires		
sorex 32	Tire	sorex 32
	Tire Diameter	
	Insert & Wheel	
tweak 20 min	Additive & Amount	tweak 20 min

Notes:

Chassis		
Chassis:	2.5mm	
Top Plate:	1/8 2mm	
Notes:	middle screws removed under bulkhead	



Body & Wing	
light speed 6	

Battery	
lip 5300 40c lipo	