

RACE

TRACK

NAME

CITY / COUNTRY

DATE

TEMPERATURE	AIR	TRACK	
QUALIFYING POSITION	BEST LAP TIME	FINAL POSITION	RACE LENGTH
	SEC		MIN
TRACK CONDITION	<input type="checkbox"/> TECHNICAL	<input checked="" type="checkbox"/> MIXED	<input type="checkbox"/> FAST
TRACTION	<input type="checkbox"/> LOW	<input checked="" type="checkbox"/> MEDIUM	<input type="checkbox"/> HIGH

GEAR RATIO CHART

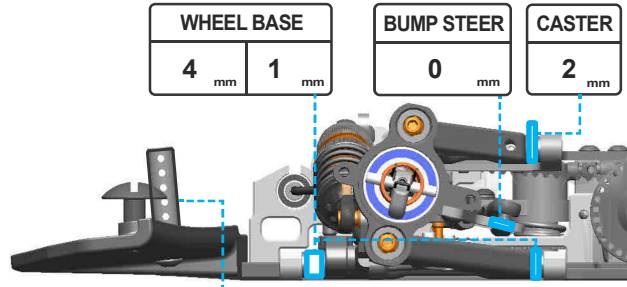
Spur Pinion \	56	57	58	60	61	62
22	<input type="checkbox"/> 6.11	<input type="checkbox"/> 6.22	<input type="checkbox"/> 6.33	<input type="checkbox"/> 6.55	<input type="checkbox"/> 6.65	<input type="checkbox"/> 6.76
23	<input type="checkbox"/> 5.84	<input type="checkbox"/> 5.95	<input type="checkbox"/> 6.05	<input type="checkbox"/> 6.26	<input type="checkbox"/> 6.37	<input type="checkbox"/> 6.47
24	<input type="checkbox"/> 5.60	<input type="checkbox"/> 5.70	<input type="checkbox"/> 5.80	<input type="checkbox"/> 6.00	<input type="checkbox"/> 6.10	<input type="checkbox"/> 6.20
25	<input type="checkbox"/> 5.38	<input type="checkbox"/> 5.47	<input type="checkbox"/> 5.57	<input type="checkbox"/> 5.76	<input type="checkbox"/> 5.86	<input type="checkbox"/> 5.95
26	<input type="checkbox"/> 5.17	<input type="checkbox"/> 5.26	<input type="checkbox"/> 5.35	<input type="checkbox"/> 5.54	<input type="checkbox"/> 5.63	<input type="checkbox"/> 5.72
27	<input type="checkbox"/> 4.98	<input checked="" type="checkbox"/> 5.07	<input type="checkbox"/> 5.16	<input type="checkbox"/> 5.33	<input type="checkbox"/> 5.42	<input type="checkbox"/> 5.51
28	<input type="checkbox"/> 4.80	<input type="checkbox"/> 4.89	<input type="checkbox"/> 4.97	<input type="checkbox"/> 5.14	<input type="checkbox"/> 5.23	<input type="checkbox"/> 5.31
29	<input type="checkbox"/> 4.63	<input type="checkbox"/> 4.72	<input type="checkbox"/> 4.80	<input type="checkbox"/> 4.97	<input type="checkbox"/> 5.05	<input type="checkbox"/> 5.13
30	<input type="checkbox"/> 4.48	<input type="checkbox"/> 4.56	<input type="checkbox"/> 4.64	<input type="checkbox"/> 4.80	<input type="checkbox"/> 4.88	<input type="checkbox"/> 4.96

Front		SHOCK		Rear	
OIL	SHOCK PISTON	OIL		OIL	
800 CST		800 CST		800 CST	
SPRING	HOLE SIZE	SPRING		SPRING	
White	F 1.0 mm R 1.0 mm	White		White	

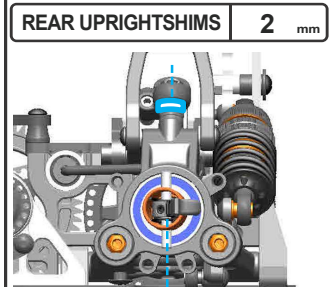
Front		TIRE		Rear	
Front Left	32°	Tire Shore	Rear Left	35°	
Front Right	32°		Rear Right	35°	
Front Left	68 mm	Tire Ø	Rear Left	75 mm	
Front Right	68 mm		Rear Right	75 mm	
Tire Additive					

BODY		
Bumper	BODY MOUNT DISTANCE	
<input checked="" type="checkbox"/> Standard <input type="checkbox"/> Cut	21 mm	
BODY	SPEED WING	5 mm

NOTE

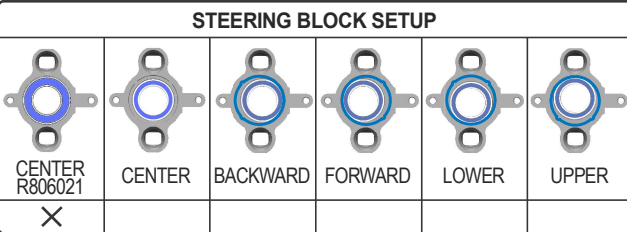


WHEEL BASE	BUMP STEER	CASTER
4 mm 1 mm	0 mm	2 mm

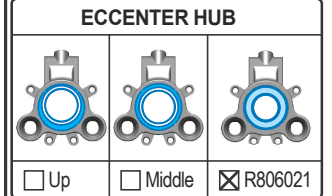


REAR UPRIGHTSHIMS	2 mm
-------------------	------

TOWER POSITION	+4 mm	FRONT ARM	<input type="checkbox"/> S <input checked="" type="checkbox"/> M <input type="checkbox"/> H
----------------	-------	-----------	---

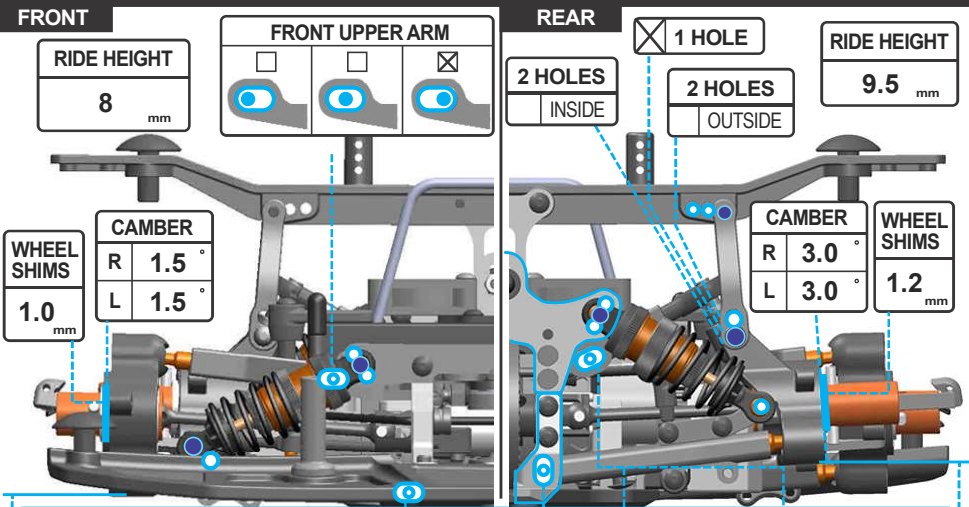


STEERING BLOCK SETUP					
<input checked="" type="checkbox"/> CENTER R806021	<input type="checkbox"/> CENTER	<input type="checkbox"/> BACKWARD	<input type="checkbox"/> FORWARD	<input type="checkbox"/> LOWER	<input type="checkbox"/> UPPER
X					



ECCENTER HUB		
<input type="checkbox"/> Up	<input type="checkbox"/> Middle	<input checked="" type="checkbox"/> R806021

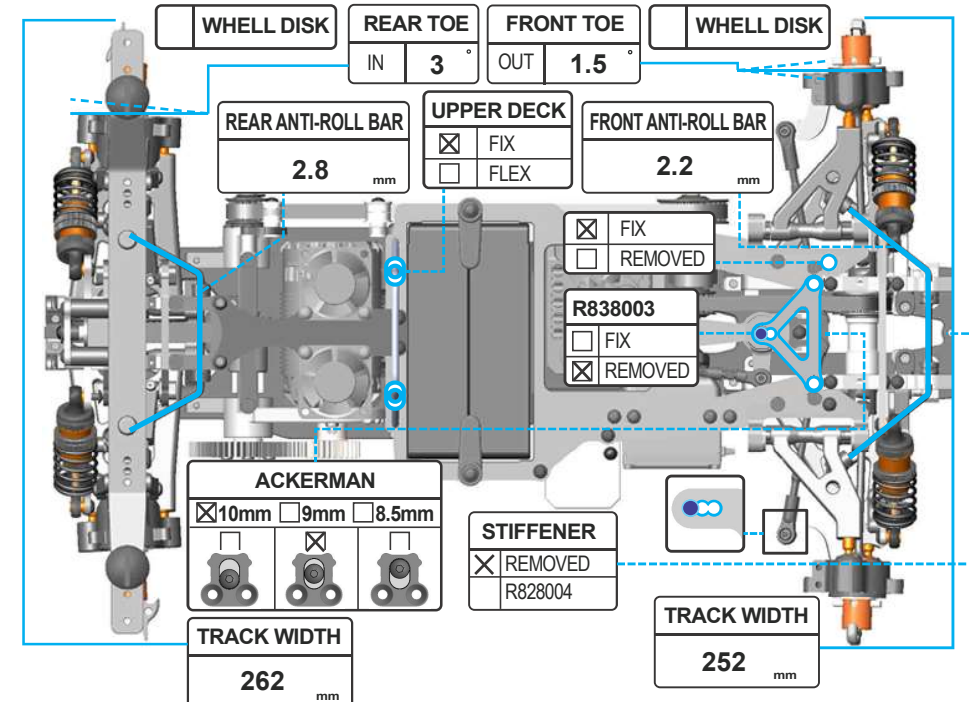
REAR ARM	<input type="checkbox"/> S <input checked="" type="checkbox"/> M <input type="checkbox"/> H
----------	---



FRONT	FRONT UPPER ARM	REAR	1 HOLE	RIDE HEIGHT
RIDE HEIGHT		2 HOLES INSIDE	2 HOLES OUTSIDE	9.5 mm
8 mm				

WHEEL SHIMS	CAMBER	CAMBER	WHEEL SHIMS
1.0 mm	R 1.5° L 1.5°	R 3.0° L 3.0°	1.2 mm

DOWN STOP	0 mm	REAR ROLL CENTER	I-TYPE	REAR UPPER LINK	DOWN STOP
					8 mm



WHELL DISK	REAR TOE	FRONT TOE	WHELL DISK
	IN 3°	OUT 1.5°	
REAR ANTI-ROLL BAR	UPPER DECK	FRONT ANTI-ROLL BAR	
2.8 mm	<input checked="" type="checkbox"/> FIX <input type="checkbox"/> FLEX	2.2 mm	

R838003	
<input type="checkbox"/> FIX <input checked="" type="checkbox"/> REMOVED	

ACKERMAN	STIFFENER	TRACK WIDTH
<input checked="" type="checkbox"/> 10mm <input type="checkbox"/> 9mm <input type="checkbox"/> 8.5mm	<input checked="" type="checkbox"/> REMOVED R828004	262 mm
		TRACK WIDTH
		252 mm