

RACE

TRACK

NAME

CITY / COUNTRY

DATE

TEMPERATURE	AIR	TRACK	
QUALIFYING POSITION	BEST LAP TIME	FINAL POSITION	RACE LENGTH
	SEC		MIN
TRACK CONDITION	<input type="checkbox"/> TECHNICAL	<input type="checkbox"/> MIXED	<input type="checkbox"/> FAST
TRACTION	<input type="checkbox"/> LOW	<input type="checkbox"/> MEDIUM	<input type="checkbox"/> HIGH

GEAR RATIO CHART

Spur	Spur 1st	Spur 2nd
Pinion	60 61 62	56 57 58
1st	<input type="checkbox"/> 18T <input type="checkbox"/> 19T <input type="checkbox"/> 20T	<input type="checkbox"/> <input type="checkbox"/> <input type="checkbox"/>
2nd	<input type="checkbox"/> 23T <input type="checkbox"/> 24T <input type="checkbox"/> 25T	<input type="checkbox"/> <input type="checkbox"/> <input type="checkbox"/>

SHOCK

Oil	<input type="checkbox"/> 1 HOLE	SHOCK PISTON	<input type="checkbox"/> 1 HOLE	Oil
CST	<input type="checkbox"/> 2 HOLE	HOLE SIZE	<input type="checkbox"/> 2 HOLE	CST
SPRING		F	mm	SPRING
		R	mm	

TIRE

Front Left	<input type="text"/>	Tire Shore	Rear Left	<input type="text"/>
Front Right	<input type="text"/>		Rear Right	<input type="text"/>
Front Left	mm	Tire Ø	Rear Left	mm
Front Right	mm		Rear Right	mm
Tire Additive				

BODY

Bumper

<input type="checkbox"/> Standard	BODY MOUNT DISTANCE	mm
<input type="checkbox"/> Cut		

Front Left

Front Right

WING

mm

ENGINE

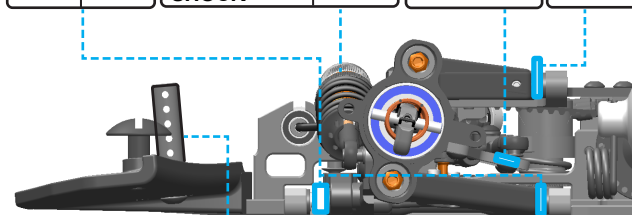
Engine	Pipe	
Plug	Carb Dia	mm
Fuel	Head Shims	mm

CLUTCH

Clutch Bell	Clutch Shoes	
Spring Load	Bell Clearance	mm

NOTE

WHEEL BASE	<input type="checkbox"/> BRACE	BUMP STEER	CASTER	<input type="checkbox"/> R839009	<input type="checkbox"/> BRACE
mm	mm	mm	mm	mm	mm
SHIM UNDER SHOCK					



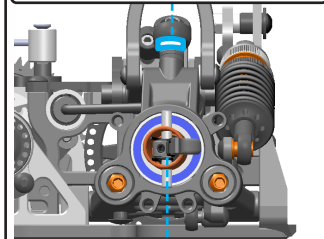
TOWER POSITION	mm	FRONT ARM	<input type="checkbox"/> S <input type="checkbox"/> M <input type="checkbox"/> H
----------------	----	-----------	--

STEERING BLOCK SETUP

<input type="checkbox"/> CENTER R806021	<input type="checkbox"/> CENTER	<input type="checkbox"/> BACKWARD	<input type="checkbox"/> FORWARD	<input type="checkbox"/> LOWER	<input type="checkbox"/> UPPER
---	---------------------------------	-----------------------------------	----------------------------------	--------------------------------	--------------------------------

REAR UPRIGHTSHIMS

mm

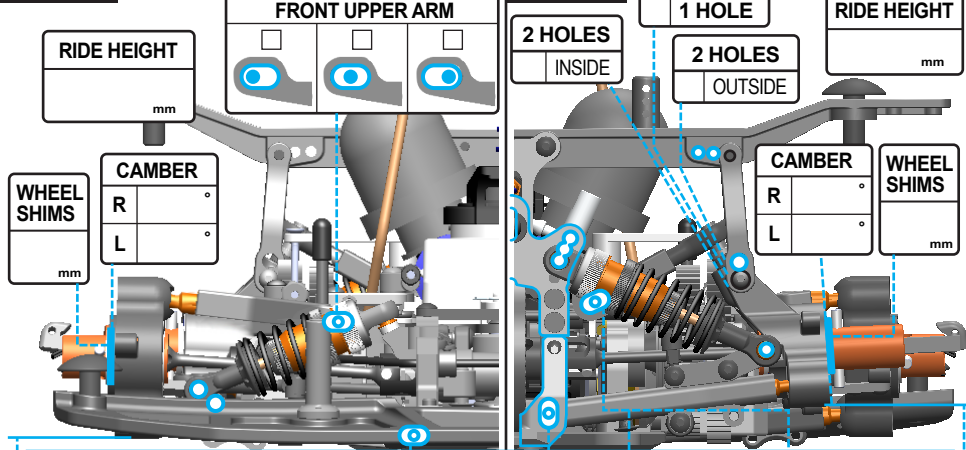


ECCENTER HUB

<input type="checkbox"/> Up	<input type="checkbox"/> Middle	<input type="checkbox"/> R806021
-----------------------------	---------------------------------	----------------------------------

REAR ARM S M H

FRONT REAR



DOWN STOP	mm	REAR ROLL CENTER	I-TYPE	REAR UPPER LINK	DOWN STOP	mm
FRONT LOW ARM						

WHEEL DISK

REAR TOE

IN

OUT

FRONT TOE

WHEEL DISK

REAR ANTI-ROLL BAR

mm

FRONT ANTI-ROLL BAR

mm

FIX

REMOVED

R838003

FIX

REMOVED

UPPER DECK

FIX

FLEX

ACKERMAN

10mm 9mm 8.5mm

TRACK WIDTH

mm

CHASSIS WEIGHT ADJUSTMENT

REMOVED

R838008 CHASSIS COVER

TRACK WIDTH

mm