

RACE	
TRACK	
DRIVER	
CITY	
DATE	

TEMPERATURE	AIR	TRACK	
QUALIFYING POSITION	BEST LAP TIME	FINAL POSITION	RACE LENGTH
	SEC		MIN

TRACK CONDITION	<input type="checkbox"/> TECHNICAL	<input type="checkbox"/> MIXED	<input type="checkbox"/> FAST
TRACTION	<input type="checkbox"/> LOW	<input type="checkbox"/> MEDIUM	<input type="checkbox"/> HIGH

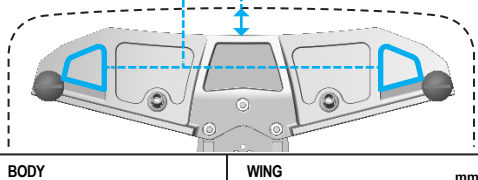
GEAR RATIO CHART

Spur		Spur 1st			Spur 2nd		
Pinion		60	61	62	56	57	58
1st	<input type="checkbox"/> 18T <input type="checkbox"/> 19T <input type="checkbox"/> 20T						
2nd	<input type="checkbox"/> 23T <input type="checkbox"/> 24T <input type="checkbox"/> 25T						

SHOCK	
Front	Rear
OIL	
SPRING	
PISTON	

TIRE			
Front	Rear		
Front Left	Tire Shore	Rear Left	
Front Right		Rear Right	
Front Left	Tire Ø	Rear Left	
Front Right		Rear Right	
Tire Additive			

BODY

Bumper	Standard	Cut	BODY MOUNT DISTANCE		mm
					
BODY	WING				mm

ENGINE

Engine	Pipe	
Plug	Carb Dia	mm
Fuel	Head Shims	mm

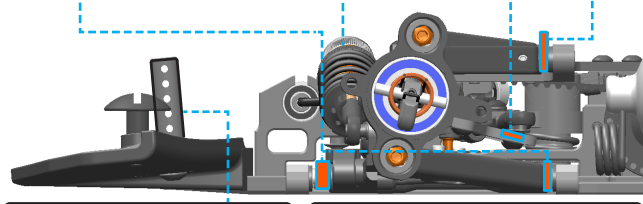
CLUTCH

Clutch Bell	Clutch Shoes	
Spring Load	Bell Clearance	mm

NOTE

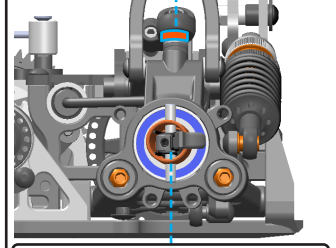
Arn0

WHEEL BASE	<input type="checkbox"/> BRACE	BUMP STEER	CASTER	<input type="checkbox"/> R839009	<input type="checkbox"/> BRACE
mm	mm	mm	mm	SHIM UNDER SHOCK	mm



TOWER POSITION	mm	FRONT ARM	<input type="checkbox"/> S <input type="checkbox"/> M <input type="checkbox"/> H
----------------	----	-----------	--

REAR UPRIGHTSHIMS	mm
-------------------	----



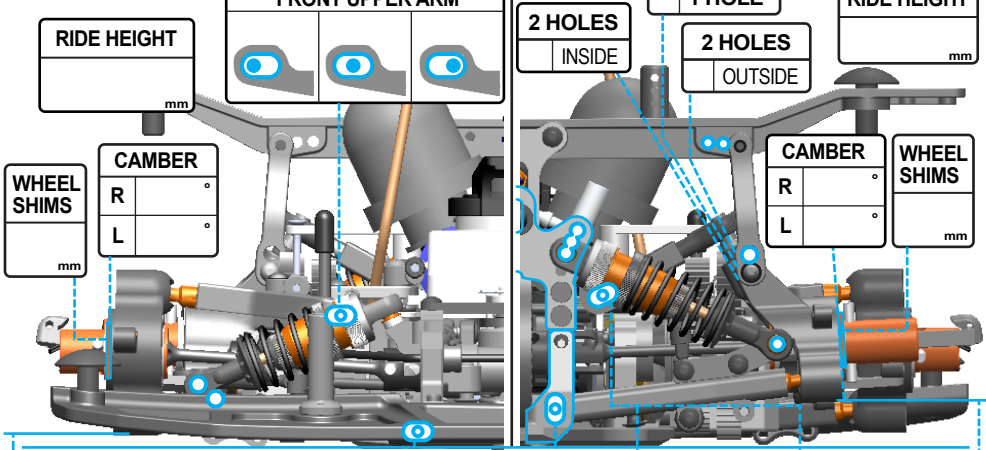
STEERING BLOCK SETUP

<input type="checkbox"/> CENTER R806021	<input type="checkbox"/> CENTER	<input type="checkbox"/> BACKWARD	<input type="checkbox"/> FORWARD	<input type="checkbox"/> LOWER	<input type="checkbox"/> UPPER
---	---------------------------------	-----------------------------------	----------------------------------	--------------------------------	--------------------------------

ECCENTER HUB

Up	Middle	R806021
REAR ARM	<input type="checkbox"/> S <input type="checkbox"/> M <input type="checkbox"/> H	

FRONT REAR



FRONT	RIDE HEIGHT	mm
-------	-------------	----

FRONT UPPER ARM	<input type="checkbox"/> 2 HOLES INSIDE	<input type="checkbox"/> 2 HOLES OUTSIDE
-----------------	---	--

REAR	1 HOLE	RIDE HEIGHT	mm
------	--------	-------------	----

CAMBER	R	°	WHEEL SHIMS	mm
	L	°		

FRONT	WHEEL SHIMS	mm
-------	-------------	----

FRONT LOWER ARM	<input type="checkbox"/> DOWN STOP	mm
-----------------	------------------------------------	----

REAR	REAR ROLL CENTER	<input type="checkbox"/> I-TYPE
------	------------------	---------------------------------

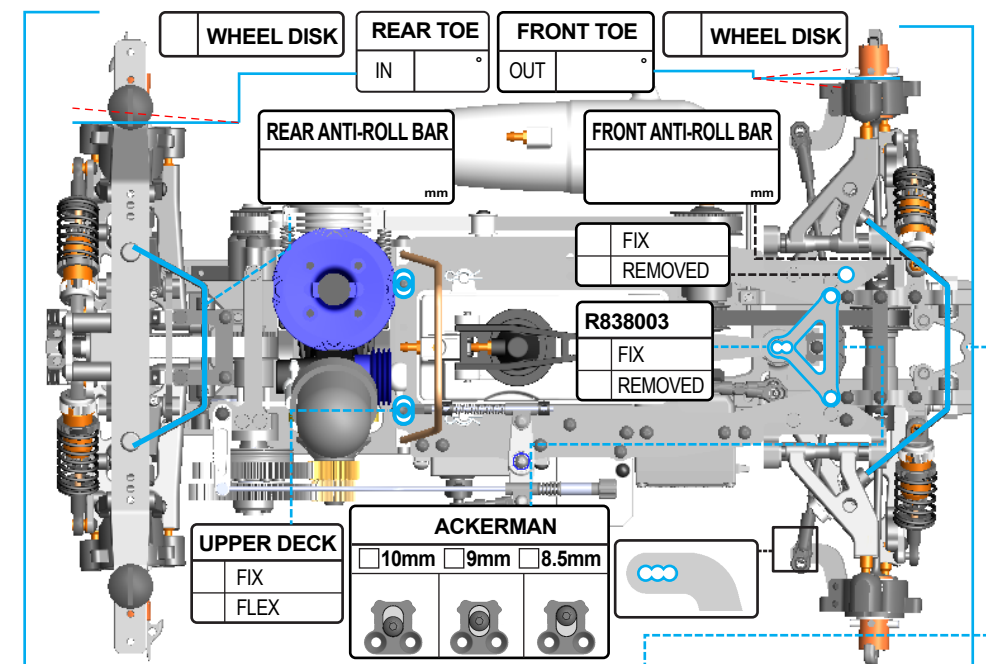
REAR	REAR UPPER LINK	<input type="checkbox"/> DOWN STOP	mm
------	-----------------	------------------------------------	----

FRONT	DOWN STOP	mm
-------	-----------	----

FRONT	FRONT LOW ARM	<input type="checkbox"/> DOWN STOP	mm
-------	---------------	------------------------------------	----

REAR	REAR ROLL CENTER	<input type="checkbox"/> I-TYPE
------	------------------	---------------------------------

REAR	REAR UPPER LINK	<input type="checkbox"/> DOWN STOP	mm
------	-----------------	------------------------------------	----



FRONT	WHEEL DISK	FRONT TOE	OUT	°
-------	------------	-----------	-----	---

REAR	REAR TOE	IN	°
------	----------	----	---

FRONT	FRONT TOE	OUT	°
-------	-----------	-----	---

REAR	WHEEL DISK	FRONT TOE	OUT	°
------	------------	-----------	-----	---

FRONT	REAR ANTI-ROLL BAR	mm
-------	--------------------	----

FRONT	FRONT ANTI-ROLL BAR	mm
-------	---------------------	----

FRONT	FIX	REMOVED
-------	-----	---------

FRONT	FIX	REMOVED
-------	-----	---------

FRONT	UPPER DECK	FIX	FLEX
-------	------------	-----	------

FRONT	ACKERMAN	<input type="checkbox"/> 10mm <input type="checkbox"/> 9mm <input type="checkbox"/> 8.5mm
-------	----------	---

FRONT	R838003	FIX	REMOVED
-------	---------	-----	---------

FRONT	R838003	FIX	REMOVED
-------	---------	-----	---------

FRONT	TRACK WIDTH	mm
-------	-------------	----

FRONT	CHASSIS WEIGHT ADJUSTMENT	REMOVED	R838008 CHASSIS COVER
-------	---------------------------	---------	-----------------------

FRONT	TRACK WIDTH	mm
-------	-------------	----

FRONT	TRACK WIDTH	mm
-------	-------------	----