

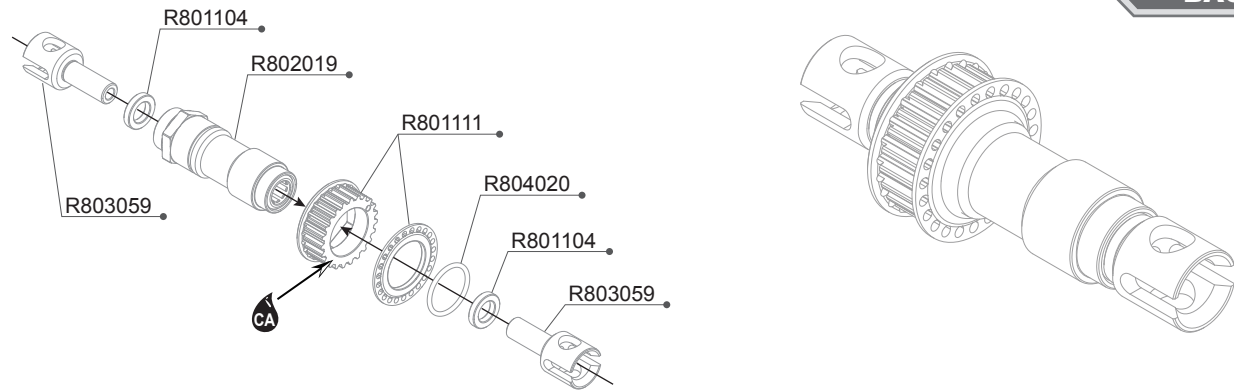
NOTICE

TH =Apply Thread Lock Adhesive

CA =Apply CA Glue

GE =Apply Grease

BAG 01



- R801104 One Way Plastic Shims
- R801111 Pulley Set -Front
- R802019 Front One Way

- R803059 Front One Way Cup (2)
- R804020 O'Ring 10x1.5 (6)

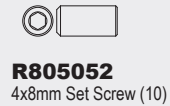
BAG 01



R105105
3x8 Round Screw (10)

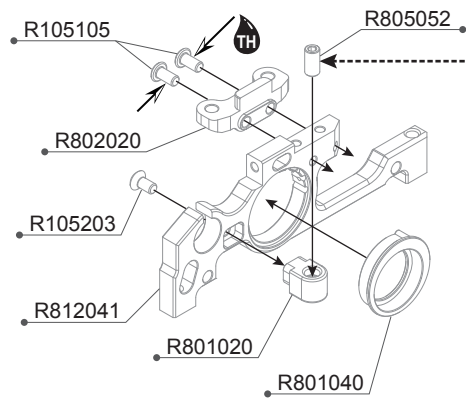


R105203
3x6mm Flat Screw (10)



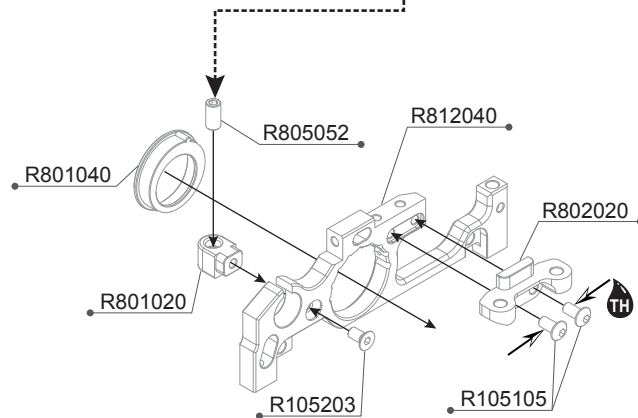
R805052
4x8mm Set Screw (10)

1:1 Scale

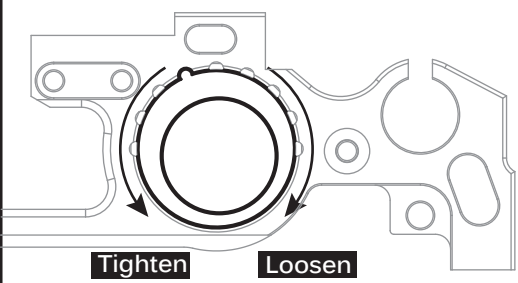


Option Parts (Not Included)

R813005 Dowstop Adjust Screw (4)



NOTICE



Initial setup of the front one way axle, please adjust belt tension after first run.

- R105105 3x8 Round Screw (10)
- R105203 3x6mm Flat Screw (10)
- R801020 Dowstop Nut Holder (2)
- R801040 Bearing Bushing -Solid Axle (2)

- R802020 Front Upper Arm Bracket Base
- R805052 4x8mm Set Screw (10)
- R812040 R8.1 Front Bulkhead-L V2018
- R812041 R8.1 Front Bulkhead-R V2018

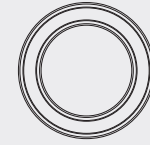
BAG 01



R105104
3x6 Round Screw (10)

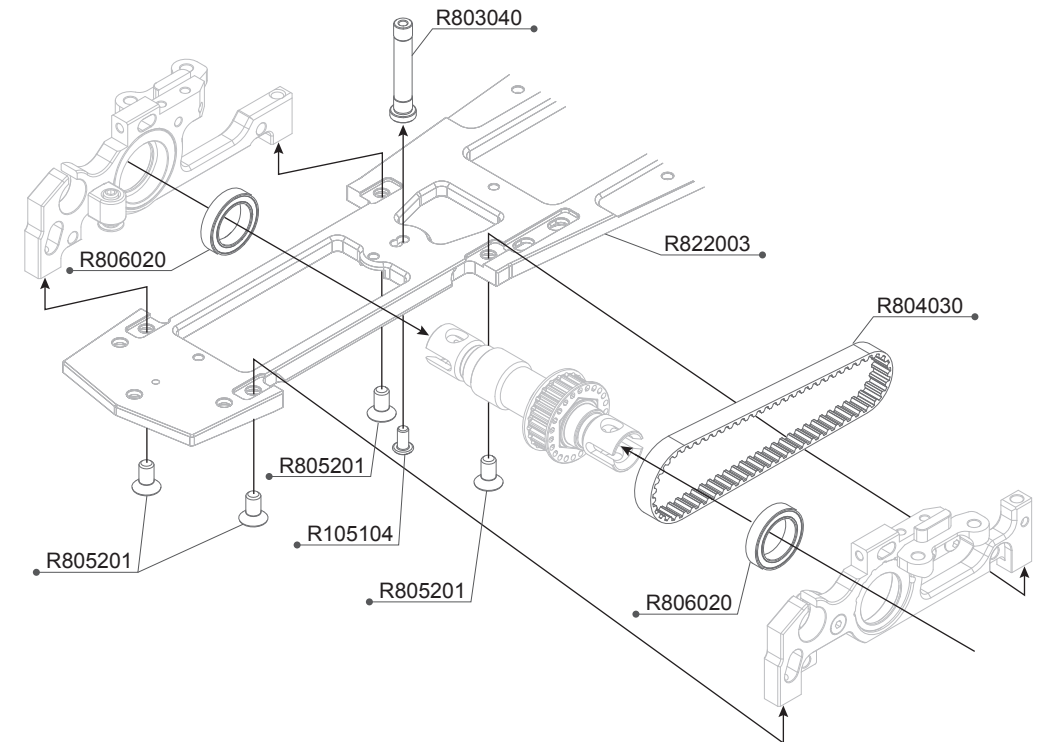


R805201
4x8mm Flat Screw (10)



R806020
12x18x4mm Ball Bearing (4)

1:1 Scale



- R105104 3x6 Round Screw (10)
- R803040 Servo Saver Post
- R804030 Front Belt 201

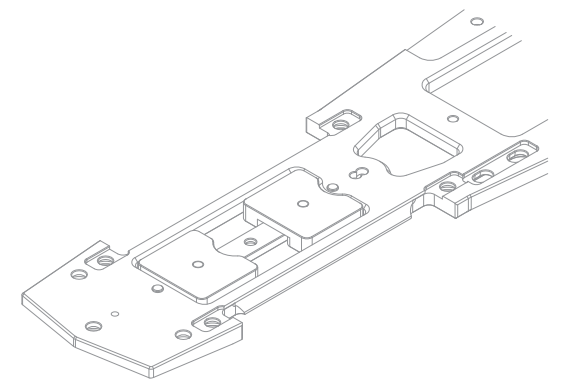
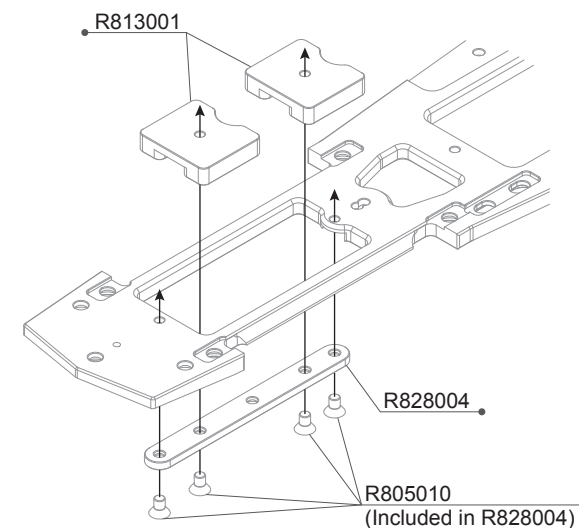
- R805201 4x8mm Flat Screw (10)
- R806020 12x18x4 Ball Bearing (4)
- R822003 R8.2 Main Chassis

BAG 01

Option Parts (Not Included)

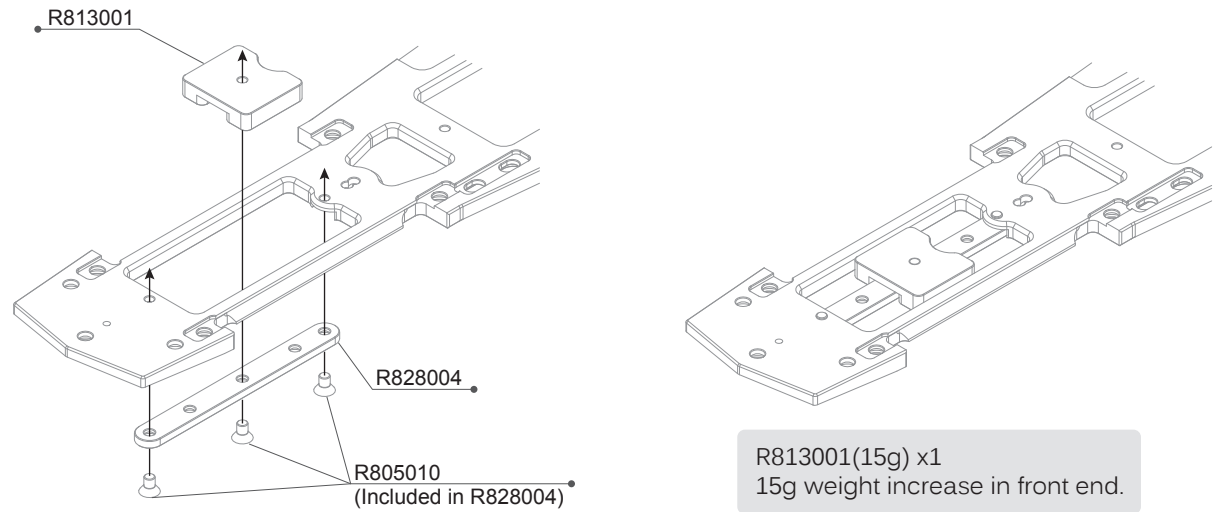
R8.2 CHASSIS WEIGHT ADJUSTMENT

The R8.2 Chassis weight can be adjust by using R828004 R8.2 Chassis weight holder and R813001 R8.1 Slide Weight -Brass 15g, More weight in front end will increase stability ,The weight adjustment system can add R813001x1 of 15g or 2pcs of 30g.



R813001(15g) x2
30g weight increase in front end.

Option Parts (Not Included)



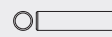
R813001(15g) x1
15g weight increase in front end.



R805045
E-Clip 5mm (6)

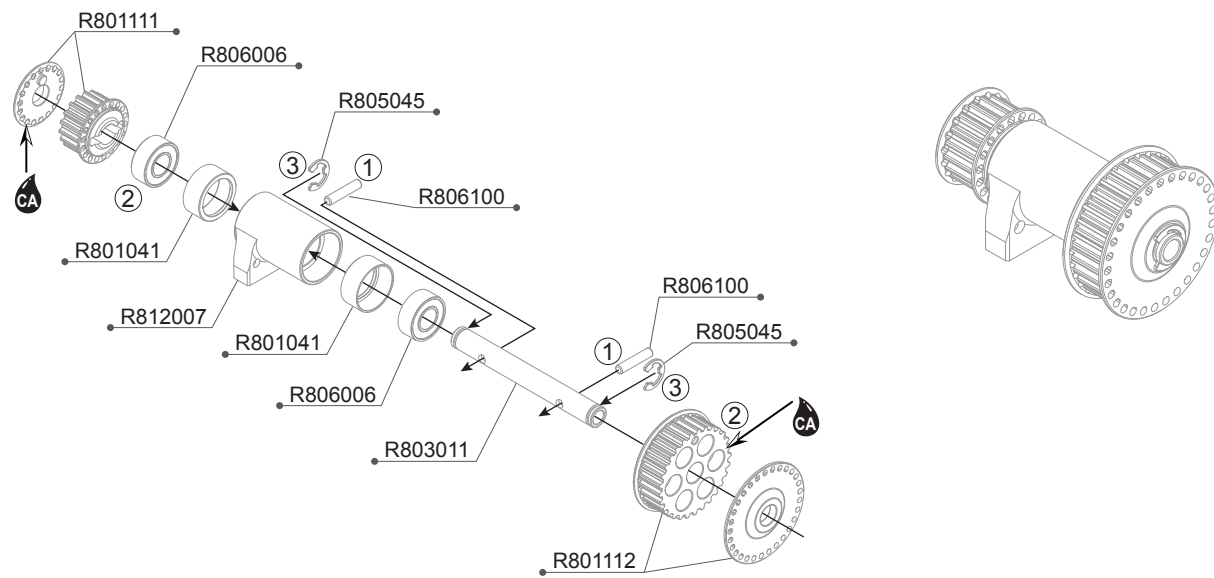


R806006
6x13x5mm Ball Bearing (2)



R806100
Ø2.5x11.8 Pin (6)

1:1 Scale



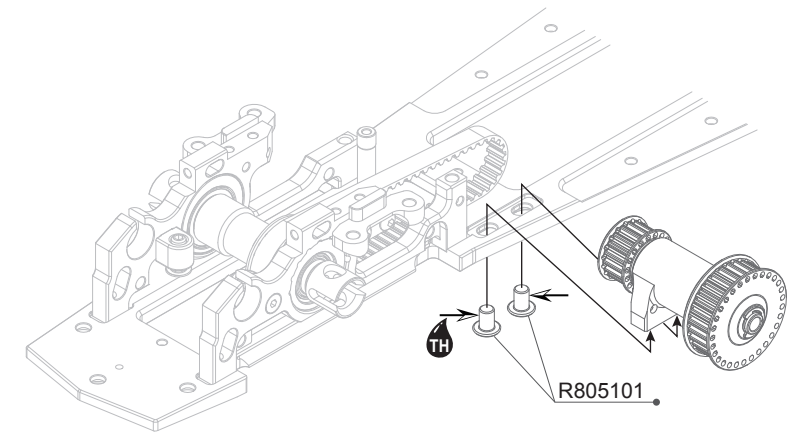
- R801041 Bearing Bushing -Middle Shaft (2)
- R801111 Pulley Set -Front
- R801112 Pulley Set -Middle
- R803011 Middle Shaft

- R805045 E-Clip 5mm (6)
- R806006 6x13x5 Ball Bearing (2)
- R806100 Pin 2.5x11.8 (6)
- R812007 R8.1 Middle Shaft Block



R805101
4x6 Round Screw (10)

1:1 Scale



R805101 4x6 Round Screw (10)

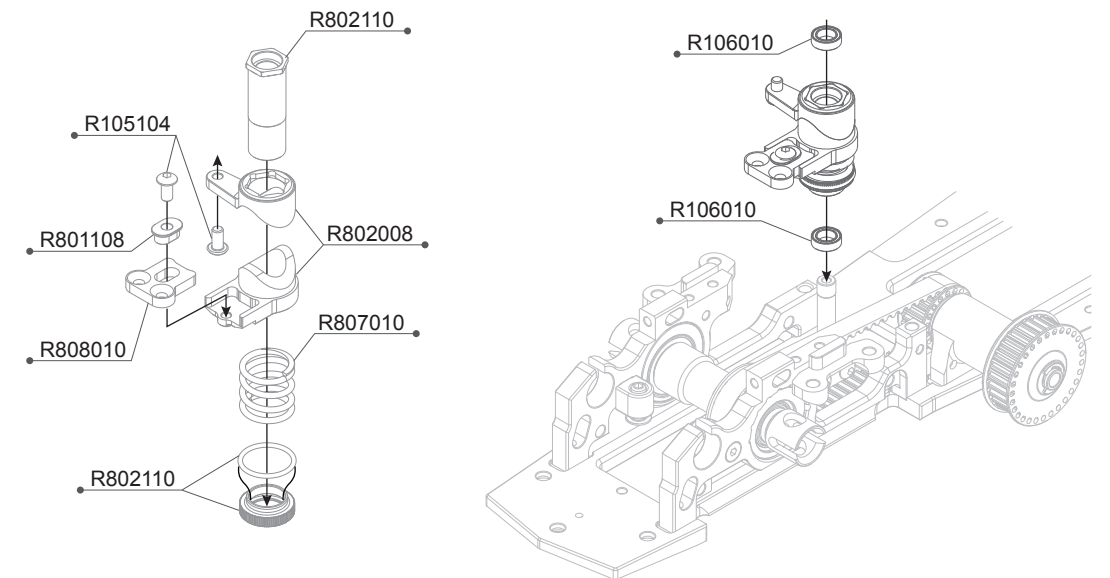


R105104
3x6 Round Screw (10)

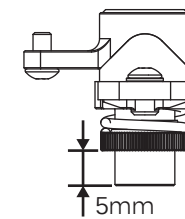


R106010
5x8x2.5mm Ball Bearing (4)

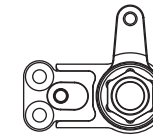
1:1 Scale



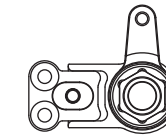
NOTICE



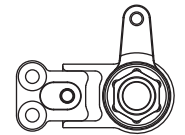
NOTICE



When track has "High Traction" or want to reduce steering



DEFAULT SETUP

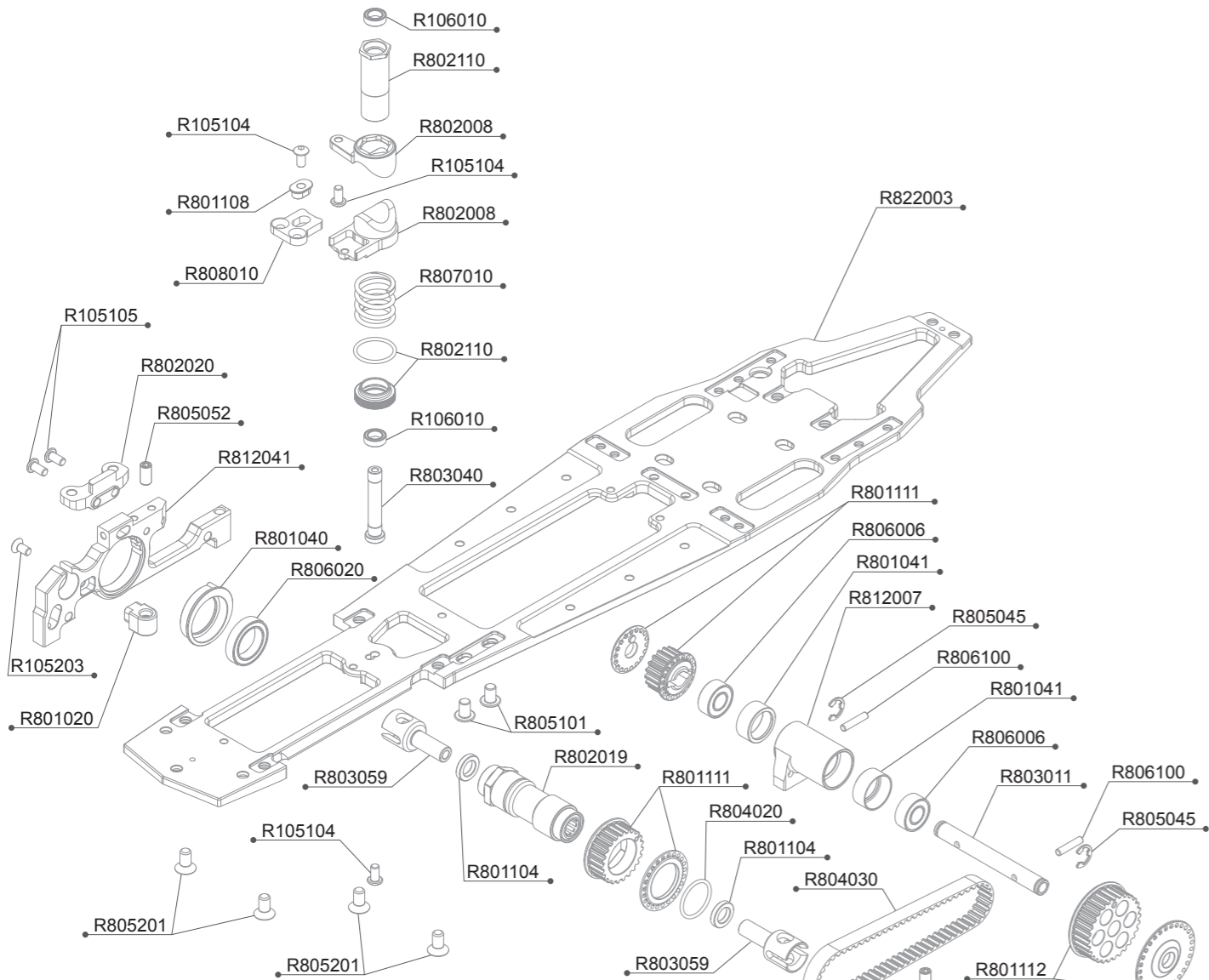


When track has "Low Traction" or want to increase steering

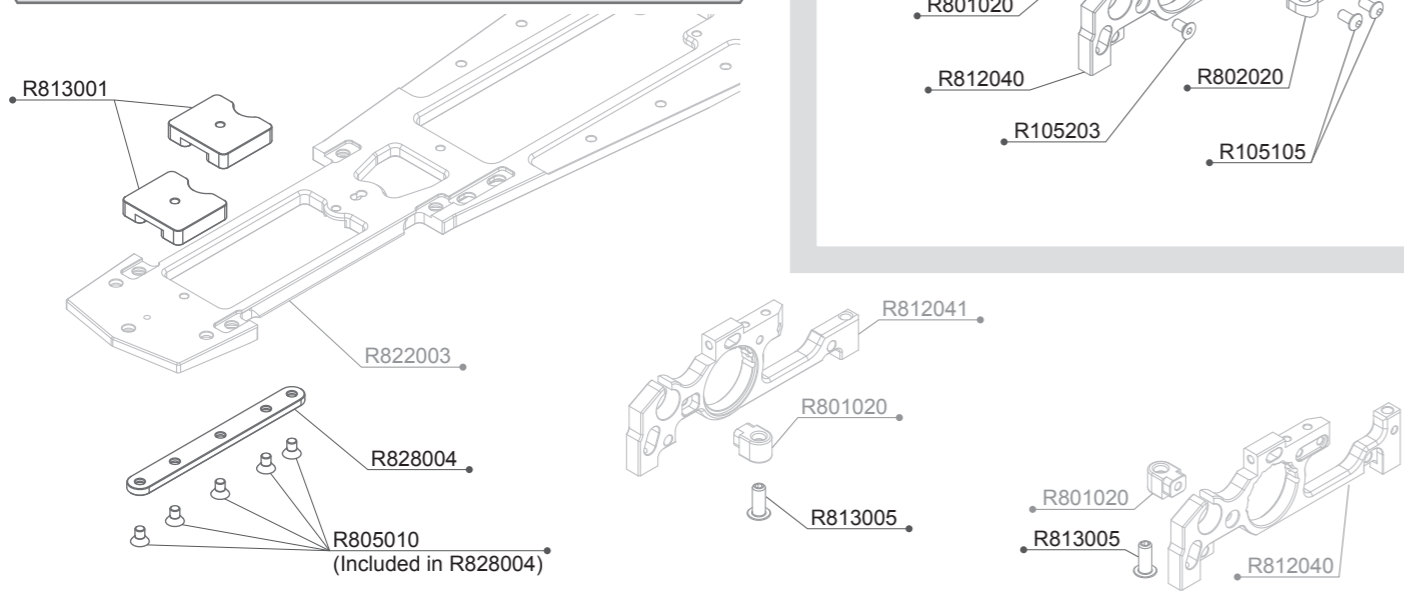
- R105104 3x6 Round Screw (10)
- R106010 5x8x2.5mm Ball Bearing (4pcs)
- R801108 Ackerman Adjustment Shims 0/+1.5
- R802008 Servo Saver Set

- R802110 Servo Saver Tower
- R807010 Servo Saver Spring
- R808010 Ackerman Plate 8.5mm Carbon

R8.2 BAG 01 PARTS EXPLORE VIEW



R8.2 BAG 01 OPTION PARTS EXPLORE VIEW



R8.2 BAG 01 PARTS LIST

R105104	3x6 Round Screw (10)	R803059	Front One Way Cup (2)
R105105	3x8 Round Screw (10)	R804020	O'Ring 10x1.5 (6)
R105203	3x6mm Flat Screw (10)	R804030	Front Belt 201
R106010	5x8x2.5mm Ball Bearing (4pcs)	R805045	E-Clip 5mm (6)
R801020	Downstop Nut Holder (2)	R805052	4x8mm Set Screw (10)
R801040	Bearing Bushing -Solid Axle (2)	R805101	4x6 Round Screw (10)
R801041	Bearing Bushing -Middle Shaft (2)	R805201	4x8mm Flat Screw (10)
R801104	One Way Plastic Shims	R806006	6x13x5 Ball Bearing (2)
R801108	Ackerman Adjustment Shims 0/+1.5	R806020	12x18x4 Ball Bearing (4)
R801111	Pulley Set -Front	R806100	Pin 2.5x11.8 (6)
R801112	Pulley Set -Middle	R807010	Servo Saver Spring
R802008	Servo Saver Set	R808010	Ackerman Plate 8.5mm Carbon
R802019	Front One Way	R812007	R8.1 Middle Shaft Block
R802020	Front Upper Arm Bracket Base	R812040	R8.1 Front Bulkhead-L V2018
R802110	Servo Saver Tower	R812041	R8.1 Front Bulkhead-R V2018
R803011	Middle Shaft	R822003	R8.2 Main Chassis
R803040	Servo Saver Post		

OPTION PARTS LIST

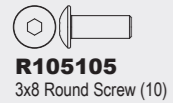
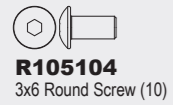
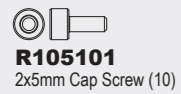
R805010	3x5mm Flat Screw (10)	R813005	Dowstop Adjust Screw (4)
R813001	R8.1 Slide Weight-Brass 15g (2)	R828004	R8.2 Weight Holding Bar-Front

1:1 SCALE

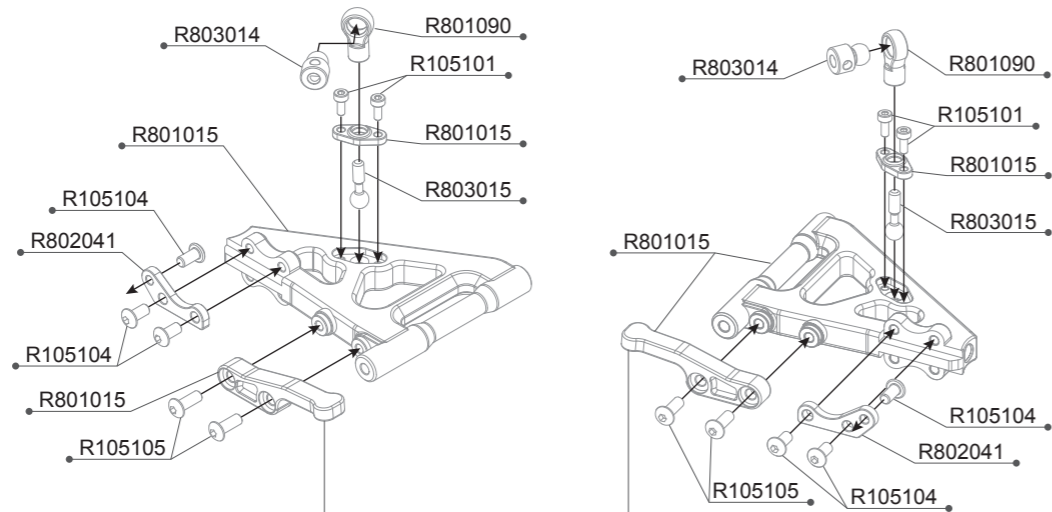
	R105104 3x6 Round Screw (10)		R106010 5x8x2.5mm Ball Bearing (4)
	R105105 3x8 Round Screw (10)		R806006 6x13x5mm Ball Bearing (2)
	R805101 4x6 Round Screw (10)		R806020 12x18x4mm Ball Bearing (4)
	R105203 3x6mm Flat Screw (10)		R806100 Ø2.5x11.8 Pin (6)
	R805201 4x8mm Flat Screw (10)		
	R805045 E-Clip 5mm (6)		
	R805052 4x8mm Set Screw (10)		

OPTION PARTS

	R805010 3x5mm Flat Screw (10)
--	----------------------------------



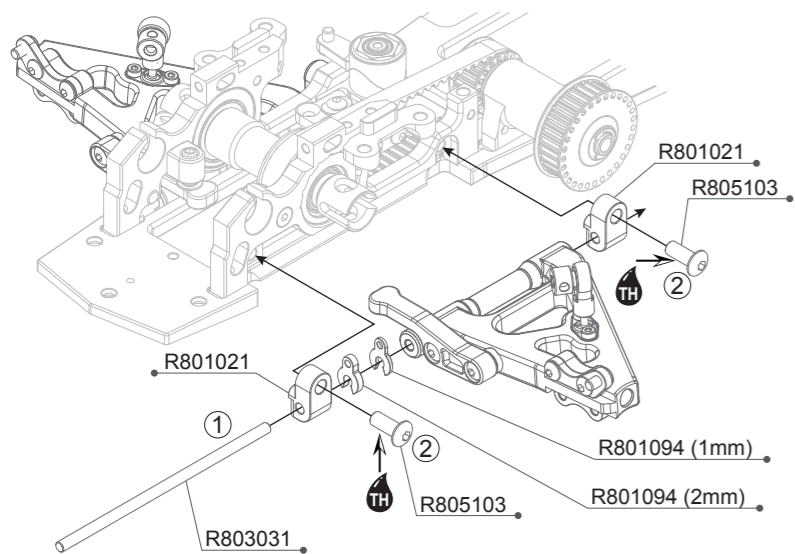
1:1 Scale



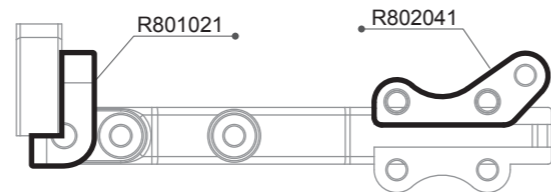
Option Parts (Not Included)



R802087
Front Down Stop Arm-Alu (2)

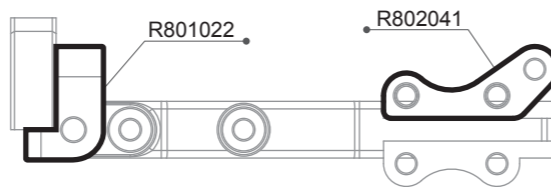


NOTICE



DEFAULT SETUP

More steering and less initial corner speed.



Less steering and more initial corner speed.

- R105101 2x5mm Cap Screw (10)
- R105104 3x6 Round Screw (10)
- R105105 3x8 Round Screw (10)
- R801015 Front Low Arm Set
- R801021 Front Low Arm Holder (4)
- R801090 Ball End 5.8mm (4)

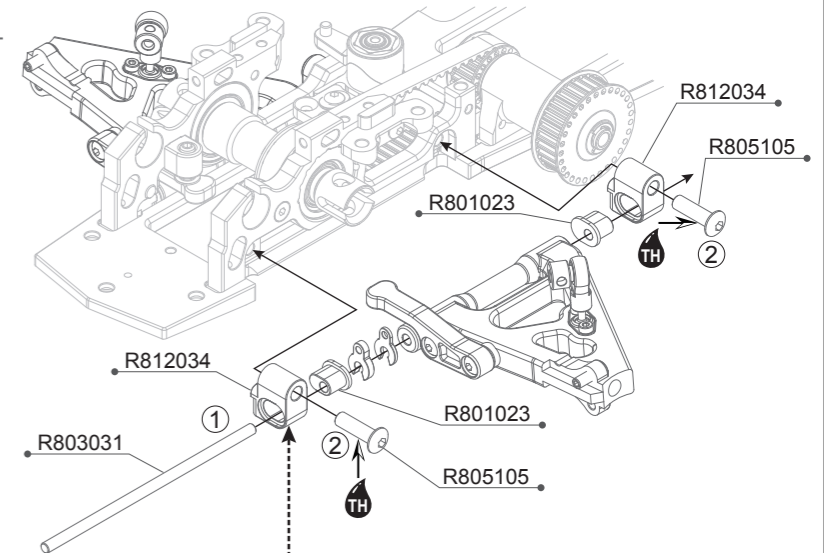
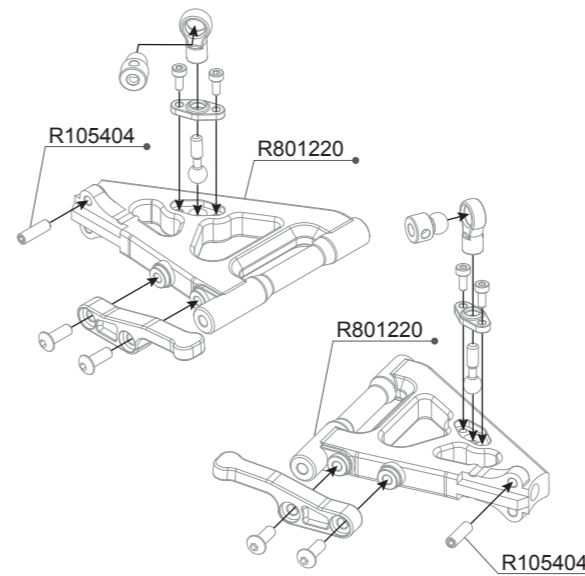
- R801094 C Spacer Set 1mm/2mm/3mm
- R802041 Front Shock Mount S (2)
- R803014 Anti Roll Bar Ball Head (2)
- R803015 Anti Roll Bar Screw (2)
- R803031 Front Low Arm Pin 3x77.8
- R805103 4x10 Round Screw (10)

Option Parts (Not Included)

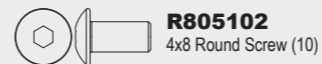
R819005 Adjustable Front Low Arm Set

New design front low arm set for ARC R8.1/R8.2 series car, the new shorter low arm will reduce steering and increase response of the car.

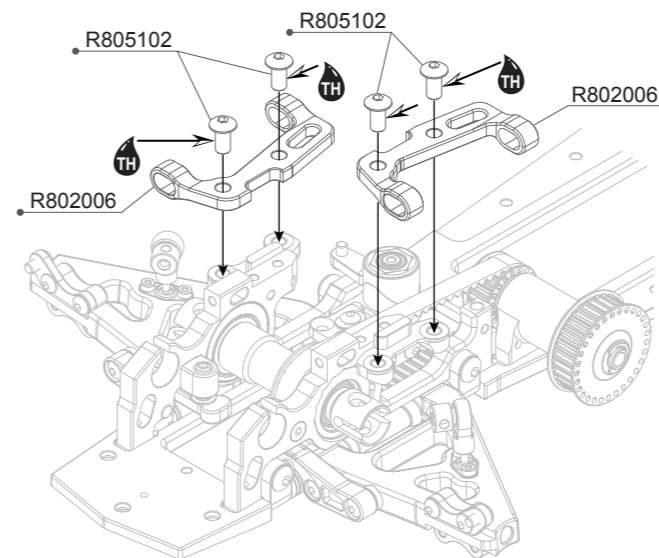
It improves the handling of the car on high traction and reduce the steering of the car, adjustable low arm holder allowed driver to switch the low arm from +2mm (Standard Arm) to +5mm (Short Arm).



	+2.0mm (Same position with R801022)
	+3.5mm (In between +2.0mm and +5.0mm)
	+5.0mm (Shortest front low arm minimize steering)



1:1 Scale



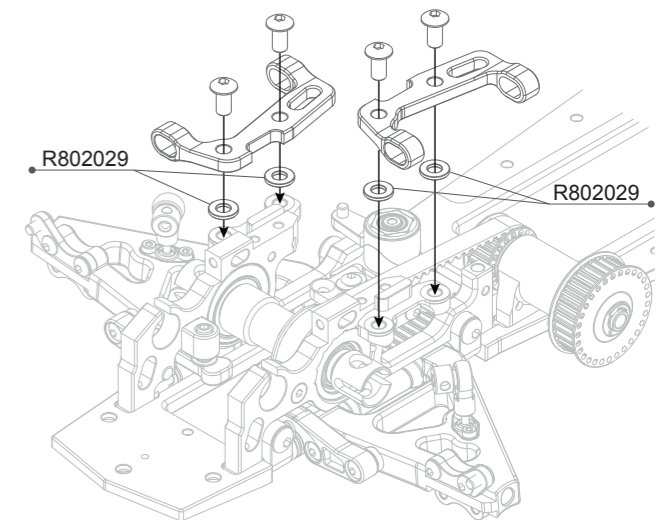
- R105404 3x10mm Set Screw (10)
- R802006 Front Upper Arm Bracket

Option Parts (Not Included)

R802029 4x8x1mm Shims (8)

4x8x1mm Aluminum shims are designed put under front upper arm bracket. It can adjust roll center in front end, more shims will lower the roll center also create more traction in front end.

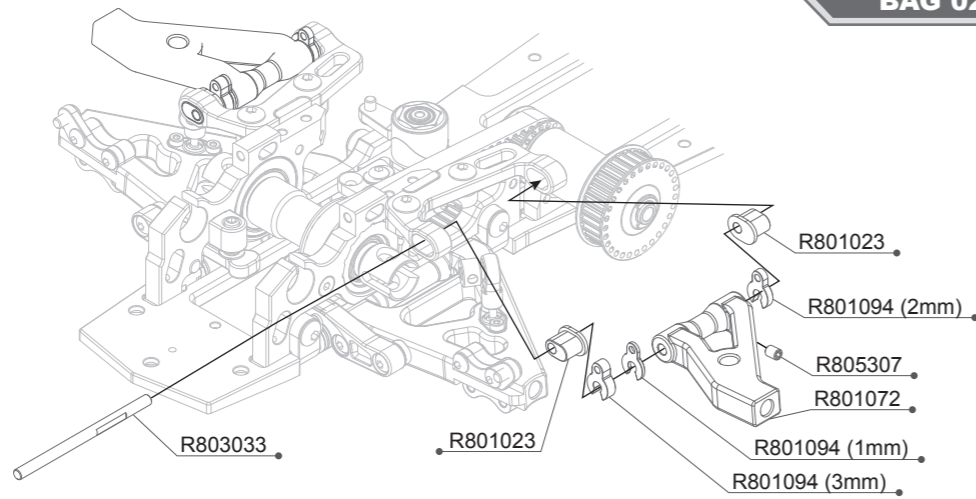
Maxima with 2mm shims under bracket.



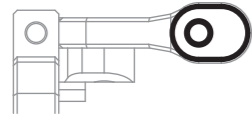
- R805102 4x8 Round Screw (10)
- R805105 4x14 Round Screw (10)

RR805307
3x6mm Set Screw (10)

1:1 Scale

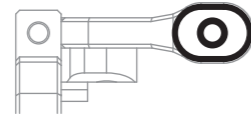


NOTICE

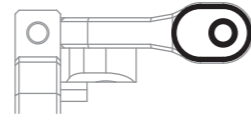


Default

Front Upper Arm Long



Front Upper Arm Medium



Front Upper Arm Short

- R801023 Suspension Bracket Insert-Open (8)
- R801072 Front Upper Arm (2)
- R801094 C Spacer Set 1mm/2mm/3mm

- R803033 Front Upper Arm Pin 3x49
- R805307 3x6mm Set (10)

R105401
3x3mm Set Screw (10)

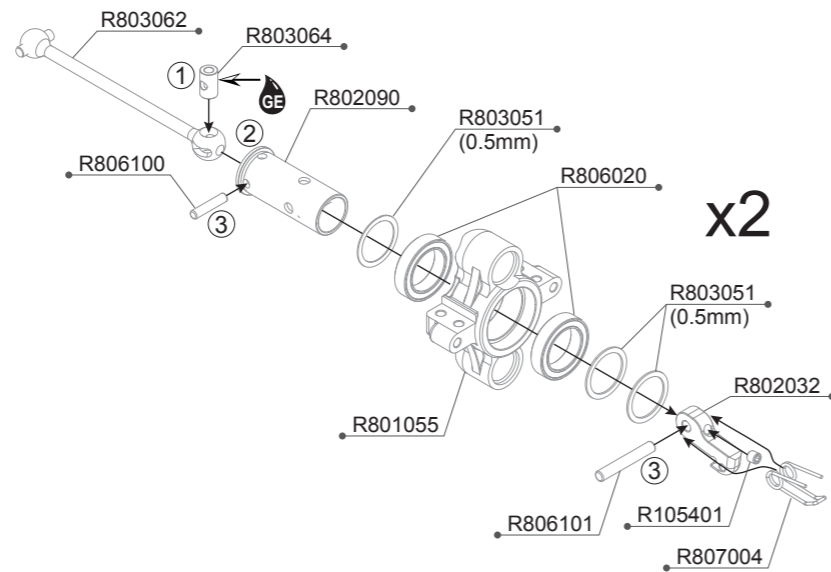
R803051
12.1x15x0.5mm Shims (10)

R806020
12x18x4mm Ball Bearing (4)

R806100
Ø2.5x11.8 Pin (6)

R806101
Ø3x19.8 Pin (6)

1:1 Scale

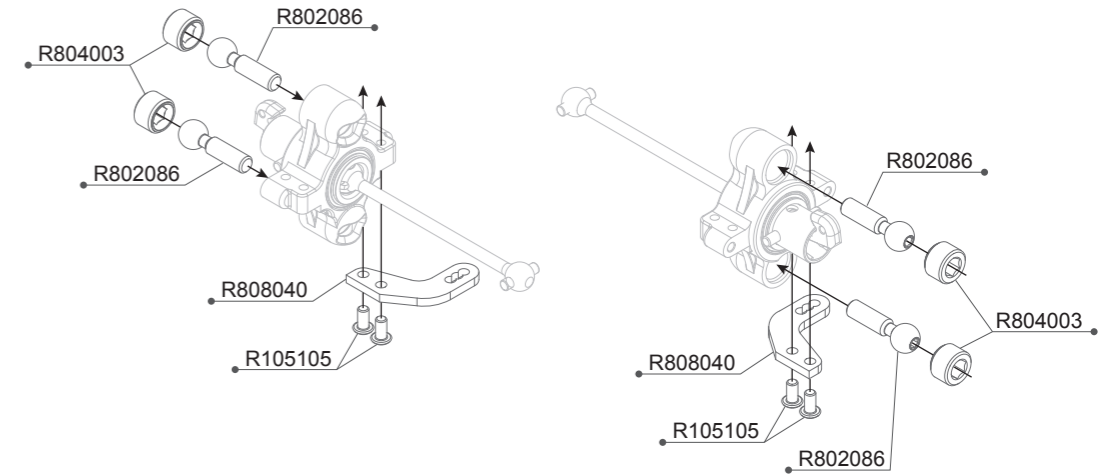


- R105401 3x3mm Set Screw (10)
- R801055 Steering Block
- R802032 Front Tire Hook (2)
- R802090 Front Wheel Axle - Alu (2)
- R803051 12.1x15x0.5mm Shims (10)
- R803062 Front CVD Shaft (2)

- R803064 CVD Insert (2)
- R806020 12x18x4 Ball Bearing (4)
- R806100 Pin 2.5x11.8 (6)
- R806101 Pin 3x19.8 (6)
- R807004 Tire Hook Spring (4)

R105105
3x8 Round Screw (10)

1:1 Scale

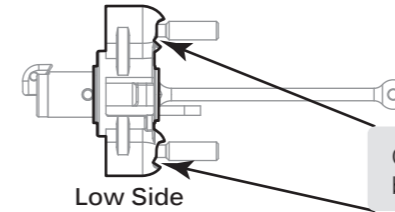


NOTICE

RIGHT SIDE

LEFT SIDE

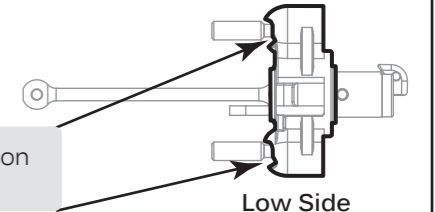
Upper Side



Low Side

Check the direction before assembly

Upper Side



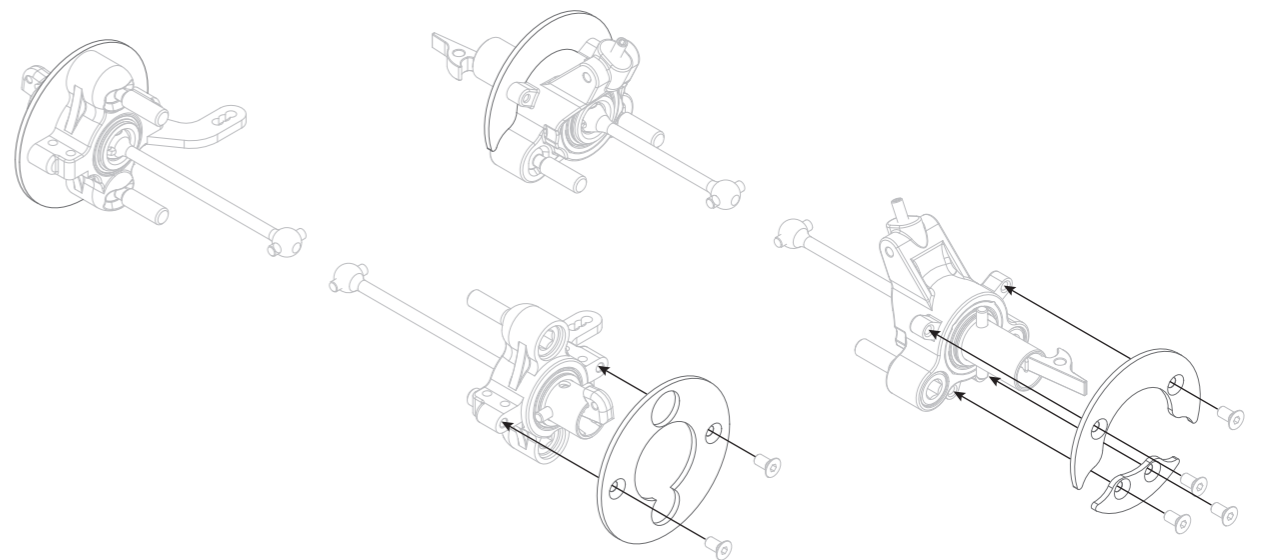
Low Side

Check the direction before assembly

Option Parts (Not Included)

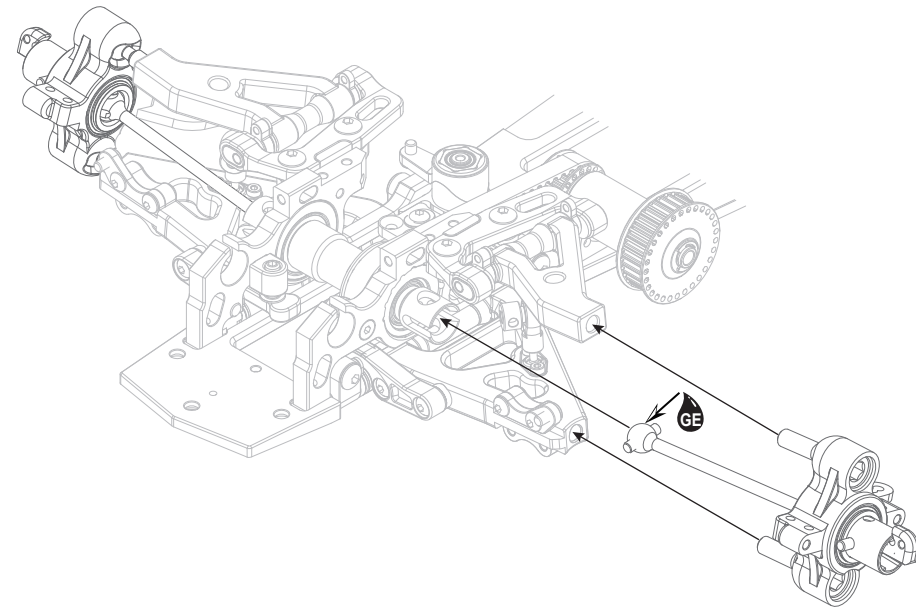
R809003 R8.0 Air Disk Set (F&R)

Increase stability and more precise handling



- R105105 3x8 Round Screw (10)
- R802086 7.9mm Ball End Long-Alu (4)

- R804003 7.9mm Ball End Nut (4)
- R808040 Front Steering Plate Carbon (2)



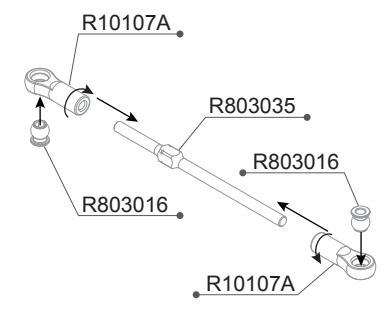
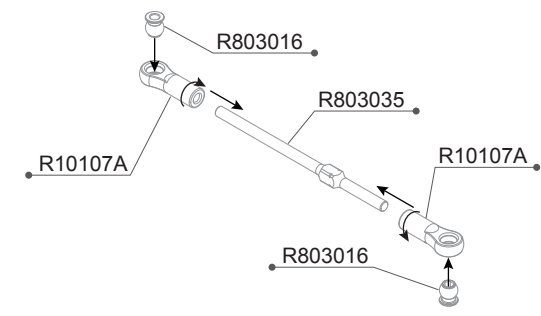
NOTICE
Front upper arm width setup

Initial Setup

6mm

NOTICE
Front low arm width setup

6mm



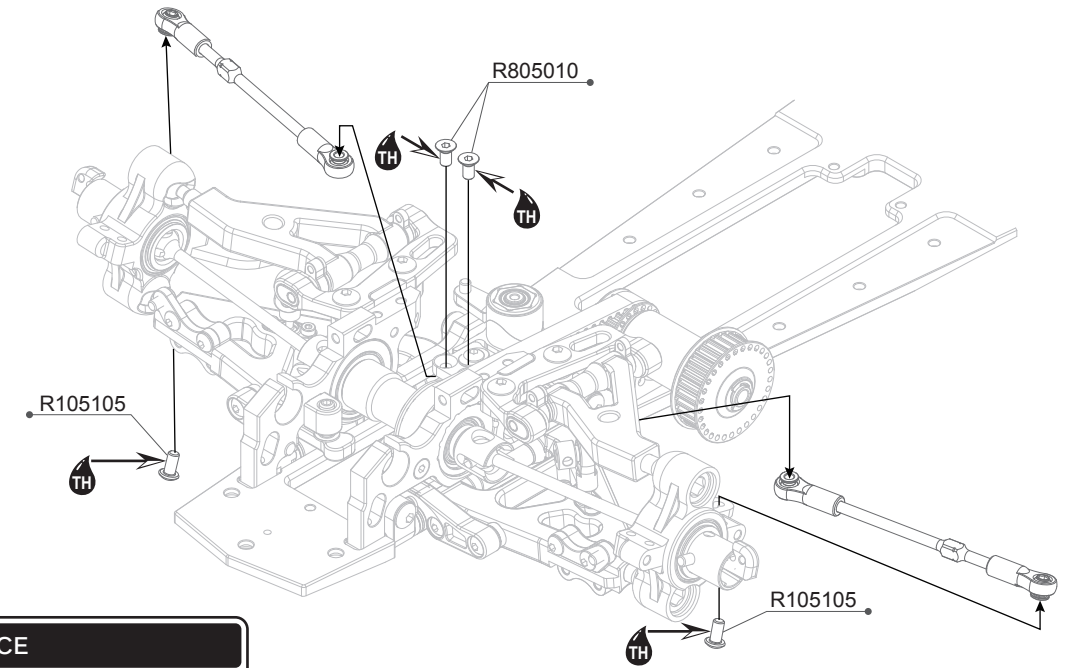
- R10107A Ball Joint 4.9mm Open (6pcs)
- R803016 Ball Head 4.9mm (4)

- R803035 3mm X 62mm Rod (2)

- R105105**
3x8 Round Screw (10)

- R805010**
3x5mm Flat Screw (10)

1:1 Scale



NOTICE

Default Position

NOTICE

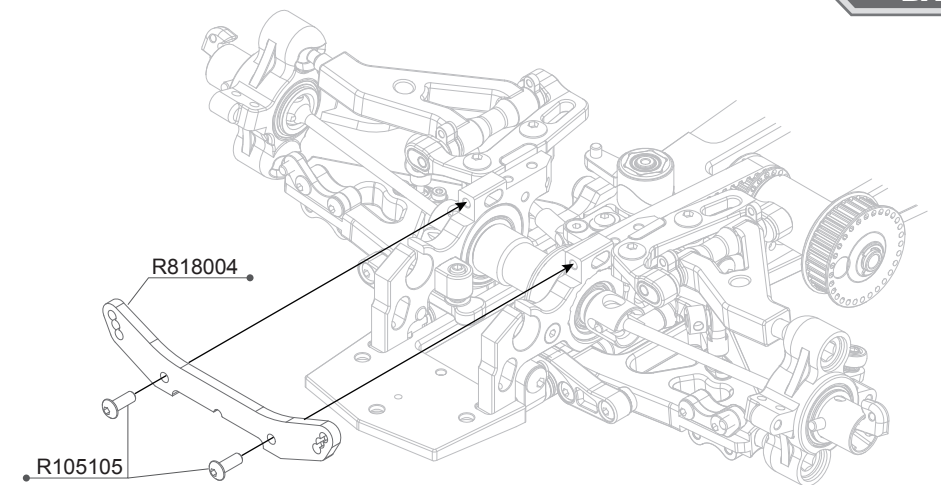
49.5 mm

- R105105 3x8 Round Screw (10)

- R805010 3x5mm Flat Screw (10)

- R105105**
3x8 Round Screw (10)

1:1 Scale



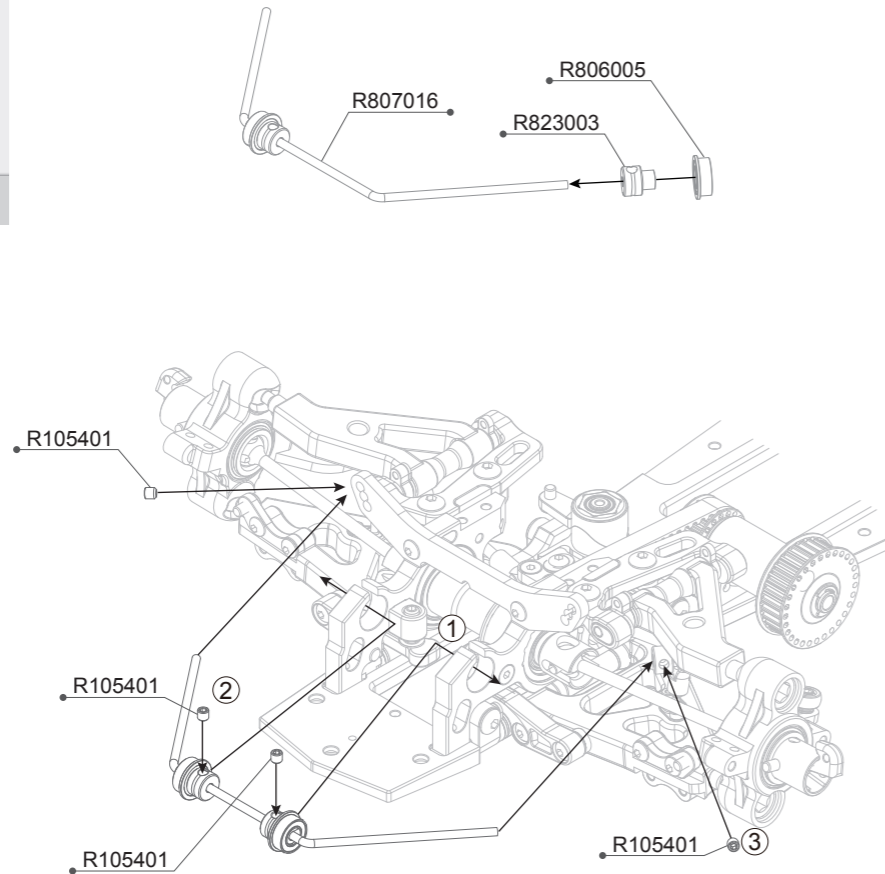
- R105105 3x8 Round Screw (10)

- R818004 R8.1 Front Shock Tower

R105401
3x3mm Set Screw (10)

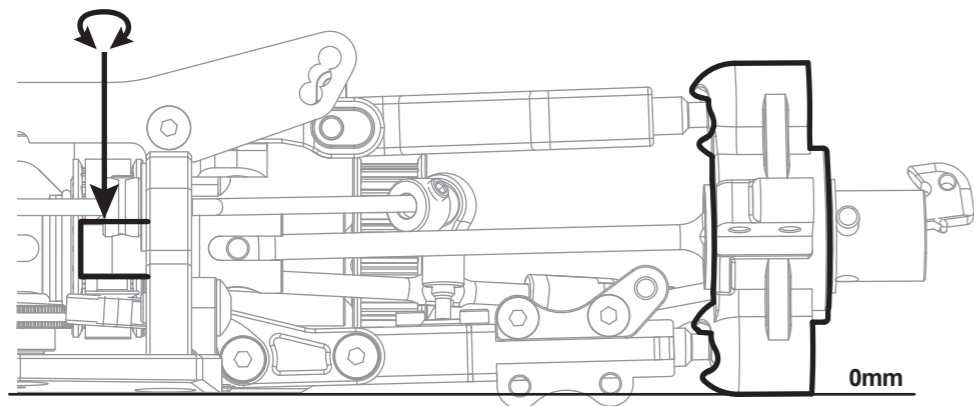
R806005
5x10x4mm
Flange Ball Bearing (2)

1:1 Scale



NOTICE

Initial front droop setup

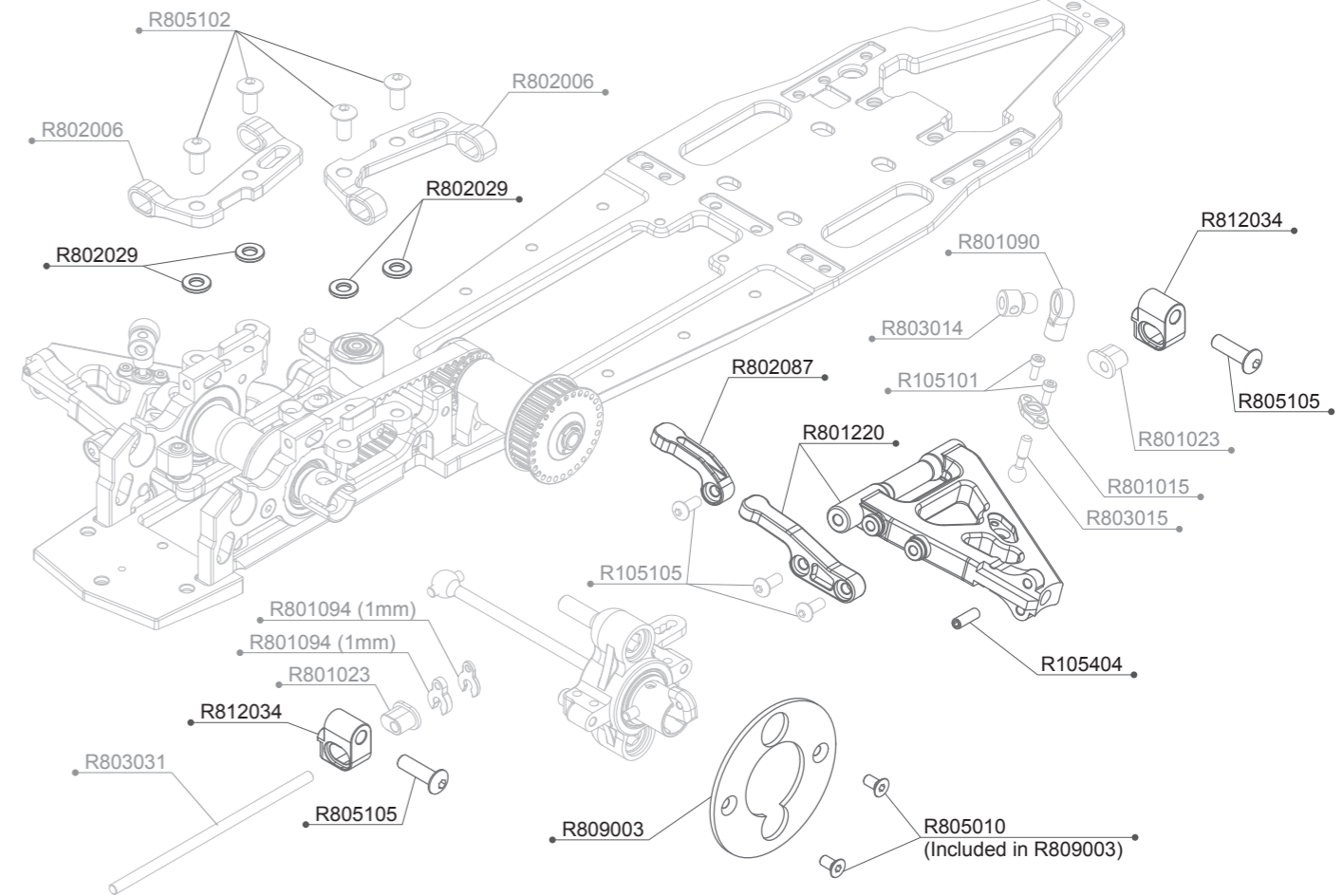


Please setup the front droop as above instruction.

R105401 3x3mm Set Screw (10)
R806005 5x10x4 Flange Ball Bearing (2)

R807016 Front Anti-Roll Bar 2.4mm
R823003 Anti-Roll Bar Stopper 2.0-2.4 (2)

R8.2 BAG 02 OPTION PARTS EXPLOR VIEW



OPTION PARTS LIST

R105404 3x10mm Set Screw (10)
R801220 Front Low Arm-Short
R802029 4x8x1mm Shims (8)
R802087 Front Down Stop Arm-Alu (2)

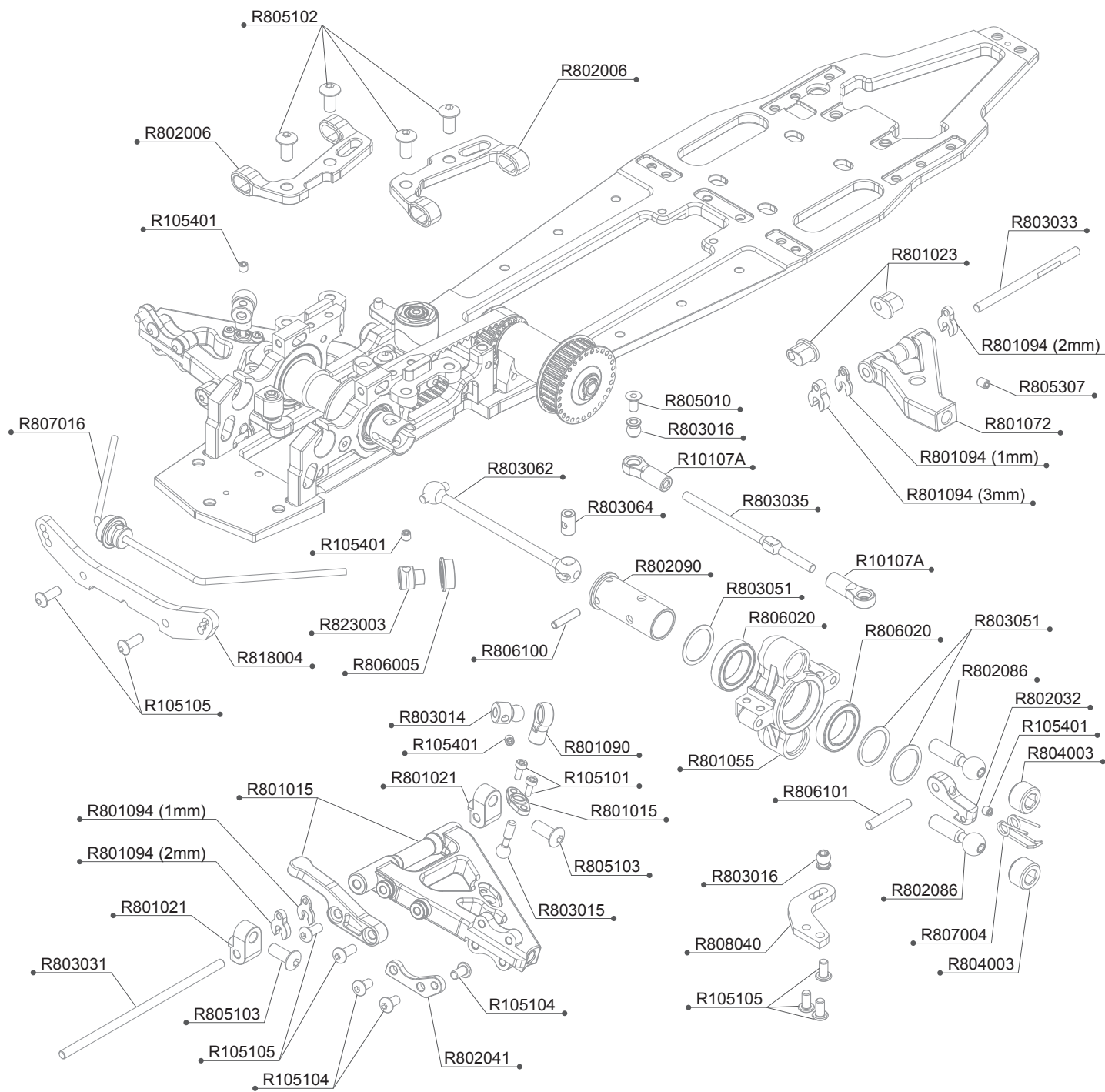
R805010 3x5mm Flat Screw (10)
R805105 4x14 Round Screw (10)
R809003 R8.0 Air Disk Set (F&R)
R812034 Front Low Arm Holder-Alu (4)

1:1 SCALE

R105105 3x8 Round Screw (10)
 R805102 4x8 Round Screw (10)
 R805105 4x14 Round Screw (10)
 R105404 3x10mm Set Screw (10)

R105101 2x5mm Cap Screw (10)
 R805010 3x5mm Flat Screw (10)
 R802029 4x8x1mm Shims (8)

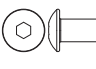

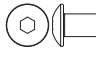




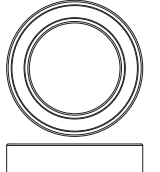



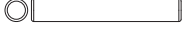
R8.2 BAG 02 PARTS EXPLORE VIEW

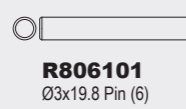
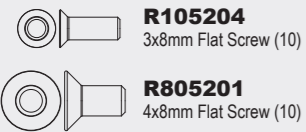


R8.2 BAG 02 PARTS LIST

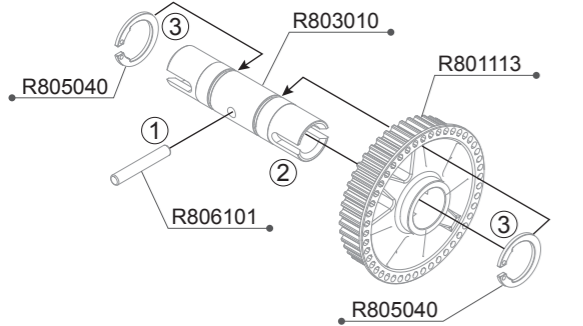
R10107A	Ball Joint 4.9mm Open (6pcs)	R803031	Front Low Arm Pin 3x77.8
R105101	2x5mm Cap Screw (10)	R803033	Front Upper Arm Pin 3x49
R105104	3x6 Round Screw (10)	R803035	3mm X 62mm Rod (2)
R105105	3x8 Round Screw (10)	R803051	12.1x15x0.5mm Shims (10)
R105401	3x3mm Set Screw (10)	R803062	Front CVD Shaft (2)
R801015	Front Low Arm Set	R803064	CVD Insert (2)
R801021	Front Low Arm Holder (4)	R804003	7.9mm Ball End Nut (4)
R801023	Suspension Bracket Insert-Open (8)	R805010	3x5mm Flat Screw (10)
R801055	Steering Block	R805102	4x8 Round Screw (10)
R801072	Front Upper Arm (2)	R805103	4x10 Round Screw (10)
R801090	Ball End 5.8mm (4)	R805307	3x6mm Set (10)
R801094	C Spacer Set 1mm/2mm/3mm	R806005	5x10x4 Flange Ball Bearing (2)
R802006	Front Upper Arm Bracket	R806020	12x18x4 Ball Bearing (4)
R802032	Front Tire Hook (2)	R806100	Pin 2.5x11.8 (6)
R802041	Front Shock Mount S (2)	R806101	Pin 3x19.8 (6)
R802086	7.9mm Ball End Long-Alu (4)	R807004	Tire Hook Spring (4)
R802090	Front Wheel Axle - Alu (2)	R807016	Front Anti-Roll Bar 2.4mm
R803014	Anti Roll Bar Ball Head (2)	R808040	Front Steering Plate Carbon (2)
R803015	Anti Roll Bar Screw (2)	R818004	R8.1 Front Shock Tower
R803016	Ball Head 4.9mm (4)	R823003	Anti-Roll Bar Stopper 2.0-2.4 (2)

1:1 SCALE

	R105104 3x6 Round Screw (10)		R105101 2x5mm Cap Screw (10)
	R105105 3x8 Round Screw (10)		R805010 3x5mm Flat Screw (10)
	R805102 4x8 Round Screw (10)		R806005 5x10x4mm Flange Ball Bearing (2)
	R805103 4x10 Round Screw (10)		R806020 12x18x4mm Ball Bearing (4)
	R105401 3x3mm Set Screw (10)		
	RR805307 3x6mm Set Screw (10)		
	R806100 Ø2.5x11.8 Pin (6)		
	R806101 Ø3x19.8 Pin (6)		

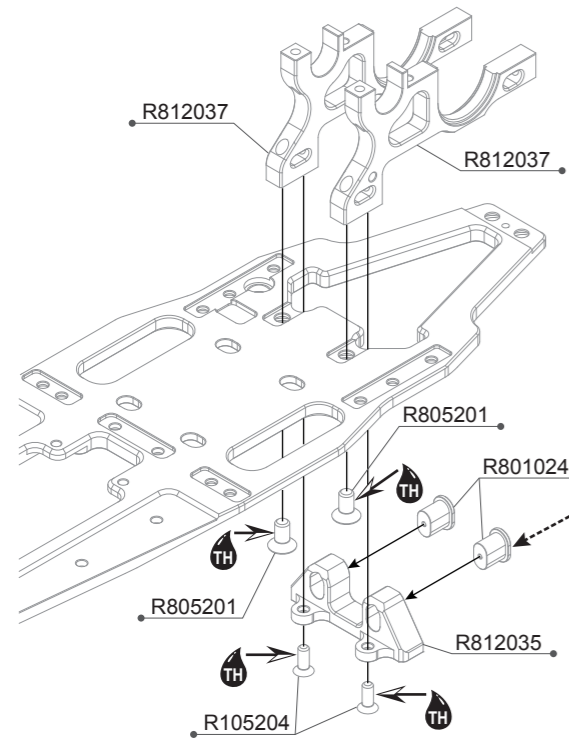
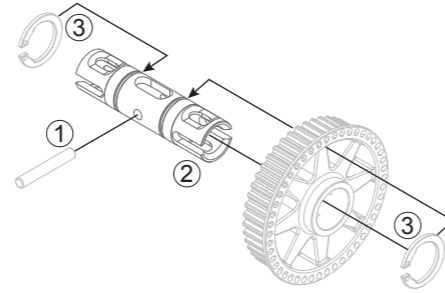


1:1 Scale



Option Parts (Not Included)

R823010 R8.2 Rear Solid Axle-Light
The optional lightweight rear solid axle will reduce 5g and improve the efficiency of acceleration.



NOTICE

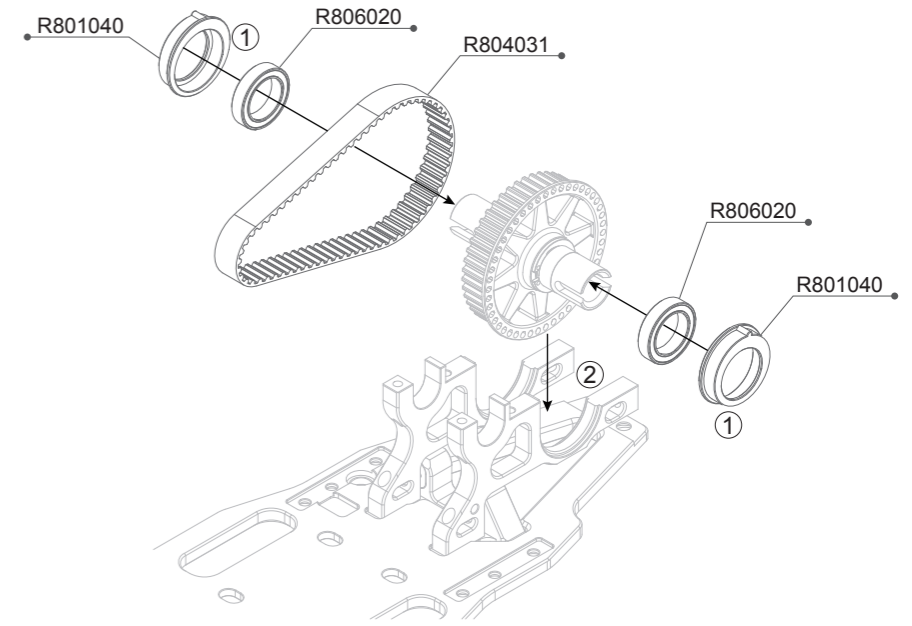
DEFAULT SETUP
LOW Roll Center

MIDDLE Roll Center

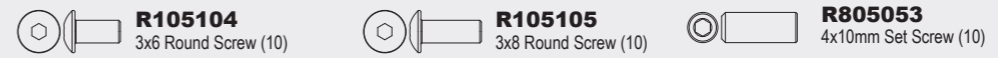
- | | |
|--|--------------------------------------|
| R105204 3x8mm Flat Screw (10) | R805201 4x8mm Flat Screw (10) |
| R801024 Suspension Bracket Insert-Closed (8) | R806101 Pin 3x19.8 (6) |
| R801113 Pulley Set -Rear | R812035 R8.2 Rear Low Arm Bracket RF |
| R803010 Rear Solid Axle | R812037 R8.2 Rear Low Bulkhead |
| R805040 12mm C Clip (6) | |



1:1 Scale



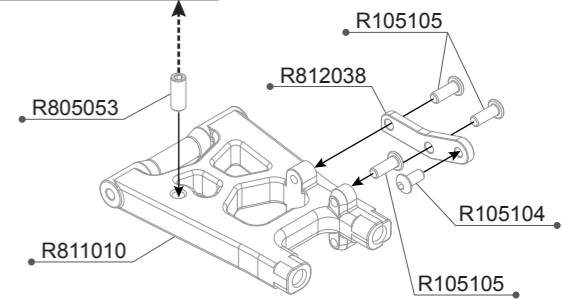
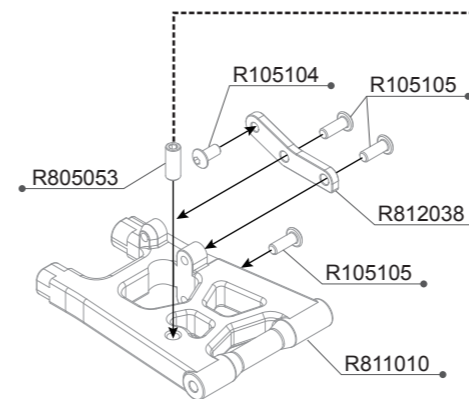
- | | |
|---|----------------------------------|
| R801040 Bearing Bushing -Solid Axle (2) | R806020 12x18x4 Ball Bearing (4) |
| R804031 Rear Belt 201-8 | |



1:1 Scale

Option Parts (Not Included)

R813005 Dowstop Adjust Screw (4)
Use reversed direction to install adjust screw

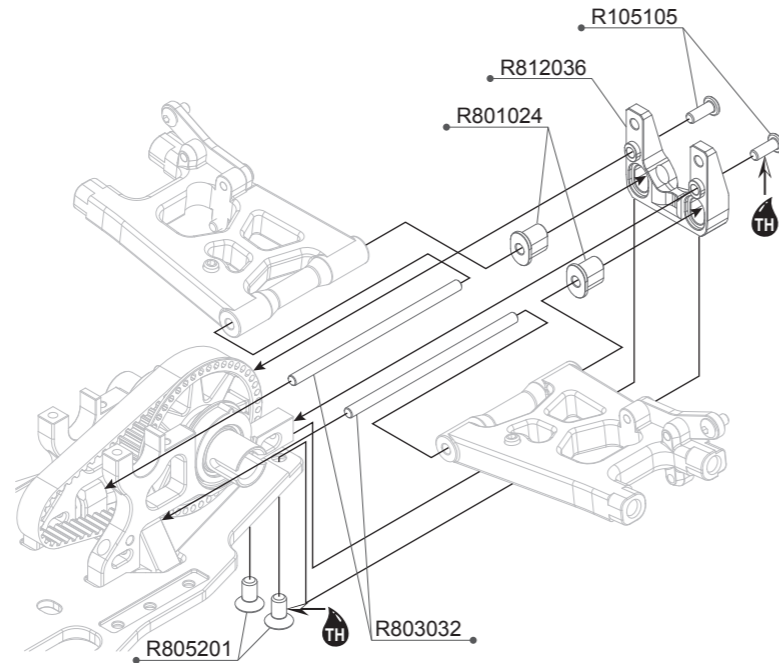
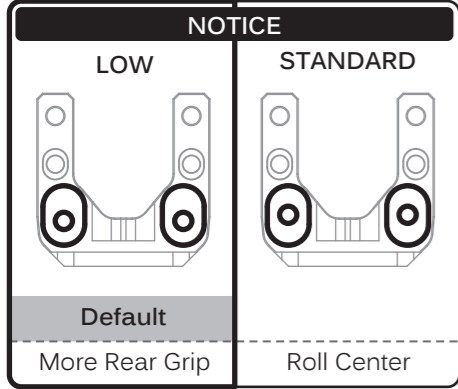


- | | |
|-------------------------------|---------------------------------------|
| R105104 3x6 Round Screw (10) | R811010 R8.2 Rear Low Arm-Long |
| R105105 3x8 Round Screw (10) | R812038 R8.2 Rear Low Shock Mount (2) |
| R805053 4x10mm Set Screw (10) | |

R105105
3x8 Round Screw (10)

R805201
4x8mm Flat Screw (10)

1:1 Scale

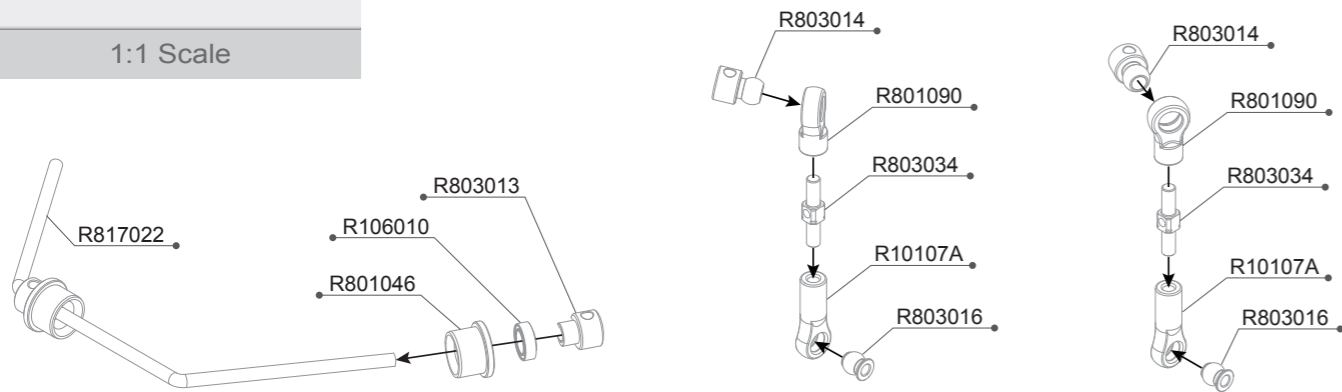


R105105 3x8 Round Screw (10)
R801024 Suspension Bracket Insert-Closed (8)
R803032 Rear Low Arm Pin

R805201 4x8mm Flat Screw (10)
R812036 R8.2 Rear Low Arm Bracket RR

R106010
5x8x2.5mm Ball Bearing (4)

1:1 Scale

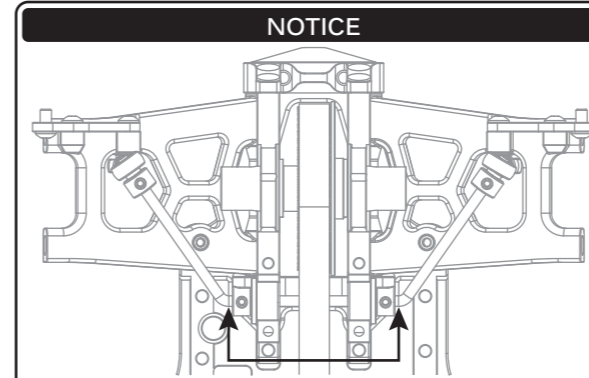


R10107A Ball Joint 4.9mm Open (6pcs)
R106010 5x8x2.5mm Ball Bearing (4pcs)
R801046 Anti-Roll Bar Bushing -Front (2)
R801090 Ball End 5.8mm (4)
R803013 Anti Roll Bar Stopper (2)

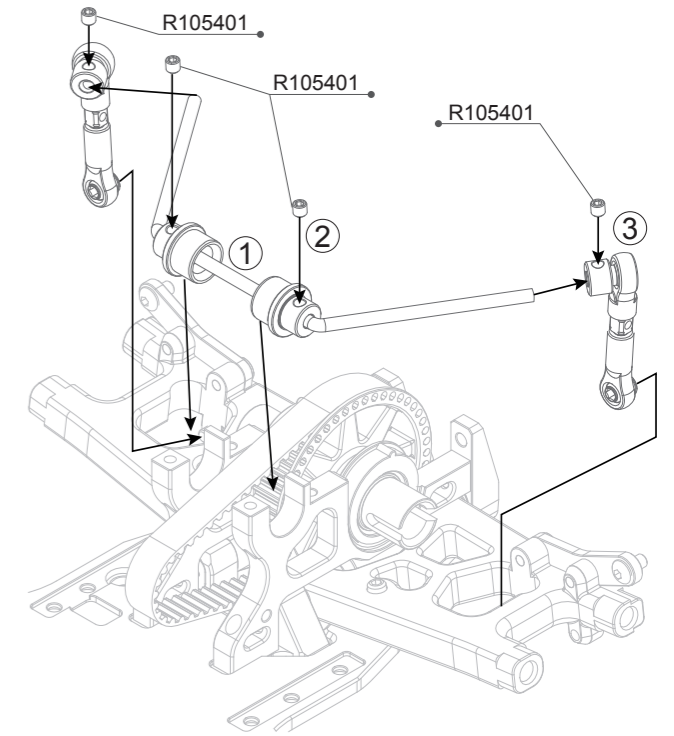
R803014 Anti Roll Bar Ball Head (2)
R803016 Ball Head 4.9mm (4)
R803034 3mm X 15mm Turnbuckle
R817022 R8.1 Rear Anti-Roll Bar 2.8mm

R105401
3x3mm Set Screw (10)

1:1 Scale

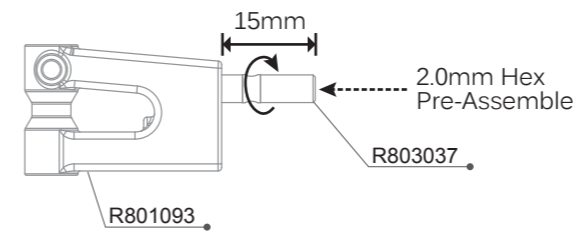


Center the anti roll bar so that the spacing is equal on both sides.

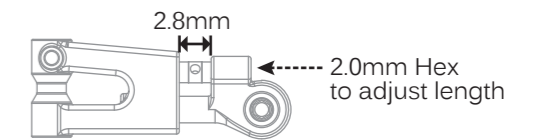
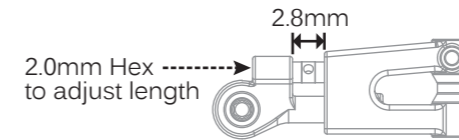
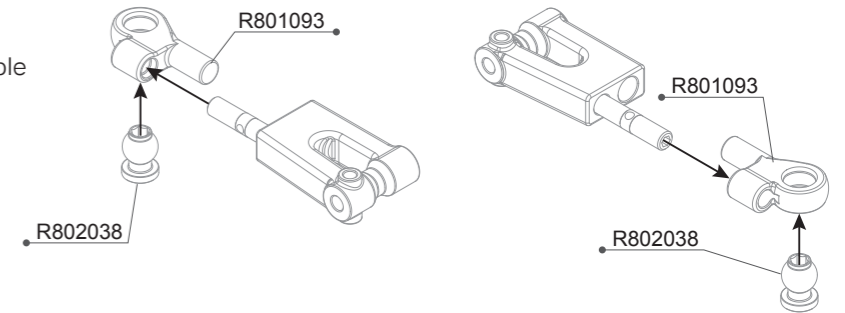


R105401 3x3mm Set Screw (10)

Step 1



Step 2

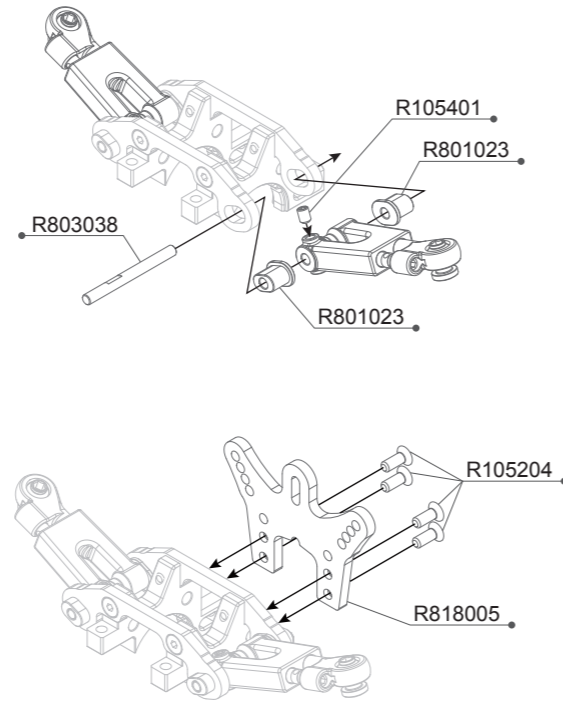
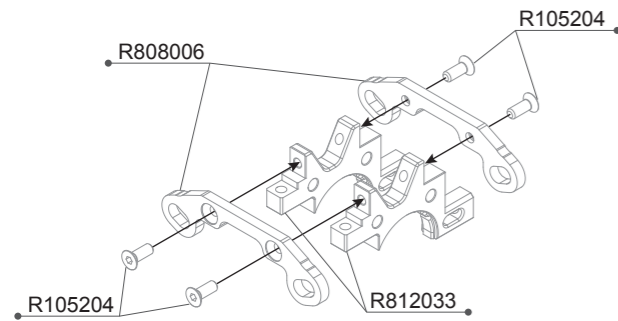





R801093 Rear Upper Arm Set
R802038 Alu Ball Head 6.8mm (2)

R803037 4mm X 17mm Turnbuckle (2)




-  **R105401** 3x3mm Set Screw (10)
-  **R105204** 3x8mm Flat Screw (10)

1:1 Scale





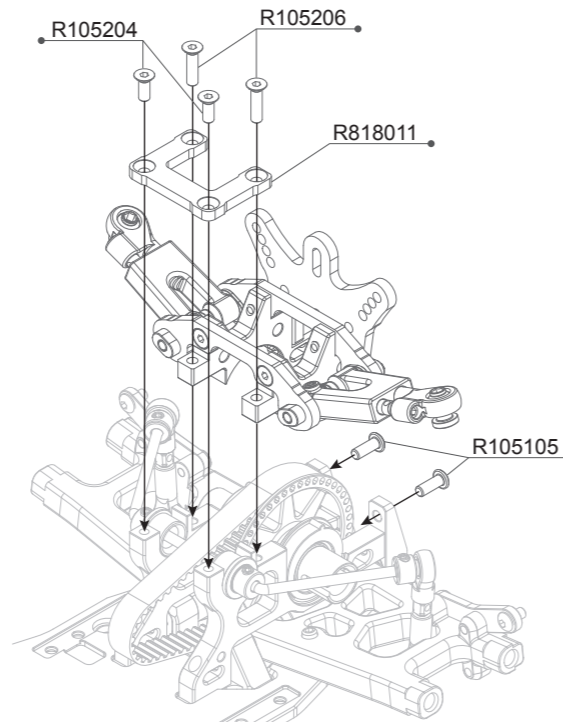
NOTICE		
		
Less Rear Grip	Default Setup	More Rear Grip

- R105204 3x8mm Flat Screw (10)
- R105401 3x3mm Set Screw (10)
- R801023 Suspension Bracket Insert-Open (8)
- R803038 Rear Upper Arm Pin 3x32.5 (2)
- R808006 Rear Upper Link Plate
- R818005 R8.1 Rear Shock Tower
- R812033 R8.1 Rear Bulkhead Upper

-  **R105105** 3x8 Round Screw (10)
-  **R105204** 3x8mm Flat Screw (10)
-  **R105206** 3x12mm Flat Screw (10)

1:1 Scale

NOTICE	
	
Tighten	Loosen
TO ADJUST BELT TENSION	

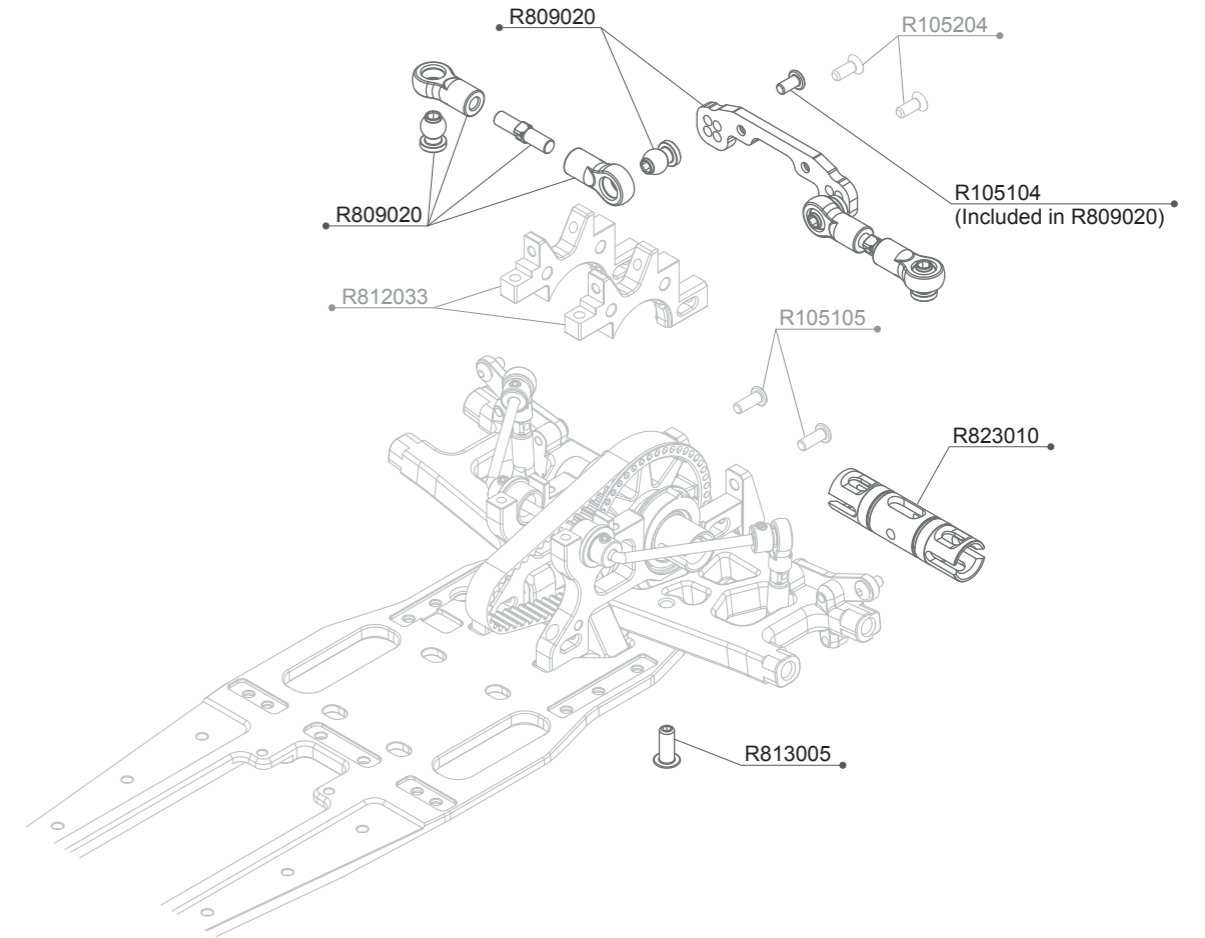


- R105105 3x8 Round Screw (10)
- R105204 3x8mm Flat Screw (10)
- R105206 3x12mm Flat Screw (10)
- R818011 R8.1 Rear Anit-Roll Bar Cover

Option Parts (Not Included)

R809020 R8.0 Rear I-Type Upper Arm Set

The I-type arm is useful to fine-tune the car. It gives more options to choose different link angles and makes the rear end respond quicker.



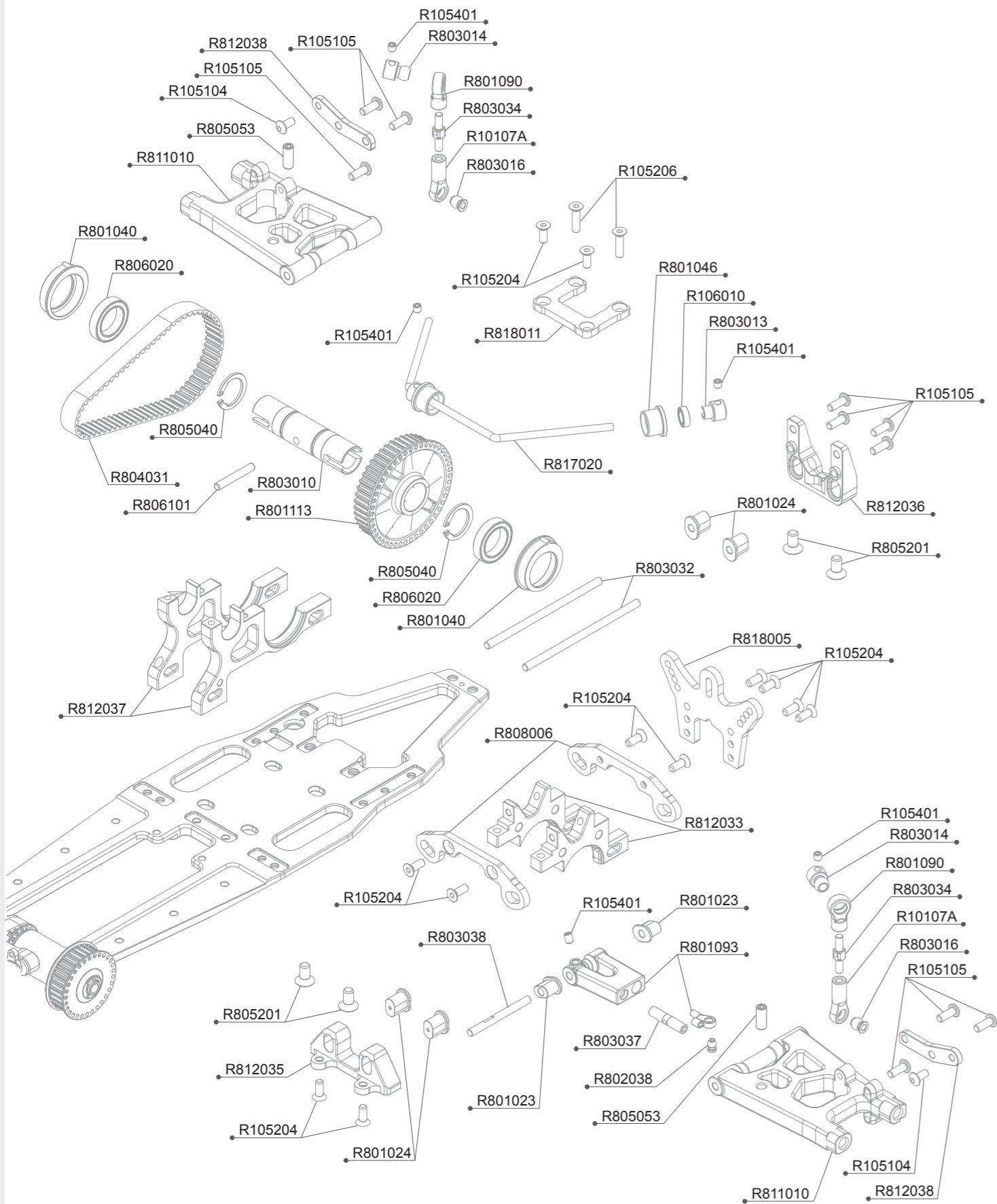
OPTION PARTS LIST

- R105104 3x6 Round Screw (10)
- R809020 R8.0 Rear I-Type Upper Arm Set
- R813005 Dowstop Adjust Screw (4)
- R823010 R8.2 Rear Solid Axle-Light

1:1 SCALE

-  **R105104** 3x6 Round Screw (10)
-  **R105204** 3x8mm Flat Screw (10)
-  **R105105** 3x8 Round Screw (10)


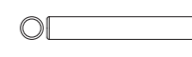
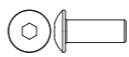




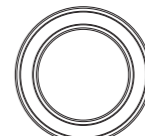



R8.2 BAG 03 PARTS EXPLORE VIEW


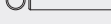
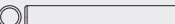




R8.2 BAG 03 PARTS LIST

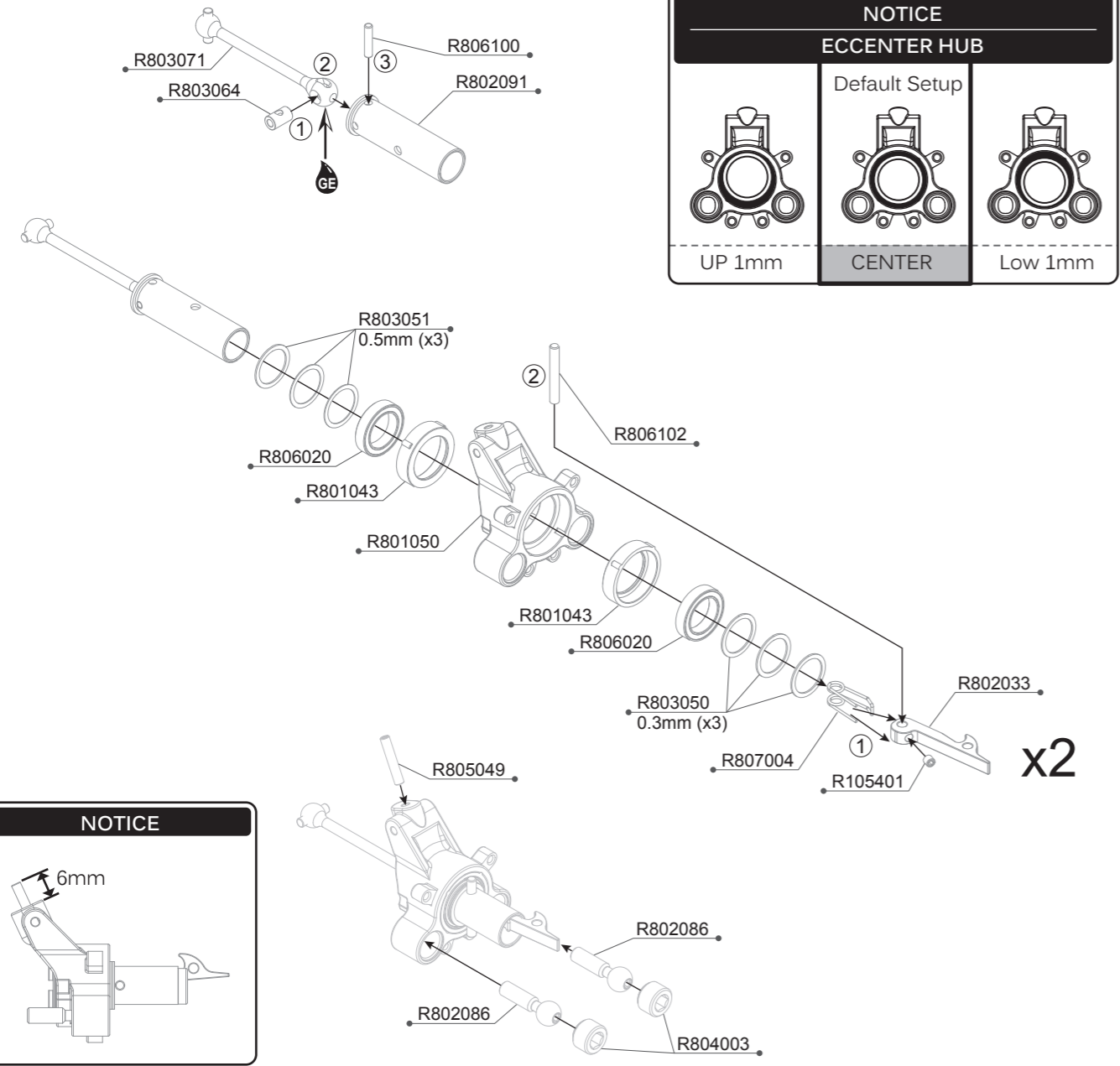
R10107A	Ball Joint 4.9mm Open (6pcs)	R803034	3mm X 15mm Turnbuckle
R105104	3x6 Round Screw (10)	R803037	4mm X 17mm Turnbuckle (2)
R105105	3x8 Round Screw (10)	R803038	Rear Upper Arm Pin 3x32.5 (2)
R105204	3x8mm Flat Screw (10)	R804031	Rear Belt 201-8
R105206	3x12mm Flat Screw (10)	R805040	12mm C Clip (6)
R105401	3x3mm Set Screw (10)	R805053	4x10mm Set Screw (10)
R106010	5x8x2.5mm Ball Bearing (4pcs)	R805201	4x8mm Flat Screw (10)
R801023	Suspension Bracket Insert-Open (8)	R806020	12x18x4 Ball Bearing (4)
R801024	Suspension Bracket Insert-Closed (8)	R806101	Pin 3x19.8 (6)
R801040	Bearing Bushing -Solid Axle (2)	R808006	Rear Upper Link Plate
R801046	Anti-Roll Bar Bushing -Front (2)	R811010	R8.2 Rear Low Arm-Long
R801090	Ball End 5.8mm (4)	R812033	R8.1 Rear Bulkhead Upper
R801093	Rear Upper Arm Set	R812035	R8.2 Rear Low Arm Bracket RF
R801113	Pulley Set -Rear	R812036	R8.2 Rear Low Arm Bracket RR
R802038	Alu Ball Head 6.8mm (2)	R812037	R8.2 Rear Low Bulkhead
R803010	Rear Solid Axle	R812038	R8.2 Rear Low Shock Mount (2)
R803013	Anti Roll Bar Stopper (2)	R817020	R8.1 Rear Anti-Roll Bar 3.0mm
R803014	Anti Roll Bar Ball Head (2)	R818005	R8.1 Rear Shock Tower
R803016	Ball Head 4.9mm (4)	R818011	R8.1 Rear Anit-Roll Bar Cover
R803032	Rear Low Arm Pin		

1:1 SCALE



	R105104 3x6 Round Screw (10)		R806101 Ø3x19.8 Pin (6)
	R105105 3x8 Round Screw (10)		R106010 5x8x2.5mm Ball Bearing (4)
	R105204 3x8mm Flat Screw (10)		R805040 12mm C Clip (6)
	R105206 3x12mm Flat Screw (10)		R806020 12x18x4mm Ball Bearing (4)
	R805201 4x8mm Flat Screw (10)		
	R105401 3x3mm Set Screw (10)		
	R805053 4x10mm Set Screw (10)		

-  **R105401** 3x3mm Set Screw (10)
-  **R805049** 3x16mm Set Screw (10)
-  **R806100** Ø2.5x11.8 Pin (6)
-  **R806102** Ø3x20.8 Pin (6)
-  **R803050** 12.1x15x0.3mm Shims (10)
-  **R803051** 12.1x15x0.5mm Shims (10)
-  **R806020** 12x18x4mm Ball Bearing (4)

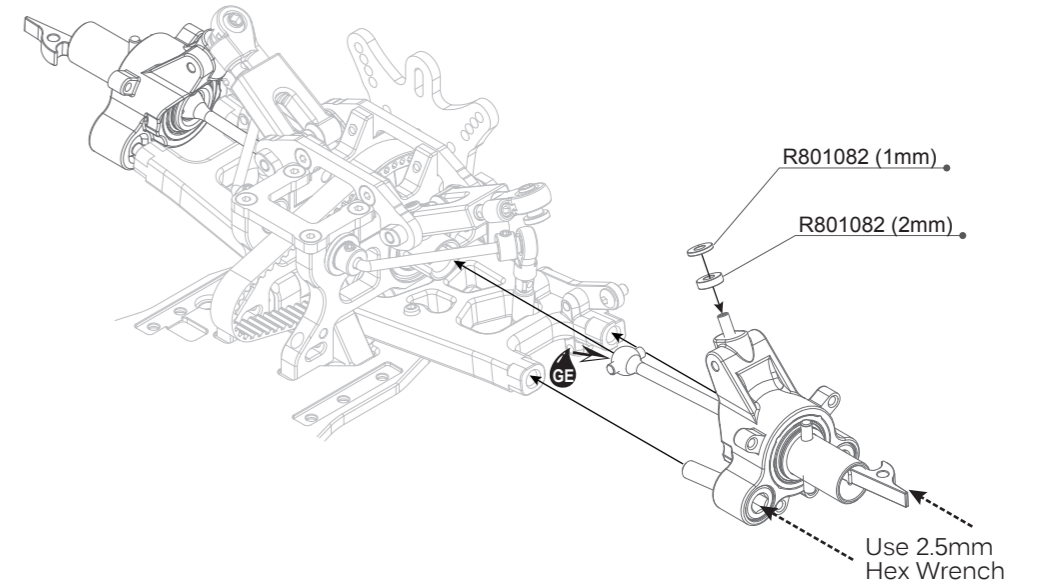
1:1 Scale



- | | |
|--|----------------------------------|
| R105401 3x3mm Set Screw (10) | R803064 CVD Insert (2) |
| R801043 Excenter Rear Upright Bushing 0/+1 (8) | R803071 Rear CVD Shaft (2) |
| R801050 Rear Upright | R804003 7.9mm Ball End Nut (4) |
| R802033 Rear Tire Hook (2) | R805049 3x16mm Set Screw (10) |
| R802086 7.9mm Ball End Long-Alu (4) | R806020 12x18x4 Ball Bearing (4) |
| R802091 Rear Wheel Axle - Alu (2) | R806100 Pin 2.5x11.8 (6) |
| R803050 12.1x15x0.3mm Shims (10) | R806102 Pin 3x20.8 (6) |
| R803051 12.1x15x0.5mm Shims (10) | R807004 Tire Hook Spring (4) |

-  **R801082** 3x7x1mm Shims (2)
-  **R801082** 3x7x1mm Shims (2)

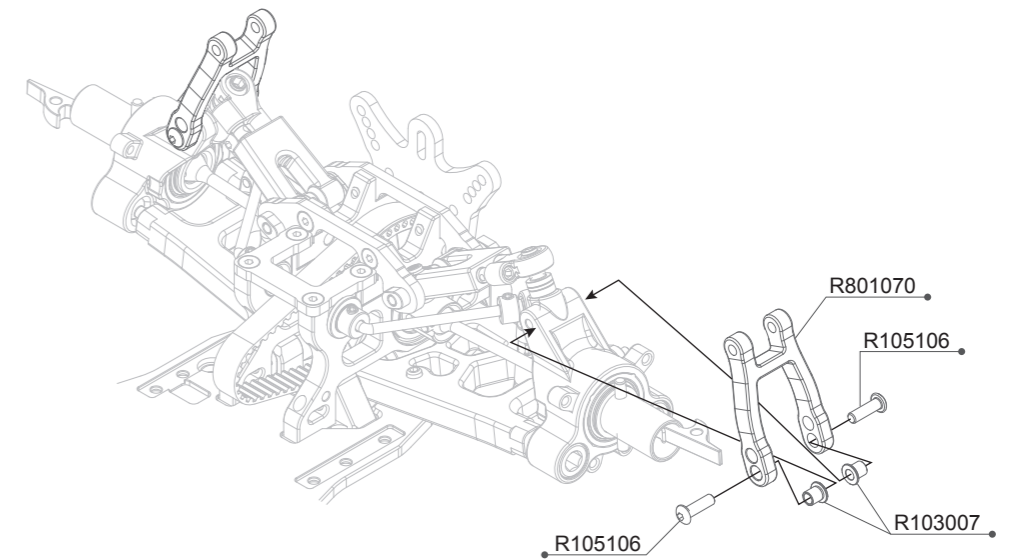
1:1 Scale



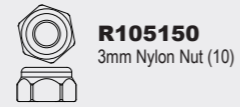
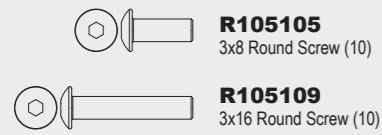
- R801082 3x7x1mm & 2mm Shims (2)

-  **R105106** 3x10 Round Screw (10)

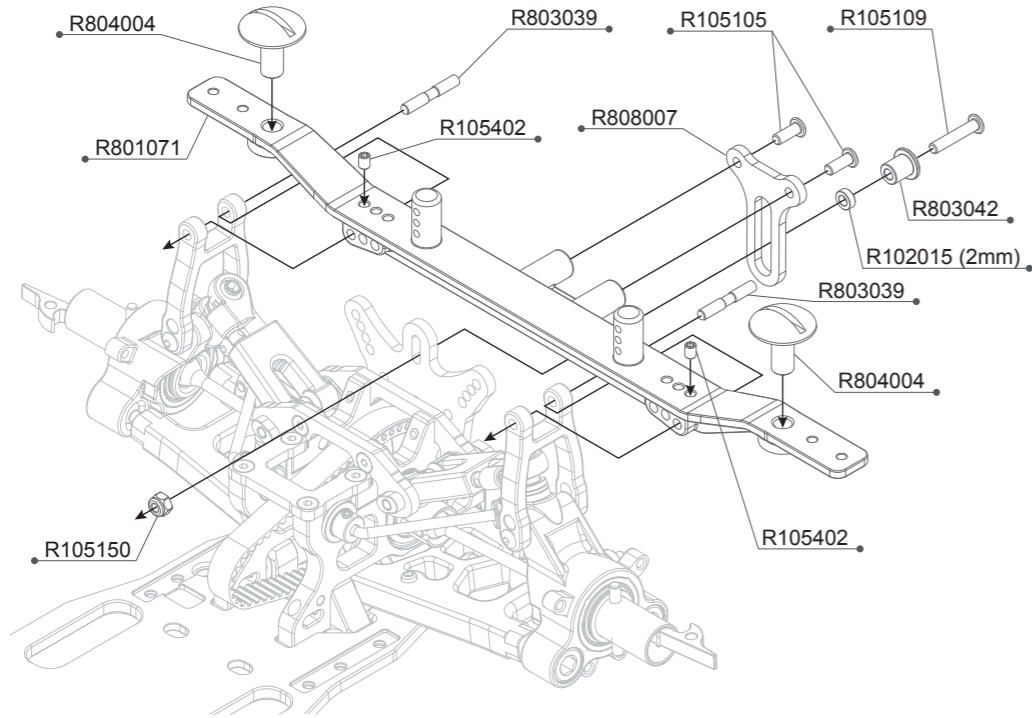
1:1 Scale



- | | |
|--------------------------------------|---------------------------------|
| R103007 Steering Block Bushing(4pcs) | R801070 Rear Body Mount Arm (2) |
| R105106 3x10 Round Screw (10) | |



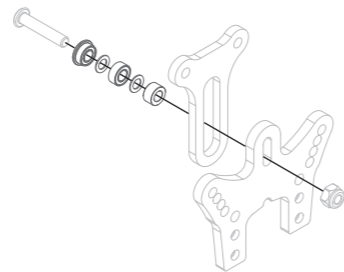
1:1 Scale



Option Parts (Not Included)

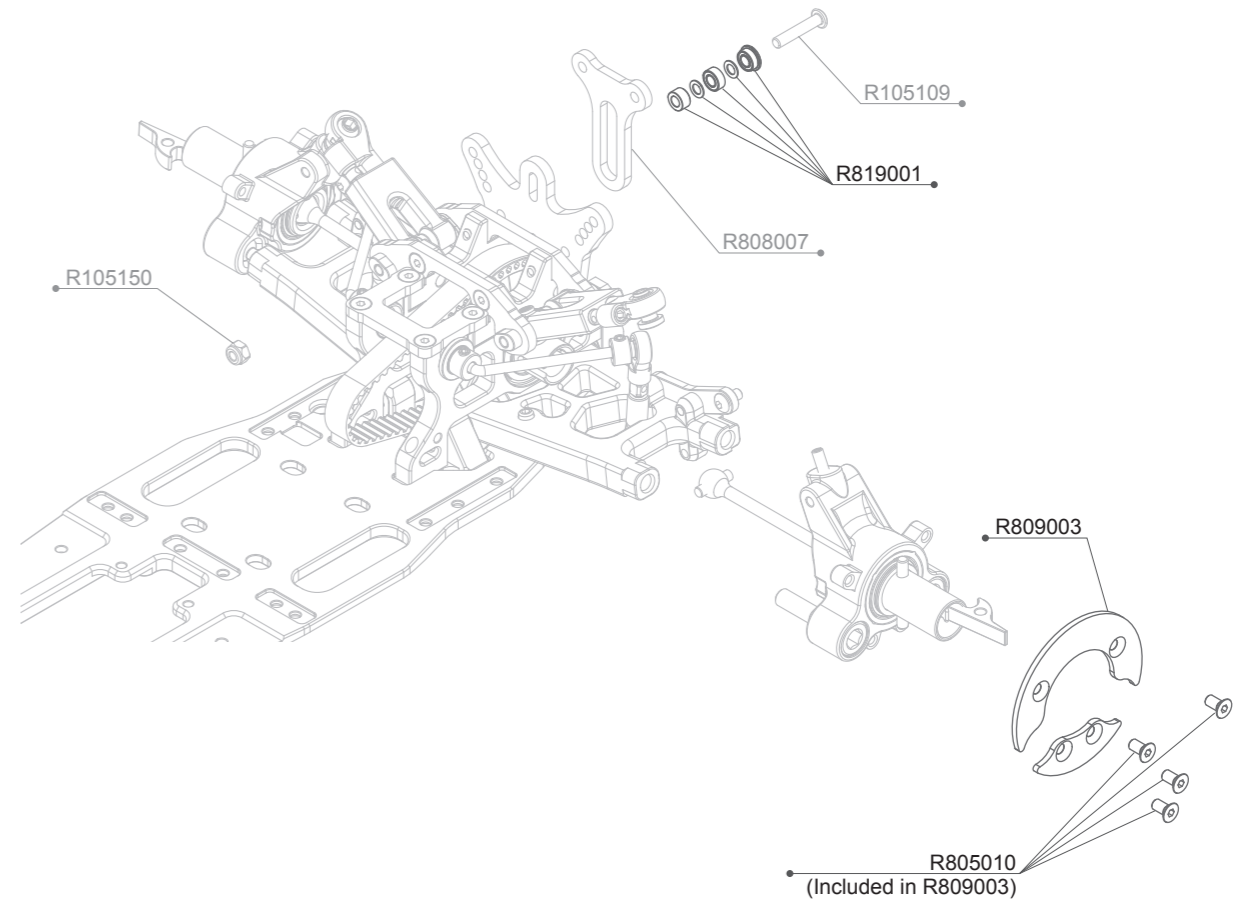
R819001 R8.1 Rear Body Mount Ball Bearing Tower Set

Function: Less friction for rear body tower



- R102015 3x5.5x2mm Alu Shims(8pcs)
- R105105 3x8 Round Screw (10)
- R105109 3x16 Round Screw (10)
- R105150 3mm Nylon Nut (10)
- R105402 3x4mm Set Screw (10)

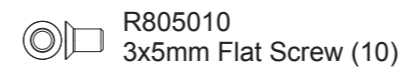
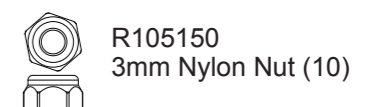
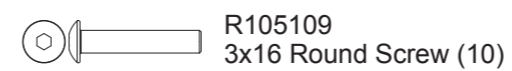
- R801071 Rear Body Mount
- R803039 Rear Body Mount Pin 3x19.5 (2)
- R803042 Rear Body Mount Nut
- R804004 Body Mount Screw(4)
- R808007 Rear Body Mount Plate



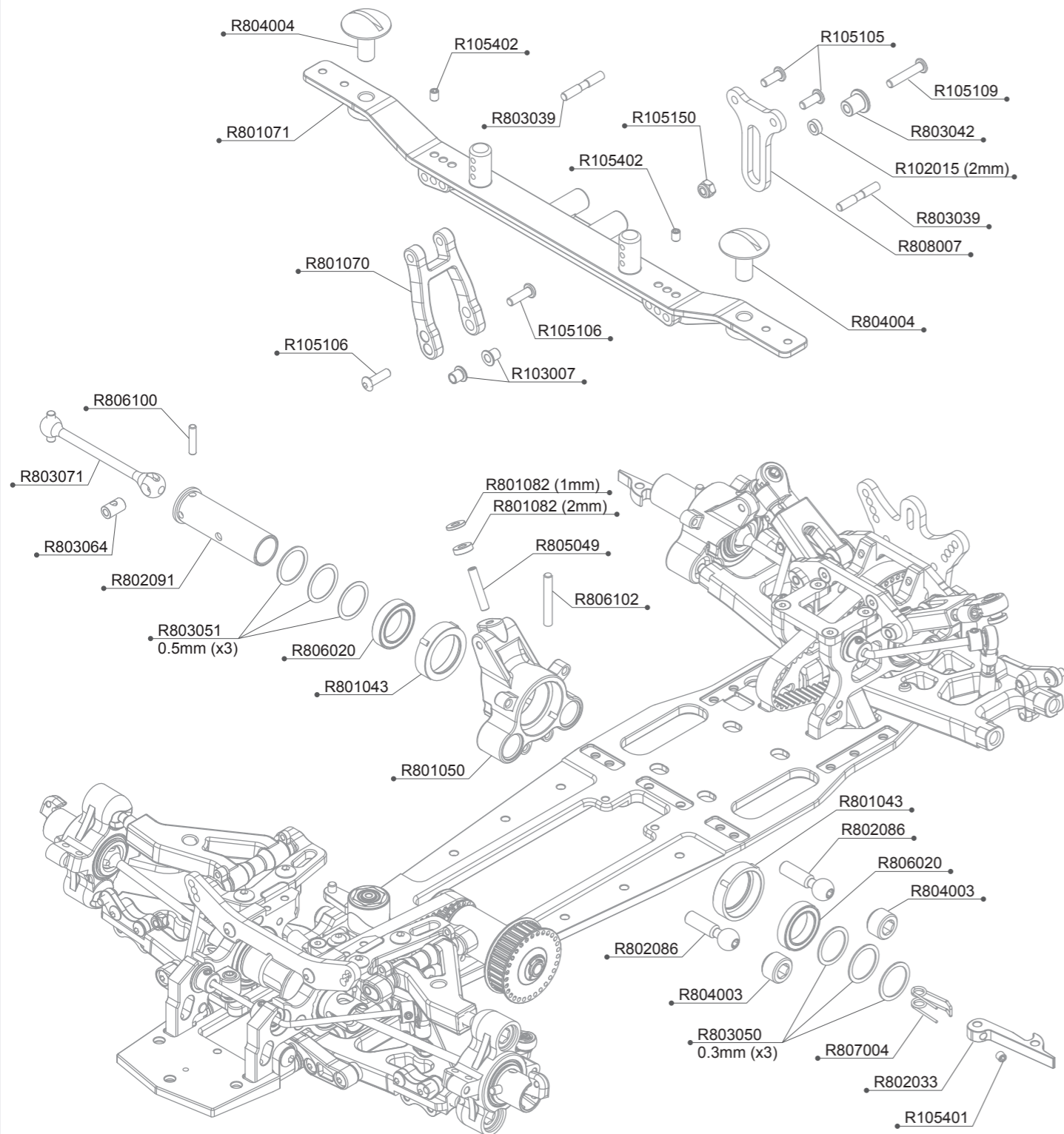
OPTION PARTS LIST

- R805010 3x5mm Flat Screw (10)
- R809003 R8.0 Air Disk Set (F&R)
- R819001 R8.1 Rear Body Mount Ball Bearing Tower Set

1:1 SCALE



R8.2 BAG 04 PARTS EXPLORE VIEW



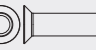




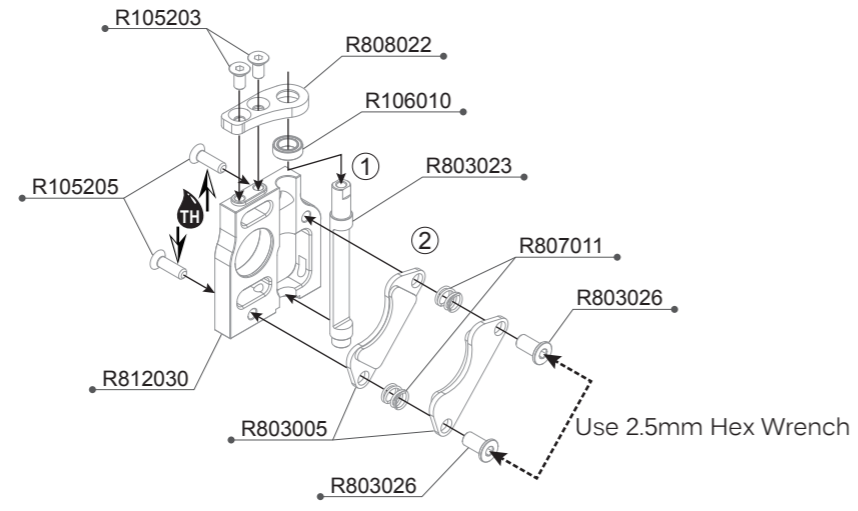
R8.2 BAG 04 PARTS LIST

R102015	3x5.5x2mm Alu Shims(8pcs)	R802091	Rear Wheel Axle - Alu (2)
R103007	Steering Block Bushing(4pcs)	R803039	Rear Body Mount Pin 3x19.5 (2)
R105105	3x8 Round Screw (10)	R803042	Rear Body Mount Nut
R105106	3x10 Round Screw (10)	R803050	12.1x15x0.3mm Shims (10)
R105109	3x16 Round Screw (10)	R803051	12.1x15x0.5mm Shims (10)
R105150	3mm Nylon Nut (10)	R803064	CVD Insert (2)
R105401	3x3mm Set Screw (10)	R803071	Rear CVD Shaft (2)
R105402	3x4mm Set Screw (10)	R804003	7.9mm Ball End Nut (4)
R801043	Excenter Rear Upright Bushing 0/+1 (8)	R804004	Body Mount Screw(4)
R801050	Rear Upright	R805049	3x16mm Set Screw (10)
R801070	Rear Body Mount Arm (2)	R806020	12x18x4 Ball Bearing (4)
R801071	Rear Body Mount	R806100	Pin 2.5x11.8 (6)
R801082	3x7x1mm & 2mm Shims (2)	R806102	Pin 3x20.8 (6)
R802033	Rear Tire Hook (2)	R807004	Tire Hook Spring (4)
R802086	7.9mm Ball End Long-Alu (4)	R808007	Rear Body Mount Plate

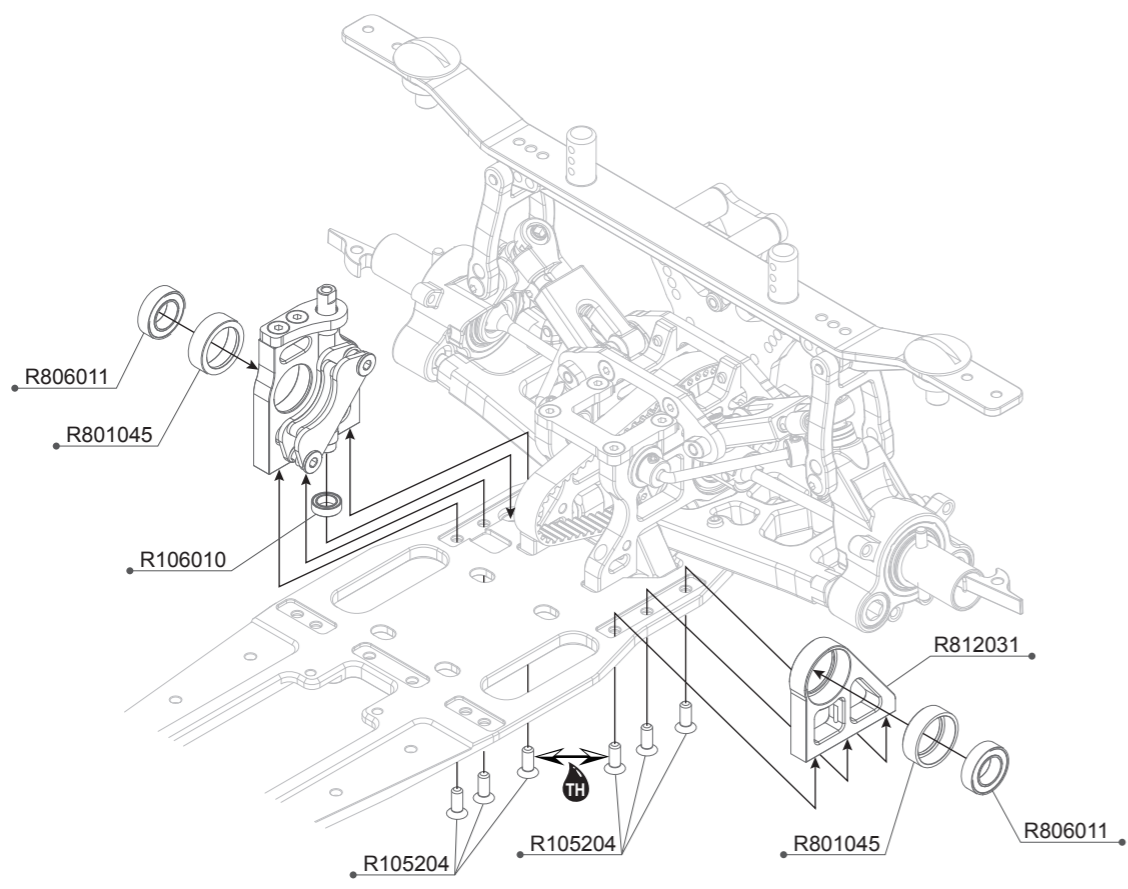
1:1 SCALE

	R102015 3x5.5x2mm Alu Shims (8)		R805049 3x16mm Set Screw (10)
	R801082 3x7x1mm & 2mm Shims (2)		R806100 Ø2.5x11.8 Pin (6)
	R801082 3x7x1mm & 2mm Shims (2)		R806102 Ø3x20.8 Pin (6)
	R105401 3x3mm Set Screw (10)		R105150 3mm Nylon Nut (10)
	R105402 3x4mm Set Screw (10)		R806020 12x18x4mm Ball Bearing (4)
	R105105 3x8 Round Screw (10)		R803050 12.1x15x0.3mm Shims (10)
	R105106 3x10 Round Screw (10)		R803051 12.1x15x0.5mm Shims (10)
	R105109 3x16 Round Screw (10)		


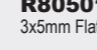
-  **R105203**
3x6mm Flat Screw (10)
-  **R105204**
3x8mm Flat Screw (10)
-  **R105205**
3x10mm Flat Screw (10)
-  **R106010**
5x8x2.5mm Ball Bearing (4)
-  **R806011**
8x14x4mm Ball Bearing (2)



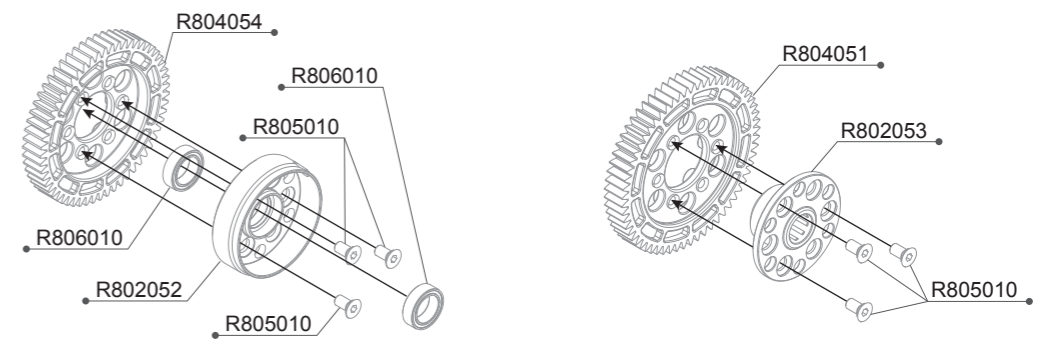
1:1 Scale





- | | | | |
|---------|---------------------------------|---------|------------------------------|
| R105203 | 3x6mm Flat Screw (10) | R803026 | Brake Pad Nut Long (2) |
| R105204 | 3x8mm Flat Screw (10) | R806011 | 8x14x4 Ball Bearing (2) |
| R105205 | 3x10mm Flat Screw (10) | R807011 | Brake Spring (2) |
| R106010 | 5x8x2.5mm Ball Bearing (4pcs) | R808022 | Brake Deck |
| R801045 | Bearing Bushing -Main Shaft (2) | R812030 | R8.1 2-Speed Shaft Bracket R |
| R803005 | Brake Pad | R812031 | R8.1 2-Speed Shaft Bracket L |
| R803023 | Brake Cam-High | | |

-  **R805010**
3x5mm Flat Screw (10)
-  **R806010**
8x12x3.5mm Ball Bearing (2)

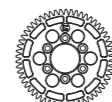
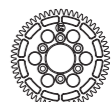

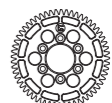
1:1 Scale



Spare Parts


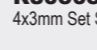
-  **R804051**
1st Spur 61T
-  **R804054**
2nd Spur 57T

Option Parts (Not Included)

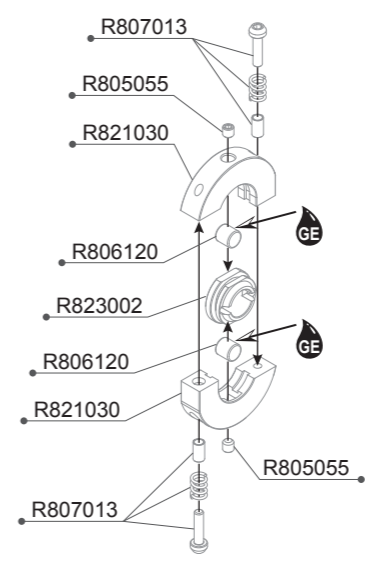
- | | |
|--|--|
|  R804052
1st Spur 62T |  R804055
2nd Spur 58T |
|  R804050
1st Spur 60T |  R804053
2nd Spur 56T |

- R802052 2-Speed Bell Housing
- R802053 1-Speed Spur Adaptor
- R804051 1st Spur 61T

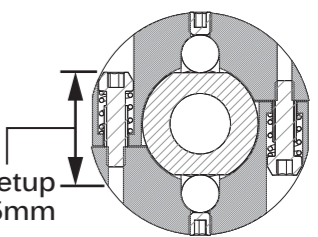
- R804054 2nd Spur 57T
- R805010 3x5mm Flat Screw (10)
- R806010 8x12x3.5 Ball Bearing (2)

-  **R805055**
4x3mm Set Screw (4)
-  **R806120**
Ø5x4.9 Pin (6)

1:1 Scale



NOTICE

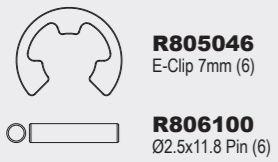


Initial setup
15.5mm

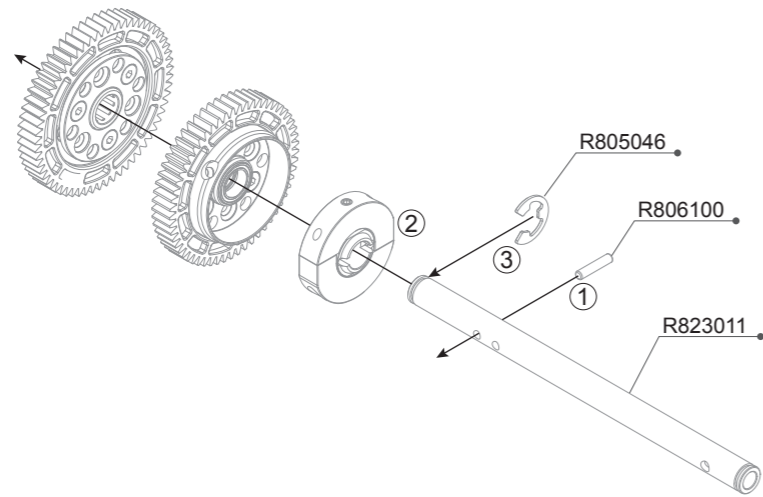
By tightening the screws, the 2 speed clutch will engage later, while loosening the screws will make the 2 speed clutch engage earlier.

- R805055 4x3mm Set Screw (4)
- R806120 Pin 5x4.9 (6)
- R807013 2 Speed Spring Set

- R821030 R8.2 2-Speed Shoes (2)
- R823002 R8.2 2-Speed Adaptor

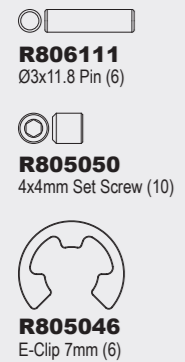


1:1 Scale

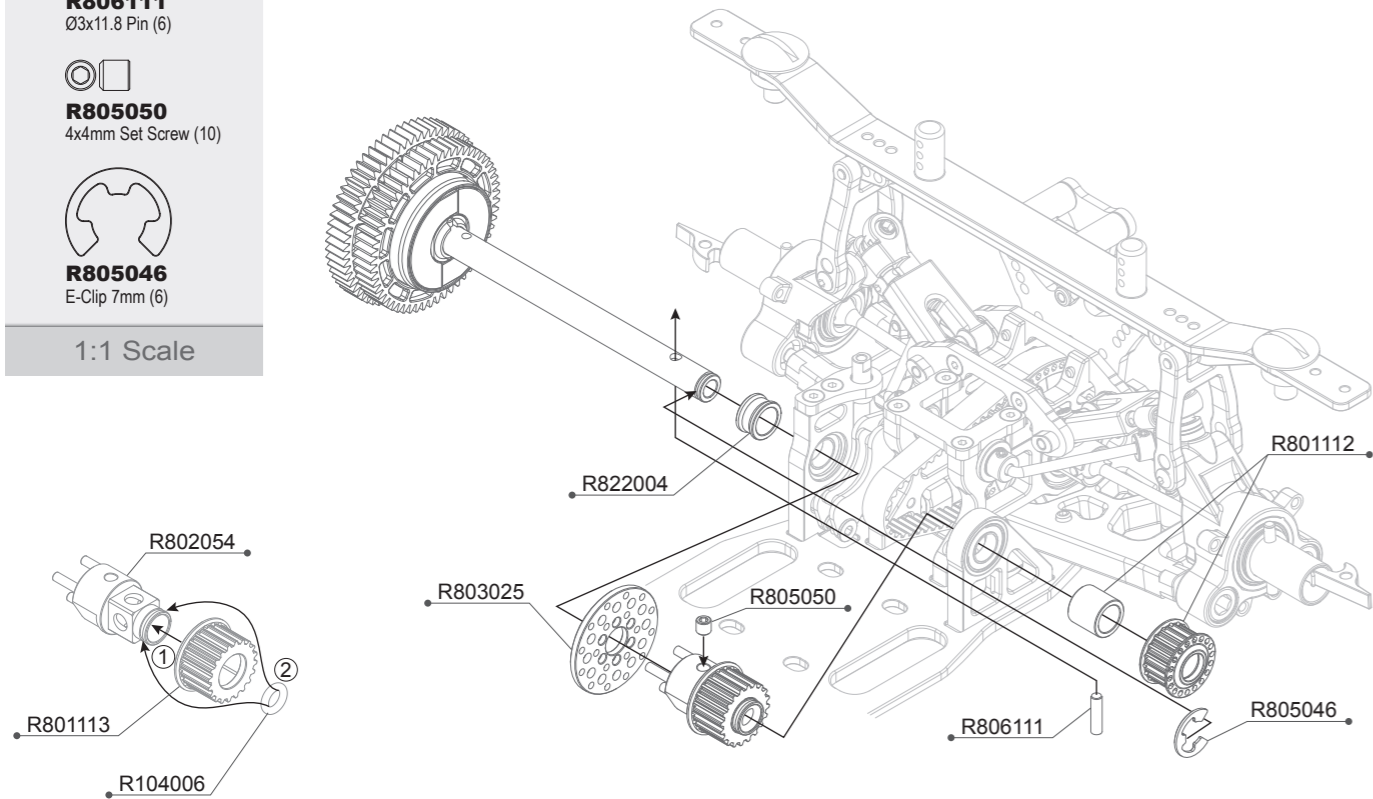


R805046 E-Clip 7mm (6)
R806100 Pin 2.5x11.8 (6)

R823011 R8.2 2 Speed Main Shaft



1:1 Scale

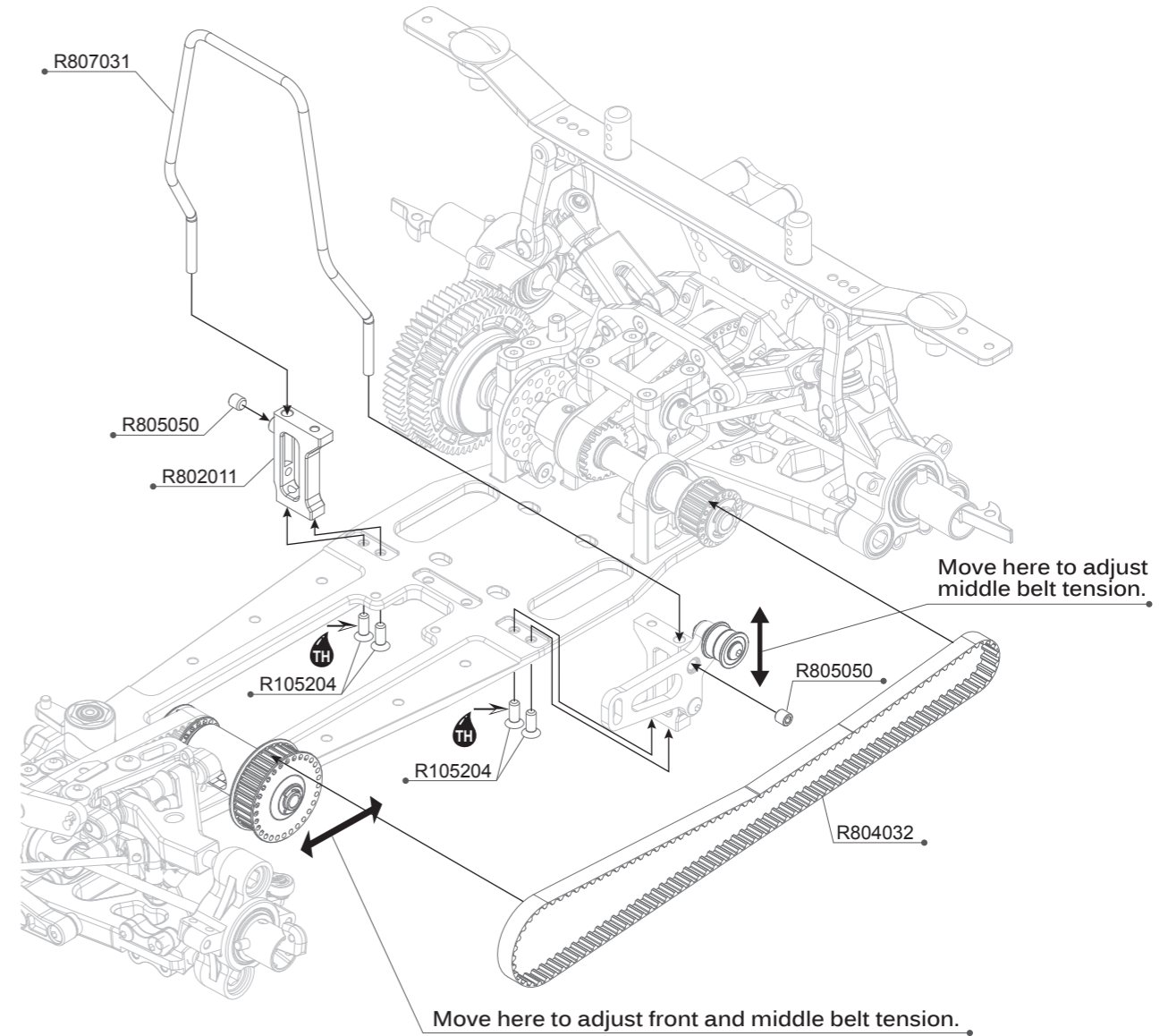
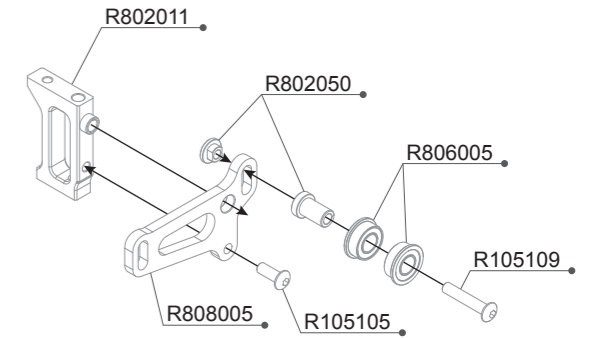


R104006 O'ring 5x2 (4pcs)
R801112 Pulley Set -Middle
R801113 Pulley Set -Rear
R802054 Brake Adaptor
R803025 Brake Disk Drilled

R805046 E-Clip 7mm (6)
R805050 4x4mm Set Screw (10)
R806111 Pin 3x11.8 (6)
R822004 2-Speed Shaft Shim-Alu



1:1 Scale

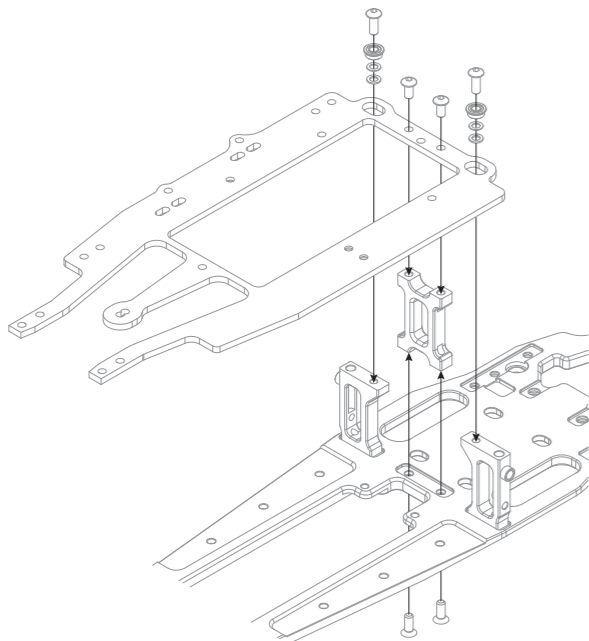


R105105 3x8 Round Screw (10)
R105109 3x16 Round Screw (10)
R105204 3x8mm Flat Screw (10)
R802011 Center Bulkhead -Alu
R802050 Belt Tensioner Shaft

R804032 Middle Belt 435
R805050 4x4mm Set Screw (10)
R806005 5x10x4 Flange Ball Bearing (2)
R807031 Rollover Bar
R808005 Belt Tensioner Plate

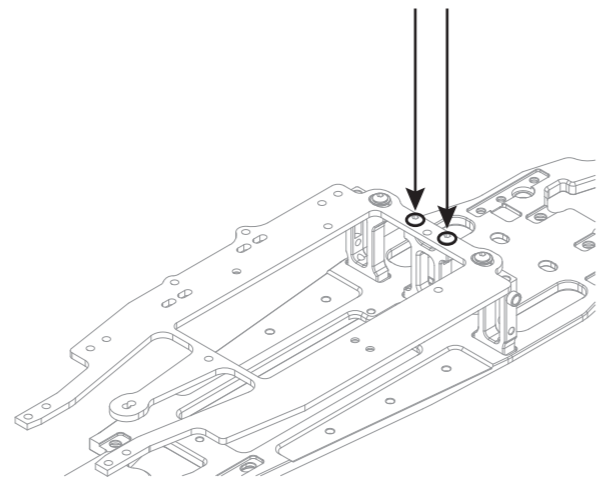
Option Parts (Not Included)

R819002 R8.1 Quick Flex Tower



QUICK FLEX SYSTEM

Function:
Driver can change the rear flex by installing or removing 2 screws below to change the setup. When the 2 screws are removed, rear end will have more flex and traction.



R805102
4x8 Round Screw (10)

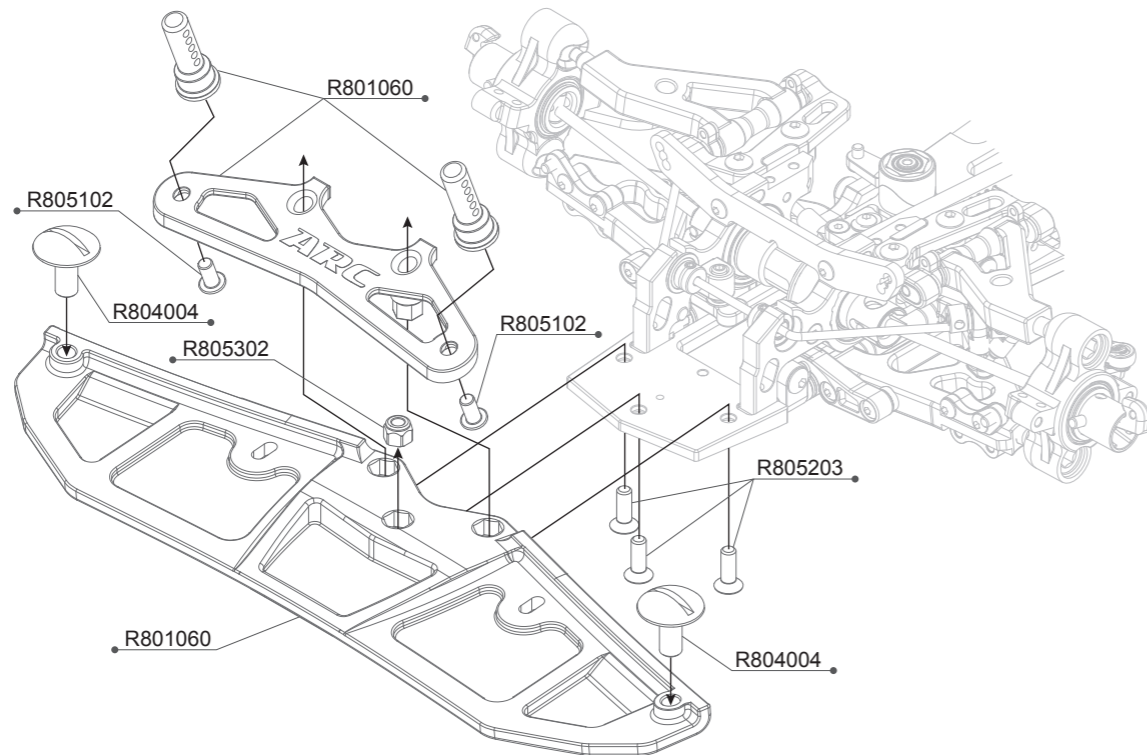


R805203
4x12mm Flat Screw (10)



R805302
4mm Nylon Nut (10)

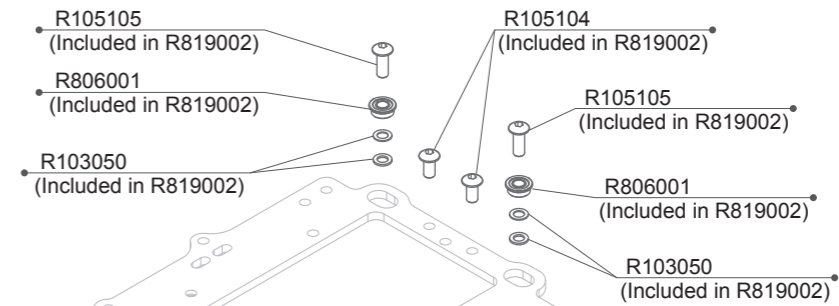
1:1 Scale



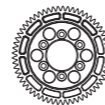
R801060 R 8.0 Bumper/Body Tower Set
R804004 Body Mount Screw(4)
R805102 4x8 Round Screw (10)

R805203 4x12mm Flat Screw (10)
R805302 4mm Nylon Nut (10)

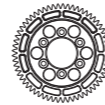
R8.2 OPTION PARTS EXPLOR VIEW



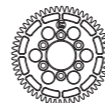
Option Parts (Not Included)



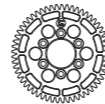
R804050
1st Spur 60T



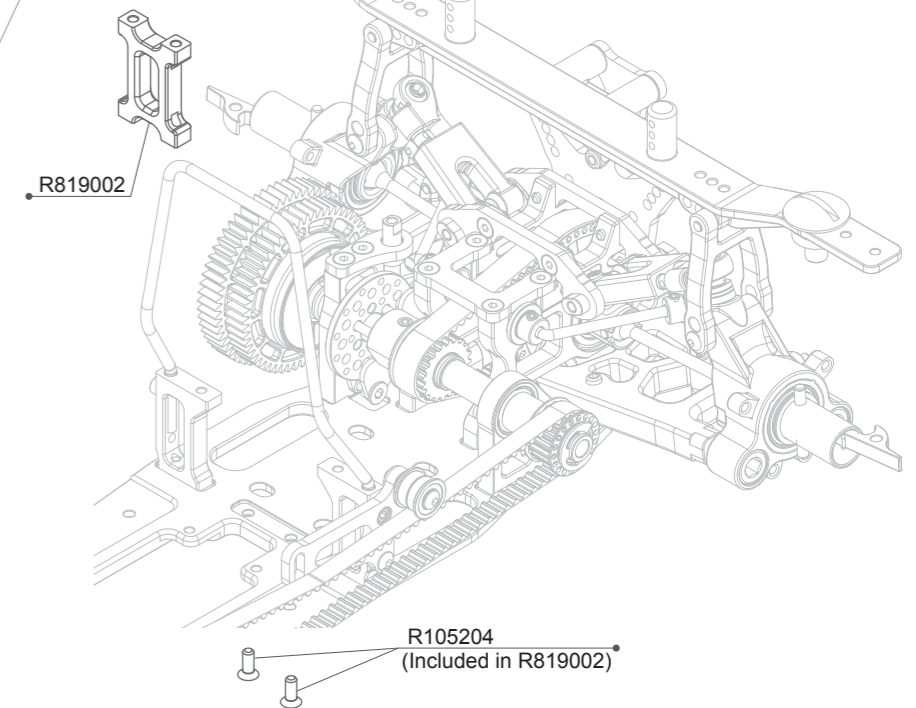
R804052
1st Spur 62T



R804053
2nd Spur 56T



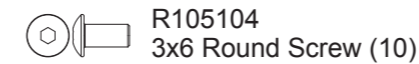
R804055
2nd Spur 58T



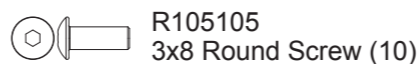
OPTION PARTS LIST

R103050	3x5x0.3mm Shims (10)	R804052	1st Spur 62T
R105104	3x6 Round Screw (10)	R804053	2nd Spur 56T
R105105	3x8 Round Screw (10)	R804055	2nd Spur 58T
R105204	3x8mm Flat Screw (10)	R806001	3x6x2.5 Flange Ball Bearing (2)
R804050	1st Spur 60T	R819002	R8.1 Quick Flex Tower

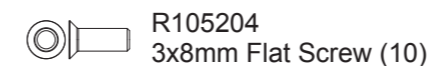
1:1 SCALE



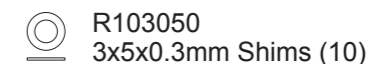
R105104
3x6 Round Screw (10)



R105105
3x8 Round Screw (10)



R105204
3x8mm Flat Screw (10)

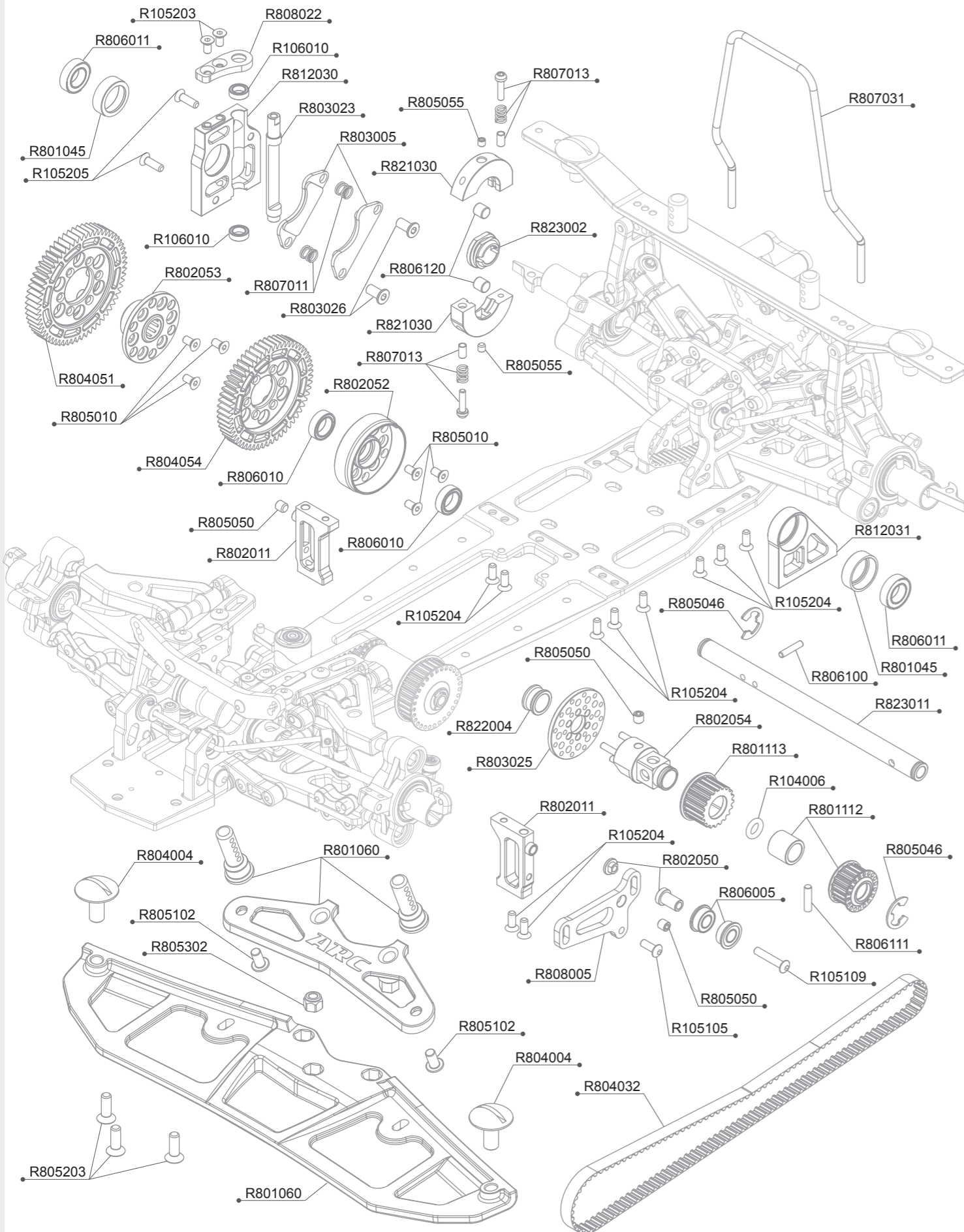


R103050
3x5x0.3mm Shims (10)



R806001
3x6x2.5mm Flange Ball Bearing (2)

R8.2 BAG 05 PARTS EXPLORE VIEW



R8.2 BAG 05 PARTS LIST

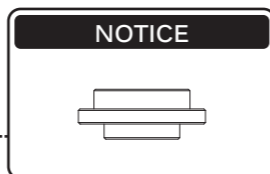
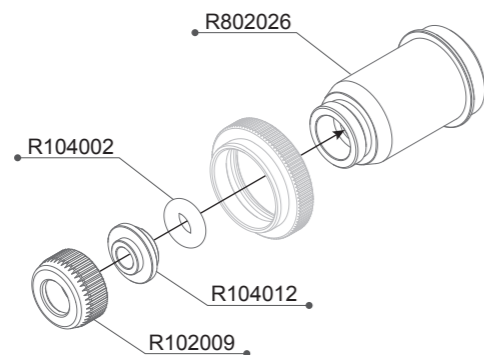
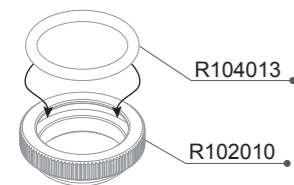
R104006	O'ring 5x2 (4pcs)	R805010	3x5mm Flat Screw (10)
R105105	3x8 Round Screw (10)	R805046	E-Clip 7mm (6)
R105109	3x16 Round Screw (10)	R805050	4x4mm Set Screw (10)
R105203	3x6mm Flat Screw (10)	R805055	4x3mm Set Screw (4)
R105204	3x8mm Flat Screw (10)	R805102	4x8 Round Screw (10)
R105205	3x10mm Flat Screw (10)	R805203	4x12mm Flat Screw (10)
R106010	5x8x2.5mm Ball Bearing (4pcs)	R805302	4mm Nylon Nut (10)
R801045	Bearing Bushing -Main Shaft (2)	R806005	5x10x4 Flange Ball Bearing (2)
R801060	R 8.0 Bumper/Body Tower Set	R806010	8x12x3.5 Ball Bearing (2)
R801112	Pulley Set -Middle	R806011	8x14x4 Ball Bearing (2)
R801113	Pulley Set -Rear	R806100	Pin 2.5x11.8 (6)
R802011	Center Bulkhead -Alu	R806111	Pin 3x11.8 (6)
R802050	Belt Tensioner Shaft	R806120	Pin 5x4.9 (6)
R802052	2-Speed Bell Housing	R807011	Brake Spring (2)
R802053	1-Speed Spur Adaptor	R807013	2 Speed Spring Set
R802054	Brake Adaptor	R807031	Rollover Bar
R803005	Brake Pad	R808005	Belt Tensioner Plate
R803023	Brake Cam-High	R808022	Brake Deck
R803025	Brake Disk Drilled	R812030	R8.1 2-Speed Shaft Bracket R
R803026	Brake Pad Nut Long (2)	R812031	R8.1 2-Speed Shaft Bracket L
R804004	Body Mount Screw(4)	R821030	R8.2 2-Speed Shoes (2)
R804032	Middle Belt 435	R822004	2-Speed Shaft Shim-Alu
R804051	1st Spur 61T	R823002	R8.2 2-Speed Adaptor
R804054	2nd Spur 57T	R823011	R8.2 2-Speed Main Shaft

1:1 SCALE

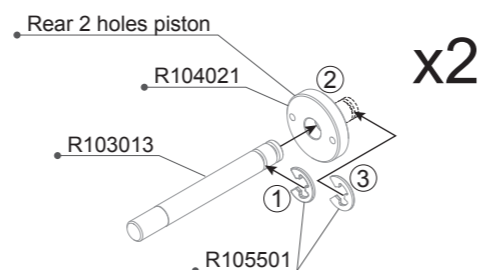
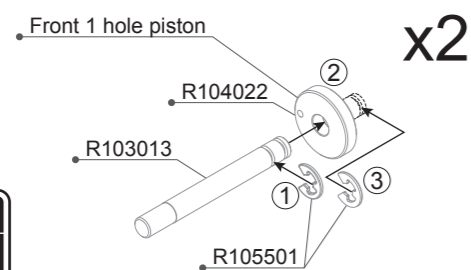
	R105105 3x8 Round Screw (10)		R106010 5x8x2.5mm Ball Bearing (4)
	R105109 3x16 Round Screw (10)		R806005 5x10x4mm Flange Ball Bearing (2)
	R805102 4x8 Round Screw (10)		R806010 8x12x3.5mm Ball Bearing (2)
	R105203 3x6mm Flat Screw (10)		R806011 8x14x4mm Ball Bearing (2)
	R105204 3x8mm Flat Screw (10)		R805302 4mm Nylon Nut (10)
	R105205 3x10mm Flat Screw (10)		R805046 E-Clip 7mm (6)
	R805010 3x5mm Flat Screw (10)		R806100 Ø2.5x11.8 Pin (6)
	R805203 4x12mm Flat Screw (10)		R806111 Ø3x11.8 Pin (6)
	R805050 4x4mm Set Screw (10)		
	R805055 4x3mm Set Screw (4)		

R105501
E-Clip 2mm (10)

1:1 Scale

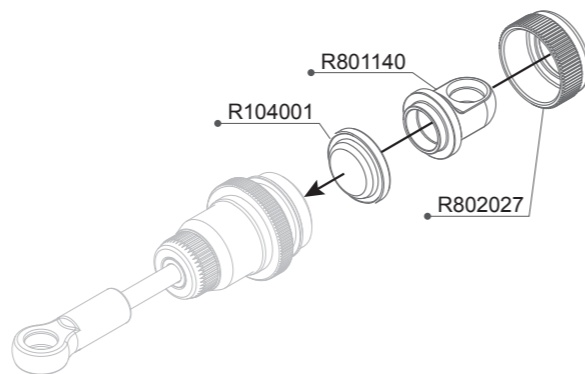
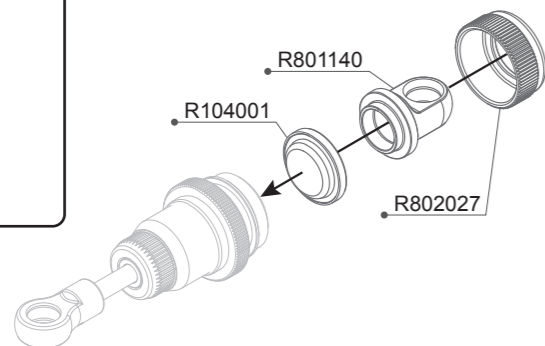
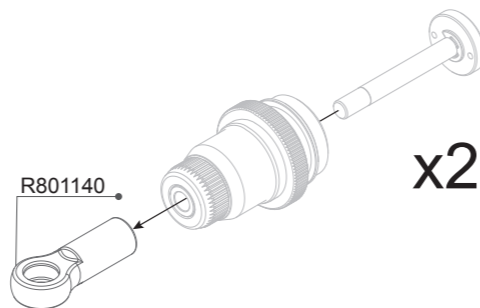
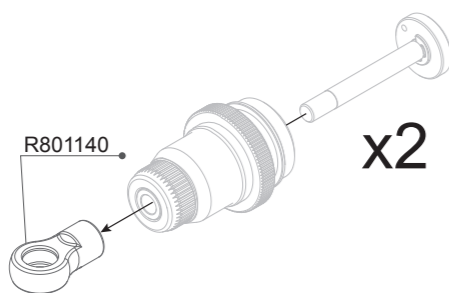
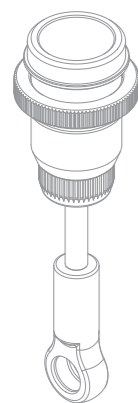


FRONT



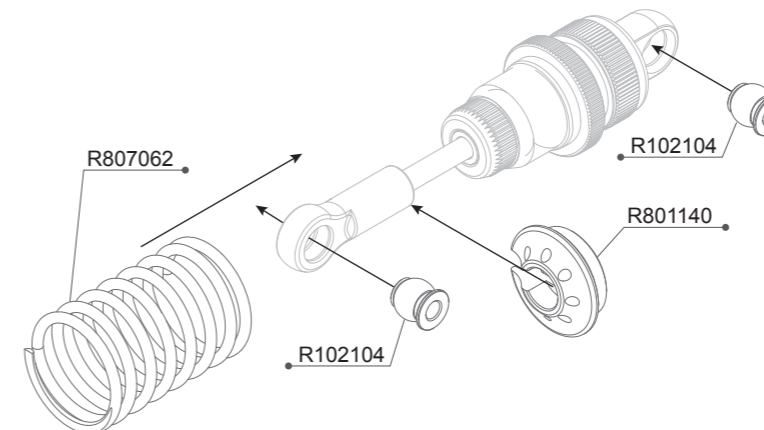
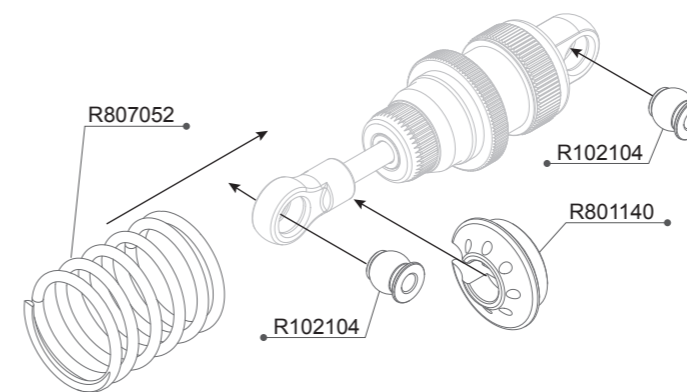
NOTICE
Fill #500 Cst Oil
both front & rear

#500



- R102009 Shock Low Cap Alu(2pcs)
- R102010 Shock ADJ Nut Alu (2pcs)
- R103013 Shock Shaft(2pcs)
- R104001 Shock Chamber(4pcs)
- R104002 O'ring 3x2(4pcs)
- R104012 Shock Shaft Shim(4pcs)
- R104013 O'ring 13x1 (2pcs)

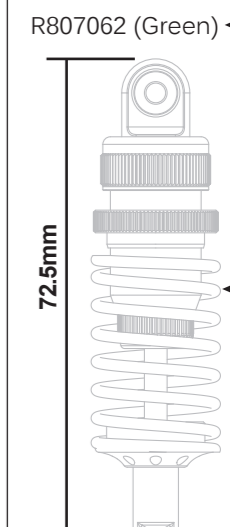
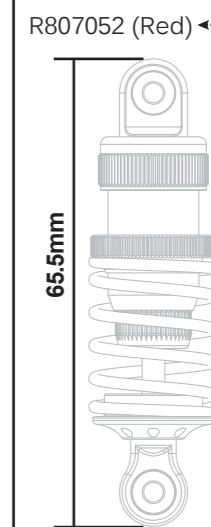
- R104021 Shock Pistion 1mm X 2 Hole (4pcs)
- R104022 Shock Pistion 1mm X 1 Hole (4pcs)
- R105501 E-Clip 2mm (10pcs)
- R801140 Shock Ball Joint Set V2
- R802026 Shock Body-V2016 (2)
- R802027 Shock Cap-V2016 (2)



NOTICE

FRONT (Short)
Set to 65.5mm

REAR (Long)
Set to 72.5mm



Short

Long

Build shocks to the following lengths.

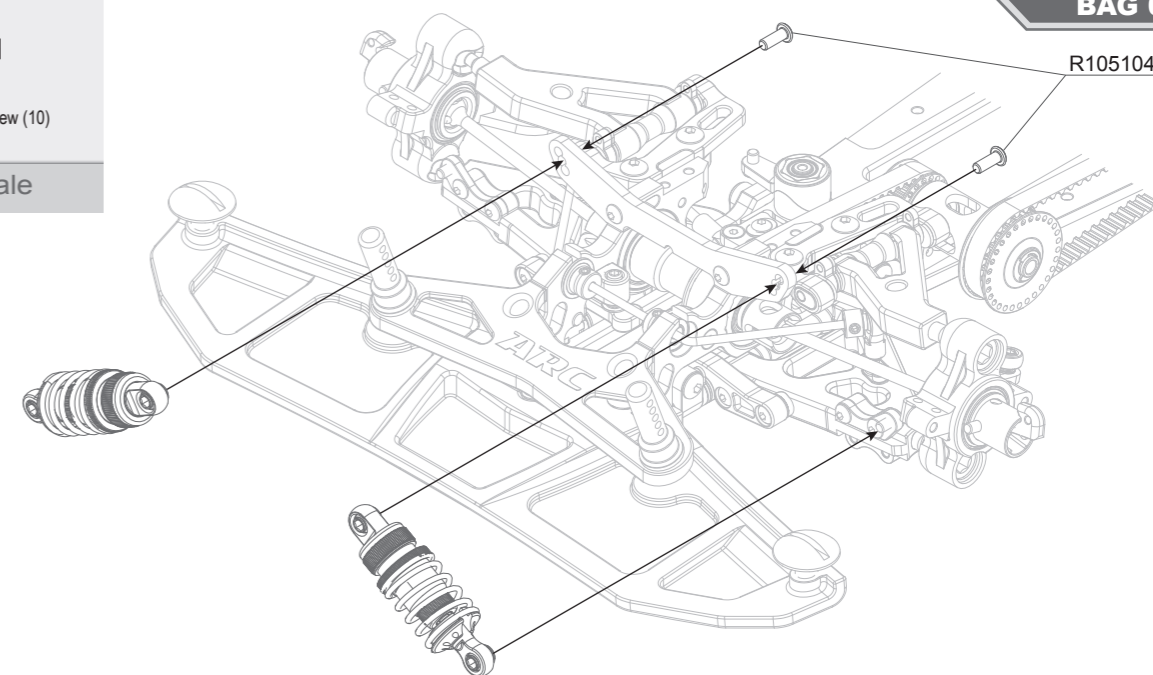
- R102104 5.8mm Ball end Short type Alu (4pcs)
- R801140 Shock Ball Joint Set V2

- R807052 Shock Spring Front (Red)
- R807062 Shock Spring Rear (Green)



R105104
3x6 Round Screw (10)

1:1 Scale

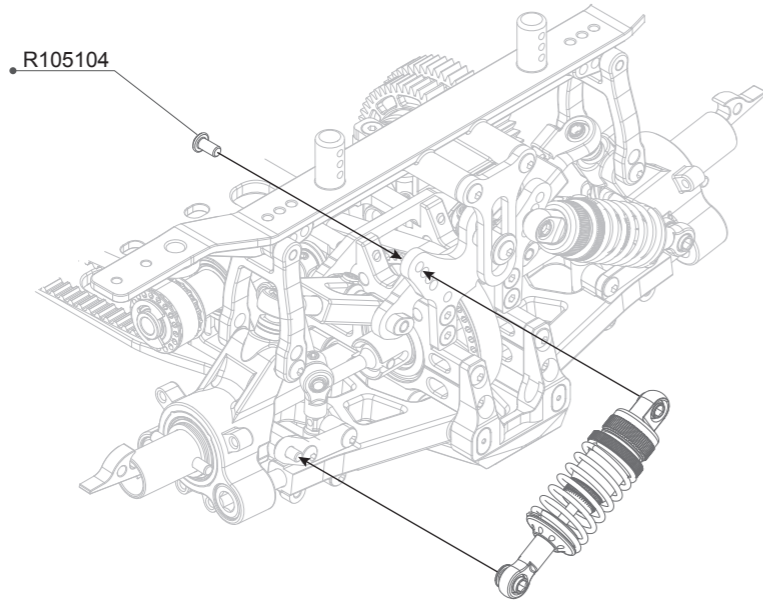


- R105104 3x6 Round Screw (10)



R105104
3x6 Round Screw (10)

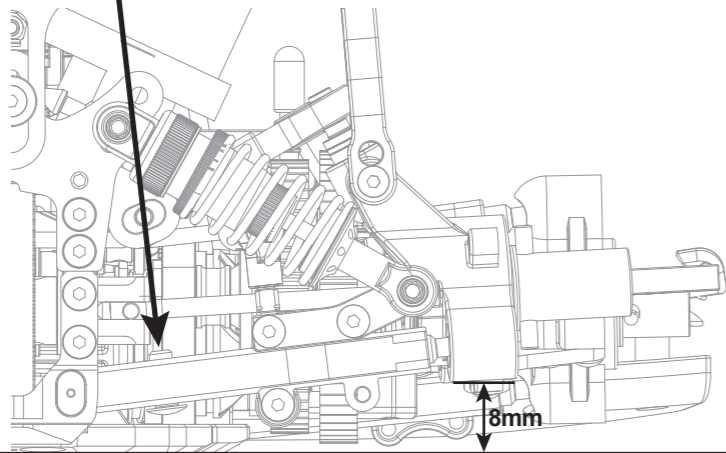
1:1 Scale



NOTICE

Initial rear droop setup

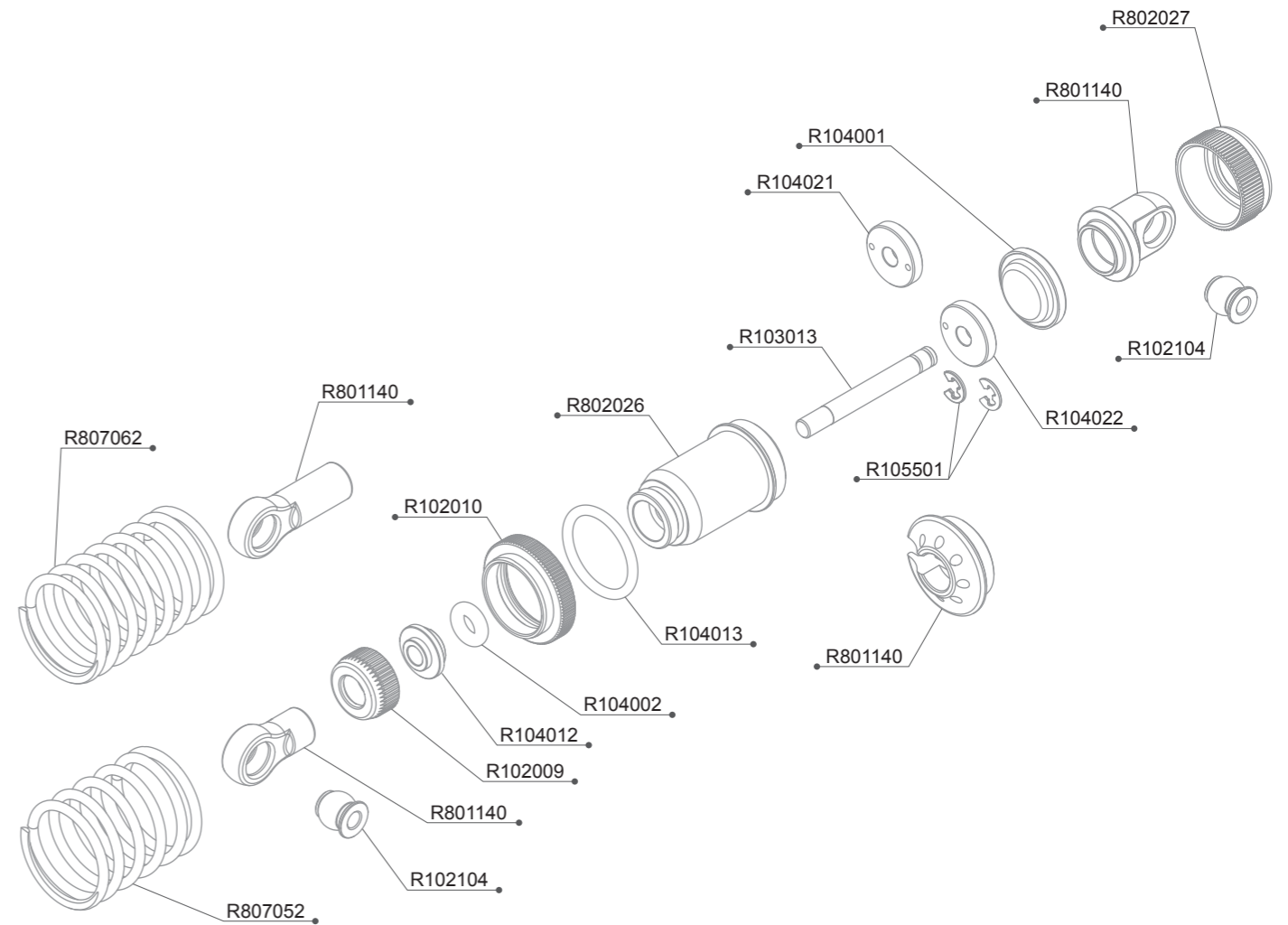
Using only ball 2.0mm hex wrench



Please setup the rear droop as above instruction.

R105104 3x6 Round Screw (10)

R8.2 BAG 06 PARTS EXPLORE VIEW






R8.2 BAG 06 PARTS LIST

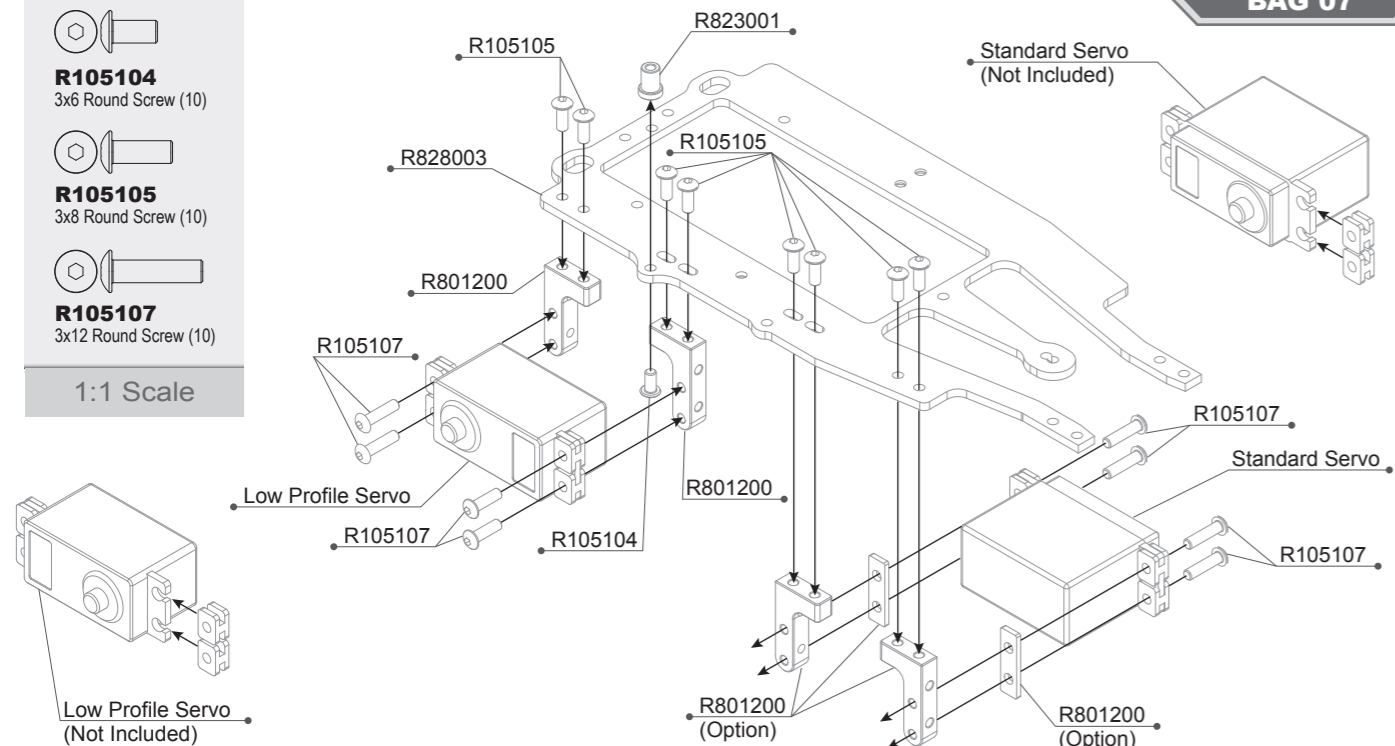
R102009	Shock Low Cap Alu(2pcs)	R104021	Shock Pistion 1mm X 2 Hole (4pcs)
R102010	Shock ADJ Nut Alu (2pcs)	R104022	Shock Pistion 1mm X 1 Hole (4pcs)
R102104	5.8mm Ball end Short type Alu (4pcs)	R105501	E-Clip 2mm (10pcs)
R103013	Shock Shaft(2pcs)	R801140	Shock Ball Joint Set V2
R104001	Shock Chamber(4pcs)	R802026	Shock Body-V2016 (2)
R104002	O'ring 3x2(4pcs)	R802027	Shock Cap-V2016 (2)
R104012	Shock Shaft Shim(4pcs)	R807052	Shock Spring Front (Red)
R104013	O'ring 13x1 (2pcs)	R807062	Shock Spring Rear (Green)

1:1 SCALE

R105501
E-Clip 2mm (10)




-  **R105104**
3x6 Round Screw (10)
-  **R105105**
3x8 Round Screw (10)
-  **R105107**
3x12 Round Screw (10)

1:1 Scale

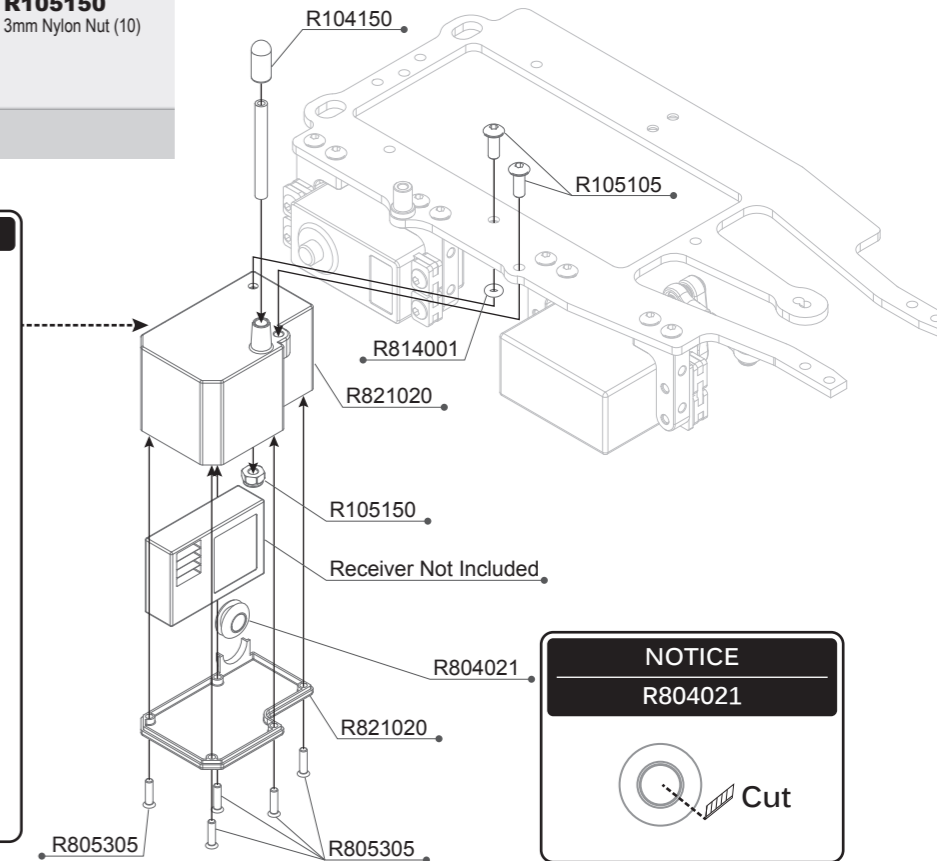
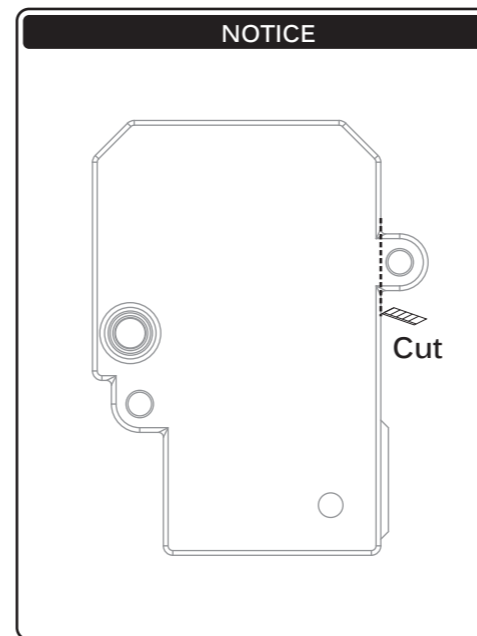


- R105104 3x6 Round Screw (10)
- R105105 3x8 Round Screw (10)
- R105107 3x12 Round Screw (10)

- R801200 Servo Mount Set
- R823001 Throttle Lever Base
- R828003 R8.2 Upper Deck



-  **R105105**
3x8 Round Screw (10)
-  **R805305**
2x8mm Flat Screw (10)
-  **R105150**
3mm Nylon Nut (10)

1:1 Scale

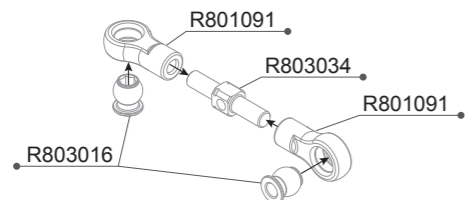


- R104150 Antenna (1set)
- R105105 3x8 Round Screw (10)
- R105150 3mm Nylon Nut (10)
- R804021 Rubber Grommet (2)

- R805305 2x8mm Flat Screw (10)
- R814001 2x1.5 O'ring (6)
- R821020 R8.2 Radio Box

-  **R105104**
3x6 Round Screw (10)
-  **R805299**
2.5x6mm Cap Screw (10)

1:1 Scale



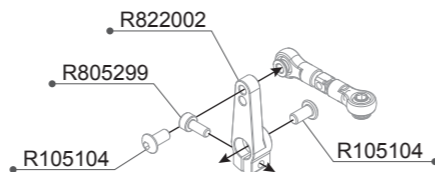
NOTICE

5.5mm

Initial length setup


Option Parts (Not Included)

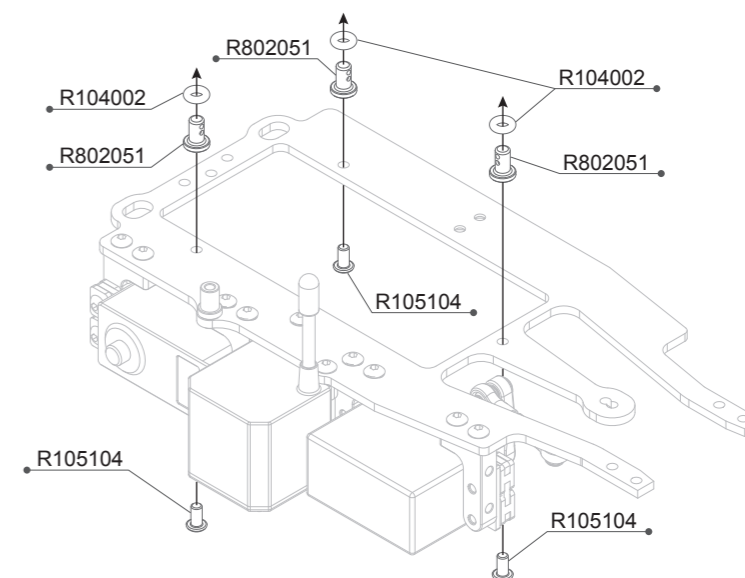
R822002 R8.2 Steering Servo Horn 25T-Alu



- R101060 Servo Horn Dual steering arm
- R105104 3x6 Round Screw (10)
- R801091 Ball End 4.9mm Short (2)

- R803016 Ball Head 4.9mm (4)
- R803034 3mm X 15mm Turnbuckle

-  **R105104**
3x6 Round Screw (10)
- 1:1 Scale

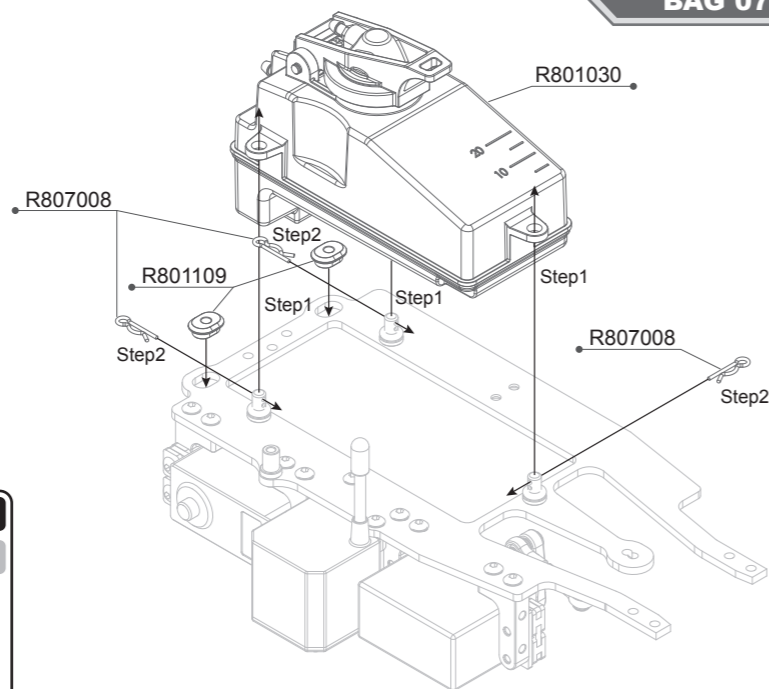


- R104002 O'ring 3x2(4pcs)
- R105104 3x6 Round Screw (10)

- R802051 Fuel Tank Mount (3)



1:1 Scale

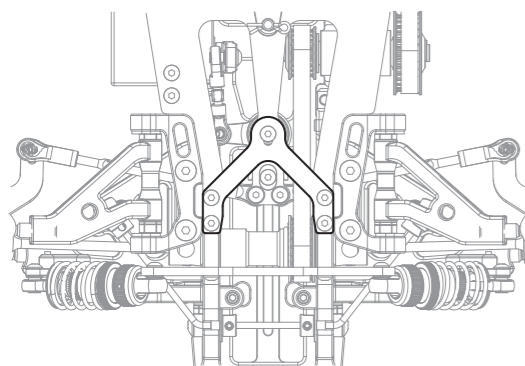


NOTICE

FIXED UPPER DECK

More steering response and initial turn, but less end turn.

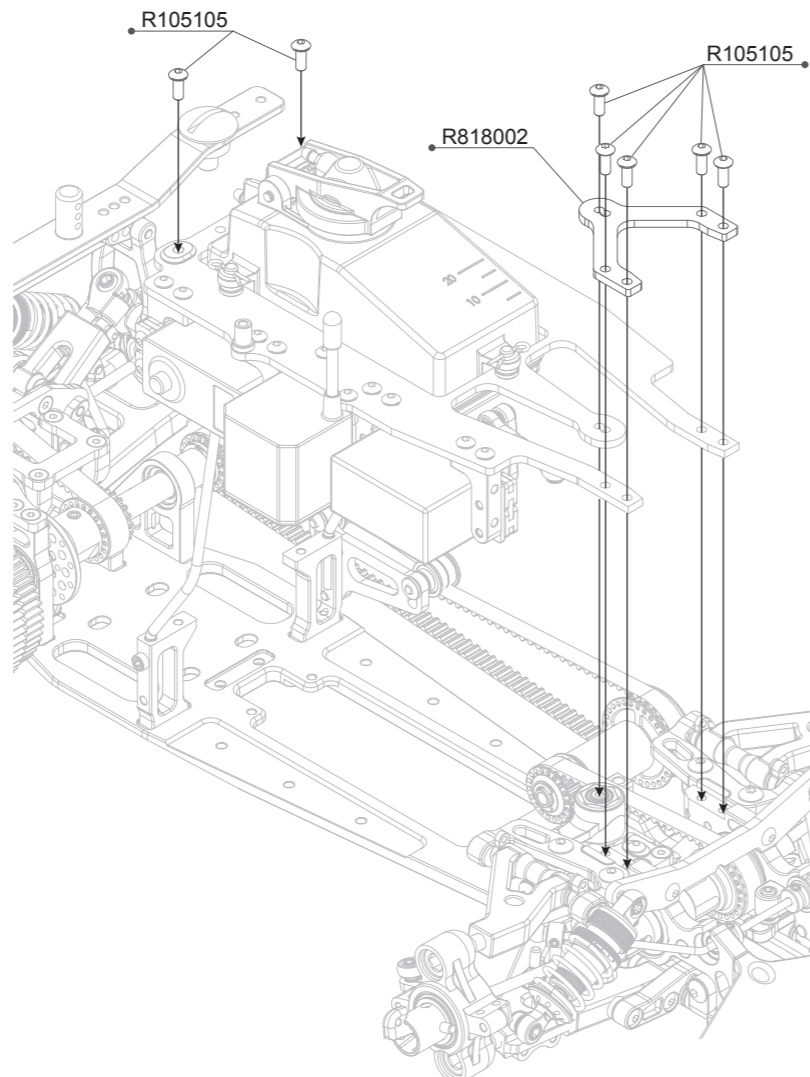
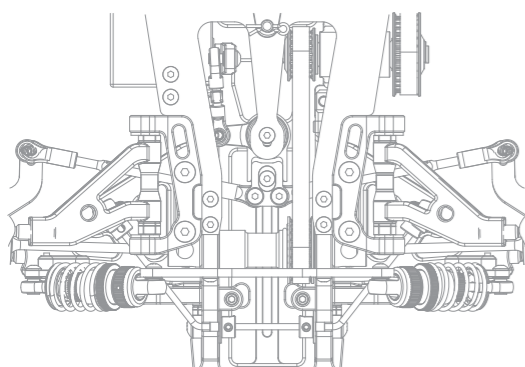
Use for track have short corner and high traction.



FLEX UPPER DECK

Less steering response and initial turn but more end turn.

Use for track have sweep corner or low traction track.

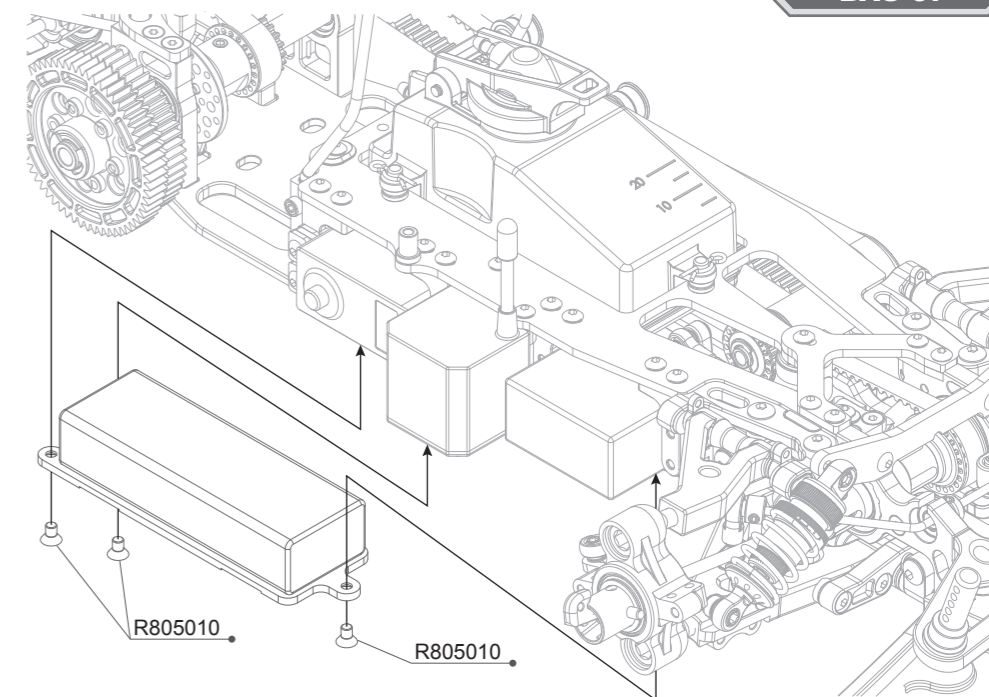
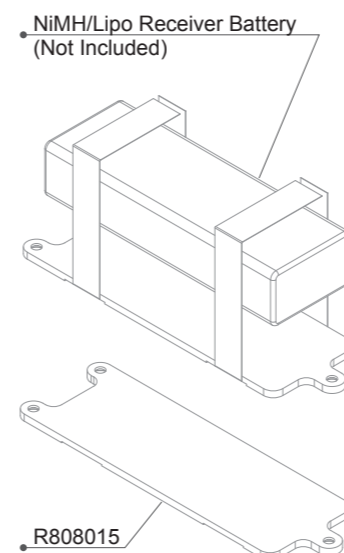


- R105105 3x8 Round Screw (10)
- R801030 Fuel Tank with insert
- R801109 Upper Deck Insert (2)

- R807008 3mm R Clip (10)
- R818002 R8.1 Upper Deck Brace



1:1 Scale

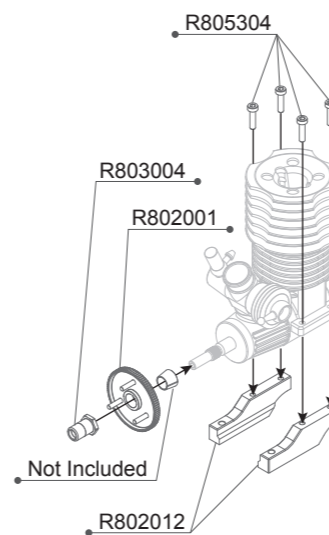


- R805010 3x5mm Flat Screw (10)

- R808015 Battery Mount Carbon

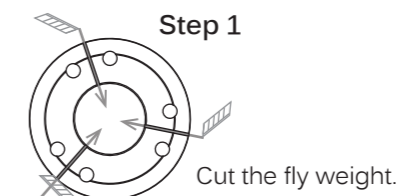


1:1 Scale



NOTICE

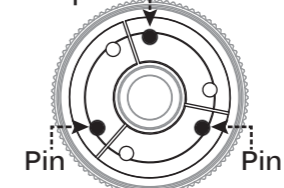
Step 1



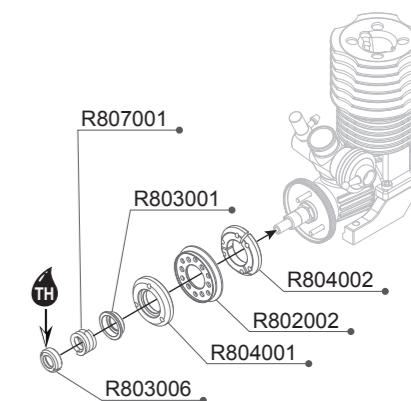
Cut the fly weight.

NOTICE

Step 2

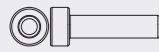


Install the clutch fly weights into the fly wheel as pictured above.



- R802001 Fly Wheel
- R802002 Clutch Pad Base
- R802012 Engine Mount -Alu (2)
- R803001 Clutch Spring Base-Steel
- R803004 Fly Wheel Nut

- R803006 Clutch Spring Nut
- R804001 Clutch Pad Yellow
- R804002 Clutch Fly Weight
- R805304 3x12mm Cap Screw (10)
- R807001 Clutch Spring 2.0mm



R805304
3x12mm Cap Screw (10)



R803053
5x8x0.1mm (10)



R803054
5x8x0.2mm (10)

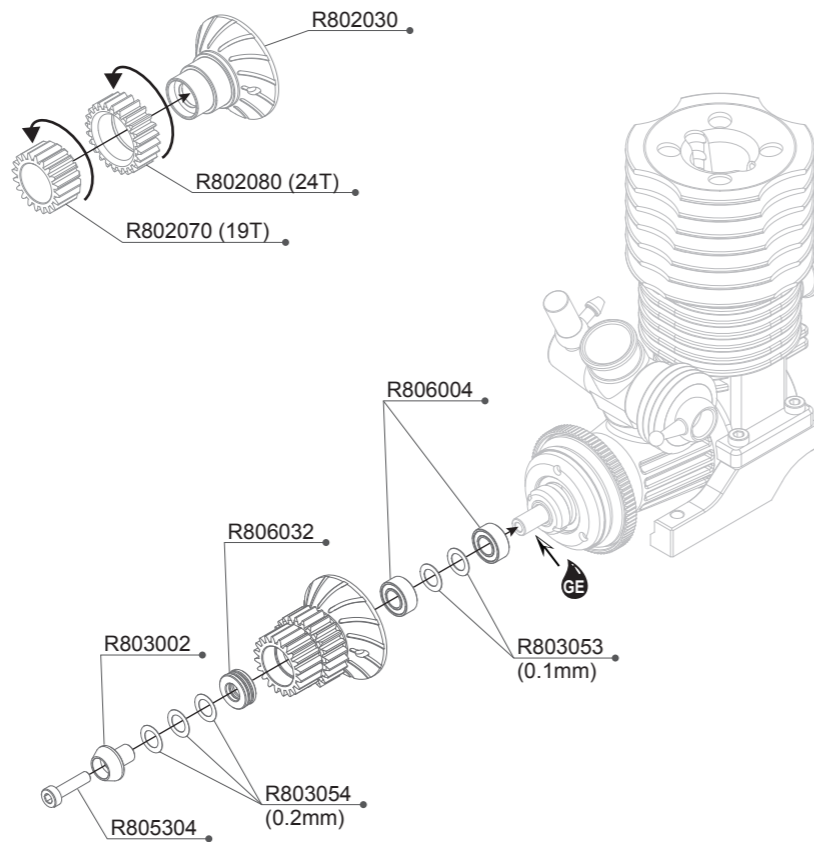


R806004
5x10x4mm
Ball Bearing (Metal Seal) (2)



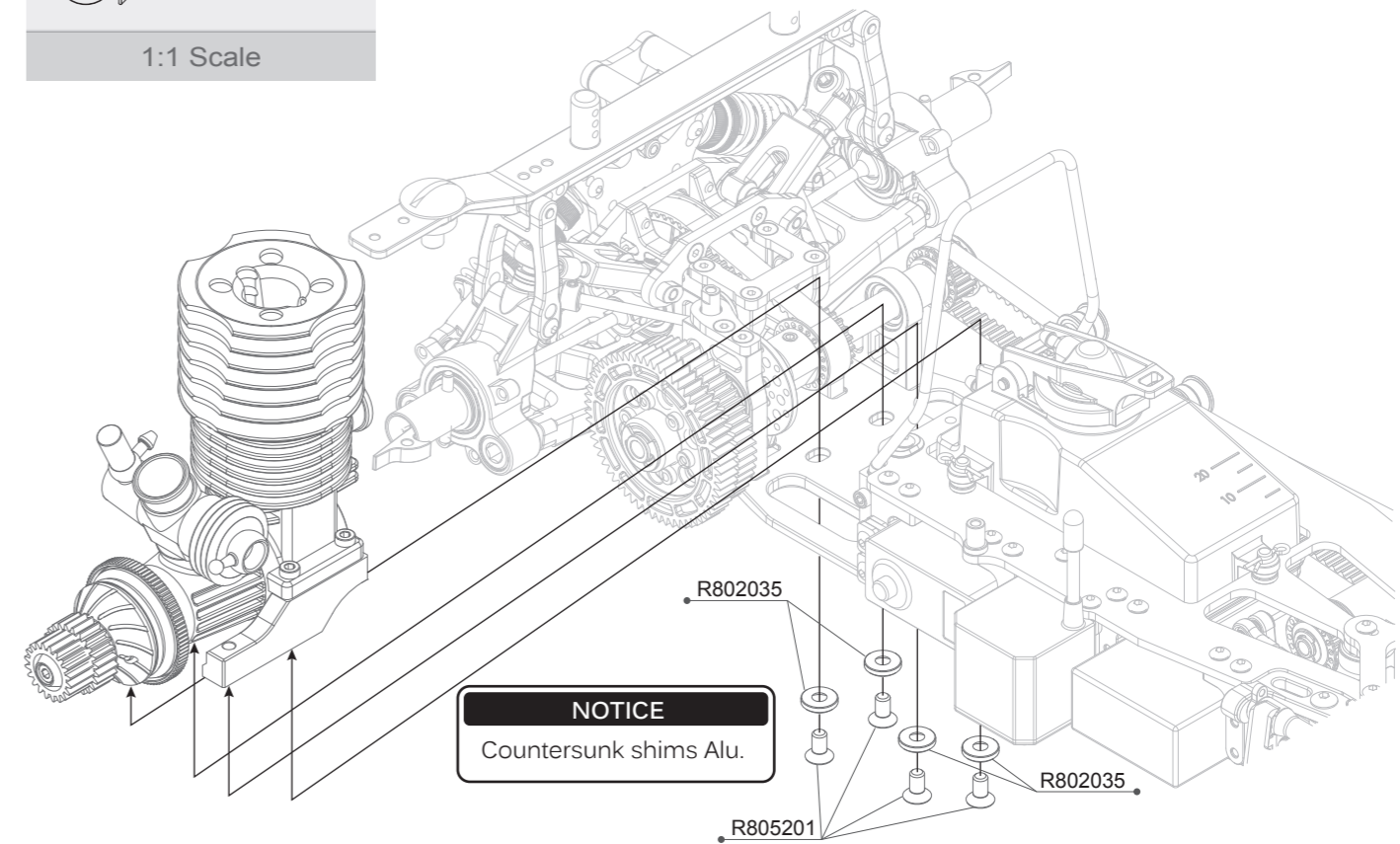
R806032
8x12x3.5mm

1:1 Scale



R805201
4x8mm Flat Screw (10)

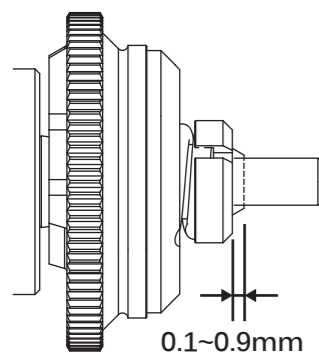
1:1 Scale



NOTICE
Countersunk shims Alu.

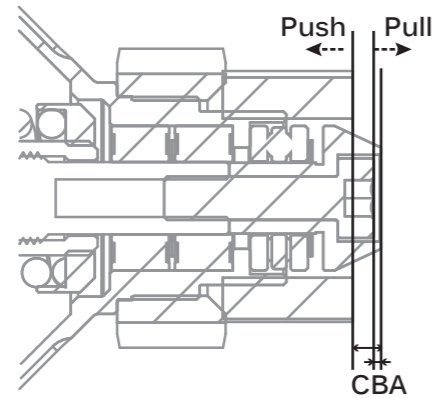
NOTICE

STEP 1



Set to 0.1mm to break-in the clutch pad & bell. After break-in, tighten to 0.6mm-0.9mm for race setting.

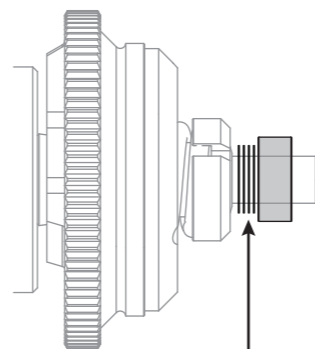
STEP 2



$(A \leftrightarrow C) - (A \leftrightarrow B) = 0.6 \sim 0.7 \text{MM}$

Adjust the Clutch Gap B~C by add / remove R803054 Shims and set the clearance of gap into 0.6mm.

STEP 3

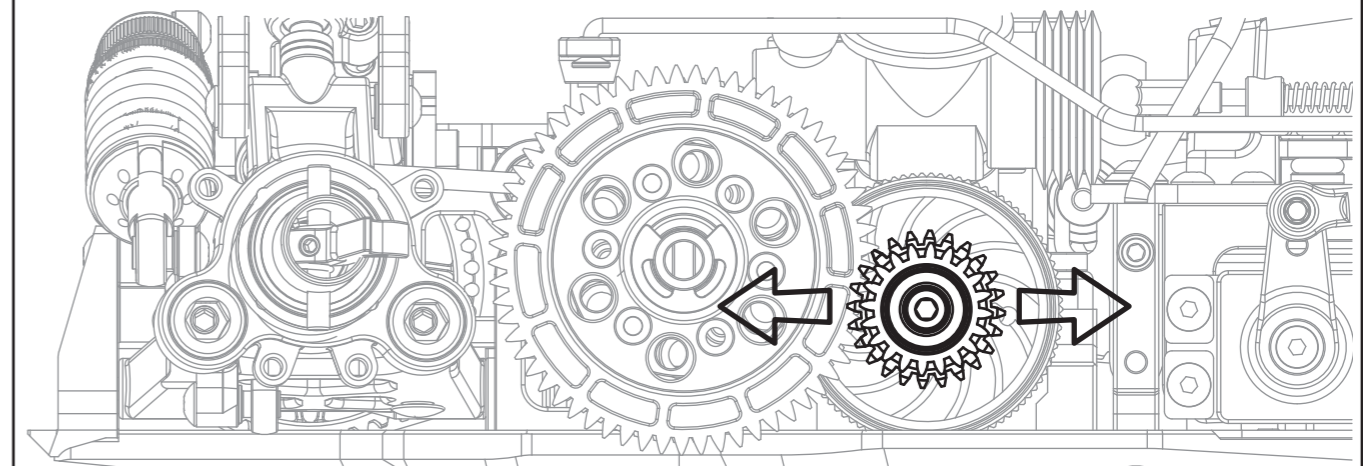


After step 2 is finished, add the distance shims (0.6mm-0.7mm) back to shaft to keep clutch bell not touching the pad.

- R802030 Clutch Bell -Alu
- R802070 1st Gear Pinion 19T
- R802080 2nd Gear Pinion 24T
- R803002 Clutch Bearing Nut
- R803053 5x8x0.1mm Shims (10)

- R803054 5x8x0.2mm Shims (10)
- R805304 3x12mm Cap Screw (10)
- R806004 5x10x4mm Ball Bearing (2)
- R806032 5x8x4mm Thrust Ball Bearing





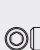




NOTICE



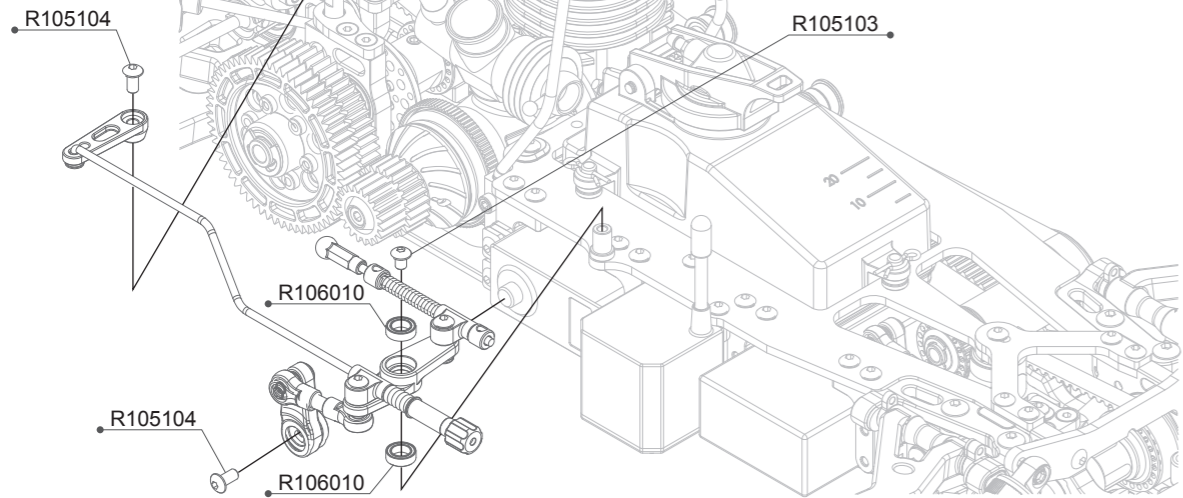
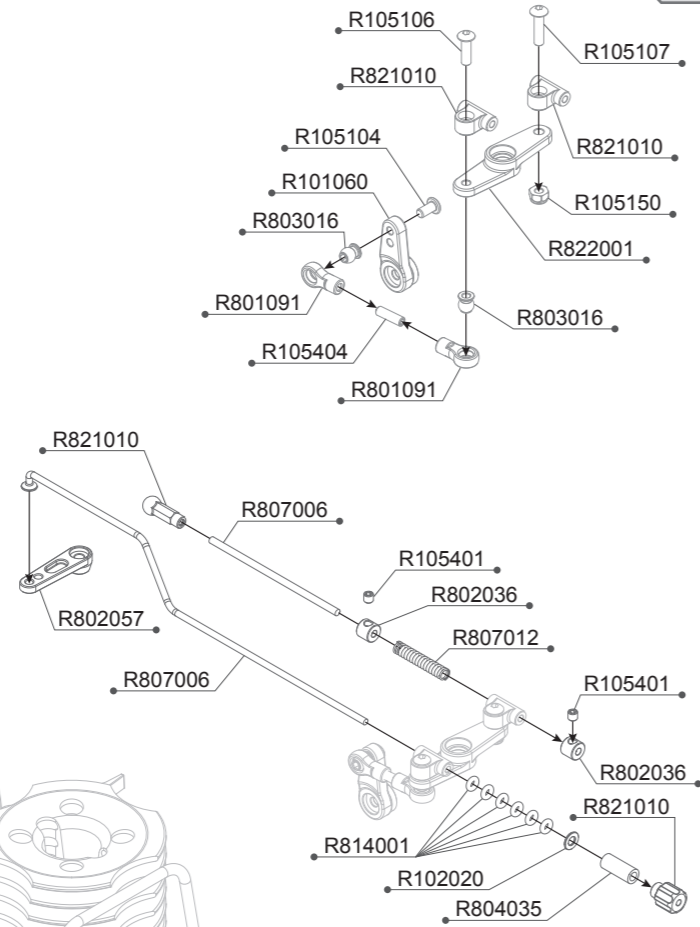
Please setup the gear mesh well to avoid spur/pinion friction or strip.

- R802035 4mm Sink Shims Alu (4)


- R805201 4x8mm Flat Screw (10)

-  **R105103**
3x4 Round Screw (10)
-  **R105104**
3x6 Round Screw (10)
-  **R105106**
3x10 Round Screw (10)
-  **R105107**
3x12 Round Screw (10)
-  **R105401**
3x3mm Set Screw (10)
-  **R105404**
3x10mm Set Screw (10)
-  **R102020**
3x6x0.5mm Alu Shims (8)
-  **R105150**
3mm Nylon Nut (10)
-  **R106010**
5x8x2.5mm Ball Bearing (4)

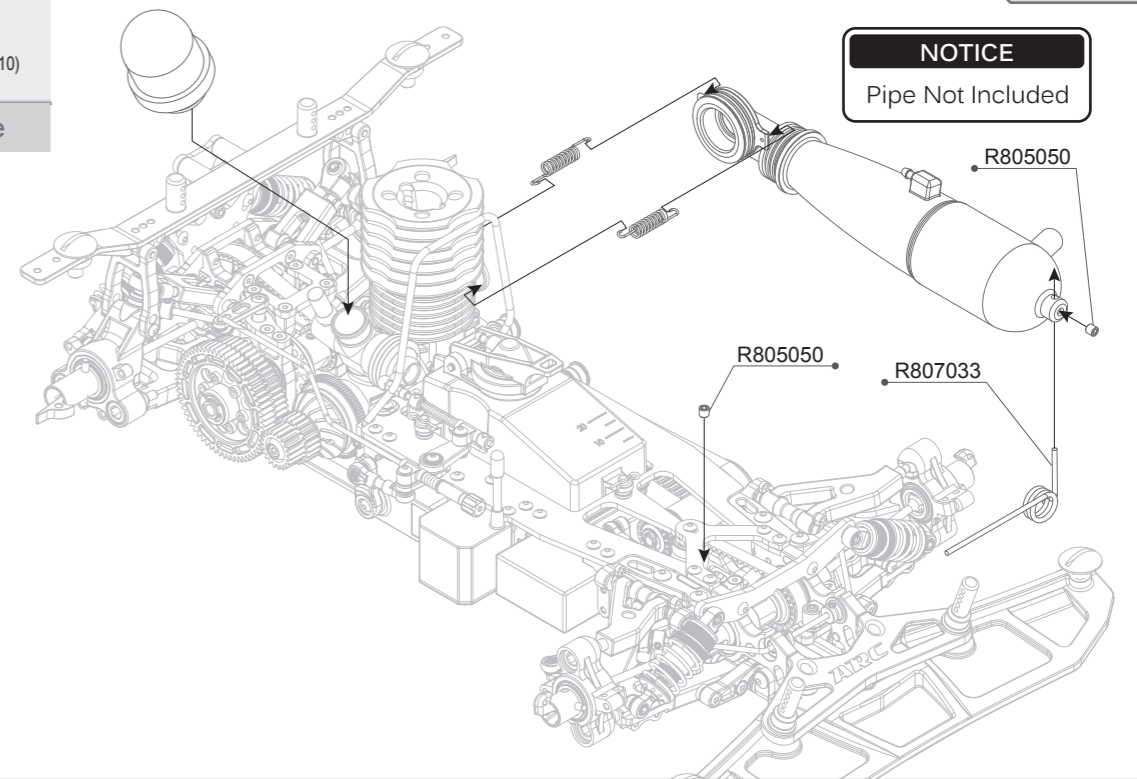
1:1 Scale



- | | | | |
|---------|------------------------------|---------|-------------------------------|
| R101060 | Servo Horn Dual steering arm | R801091 | Ball End 4.9mm Short (2) |
| R102020 | 3x6x0.5mm Alu Shims(8pcs) | R802036 | Collar Alu(4pcs) |
| R105103 | 3x4 Round Screw (10) | R802057 | Brake Lever |
| R105104 | 3x6 Round Screw (10) | R803016 | Ball Head 4.9mm (4) |
| R105106 | 3x10 Round Screw (10) | R804035 | Fuel Tube 90cm |
| R105107 | 3x12 Round Screw (10) | R807006 | Throttle Linkage (2) |
| R105150 | 3mm Nylon Nut (10) | R807012 | Throttle Spring (2) |
| R105401 | 3x3mm Set Screw (10) | R814001 | 2x1.5 O'ring (6) |
| R105404 | 3x10mm Set Screw (10) | R821010 | R8.2 Throttle Lever Connector |
| R106010 | 5x8x2.5mm Ball Bearing (4) | R822001 | R8.2 Throttle Lever-Alu |

-  **R805050**
4x4mm Set Screw (10)

1:1 Scale

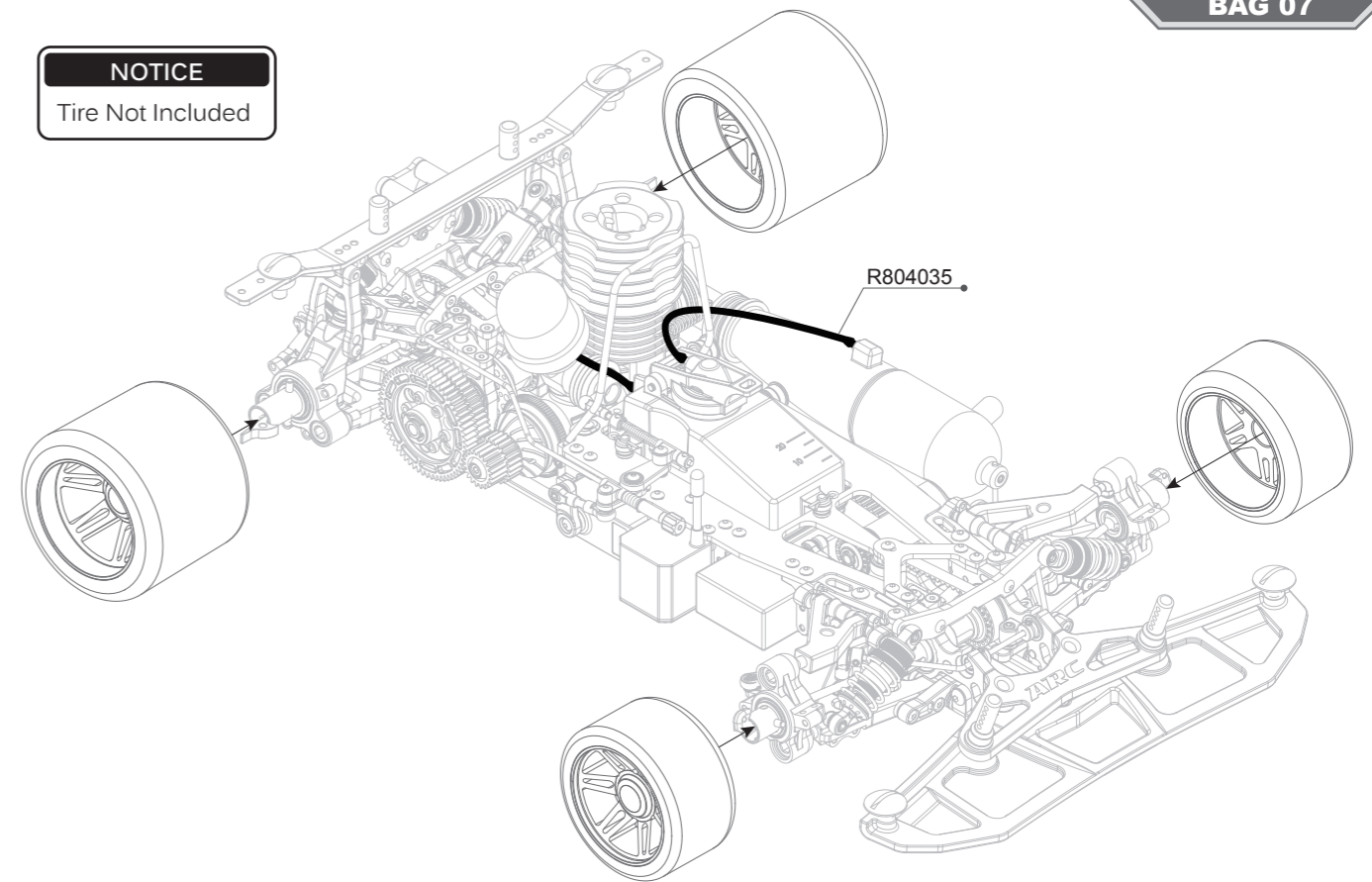


NOTICE
Pipe Not Included

R805050 4x4mm Set Screw (10)

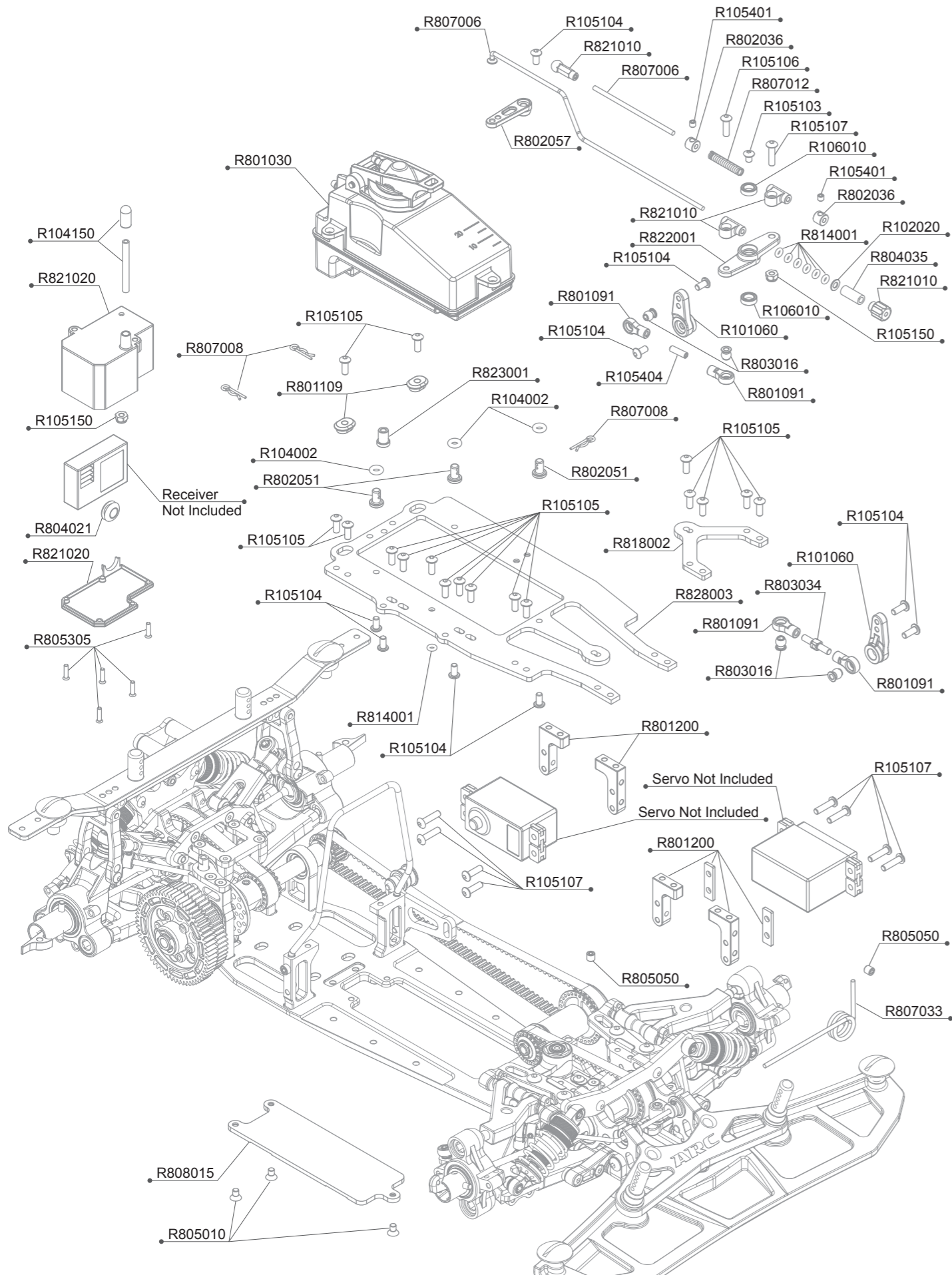
R807033 Exhaust Pipe Spring

NOTICE
Tire Not Included



R804035 Fuel Tube 90cm

R8.2 BAG 07 PARTS EXPLORE VIEW



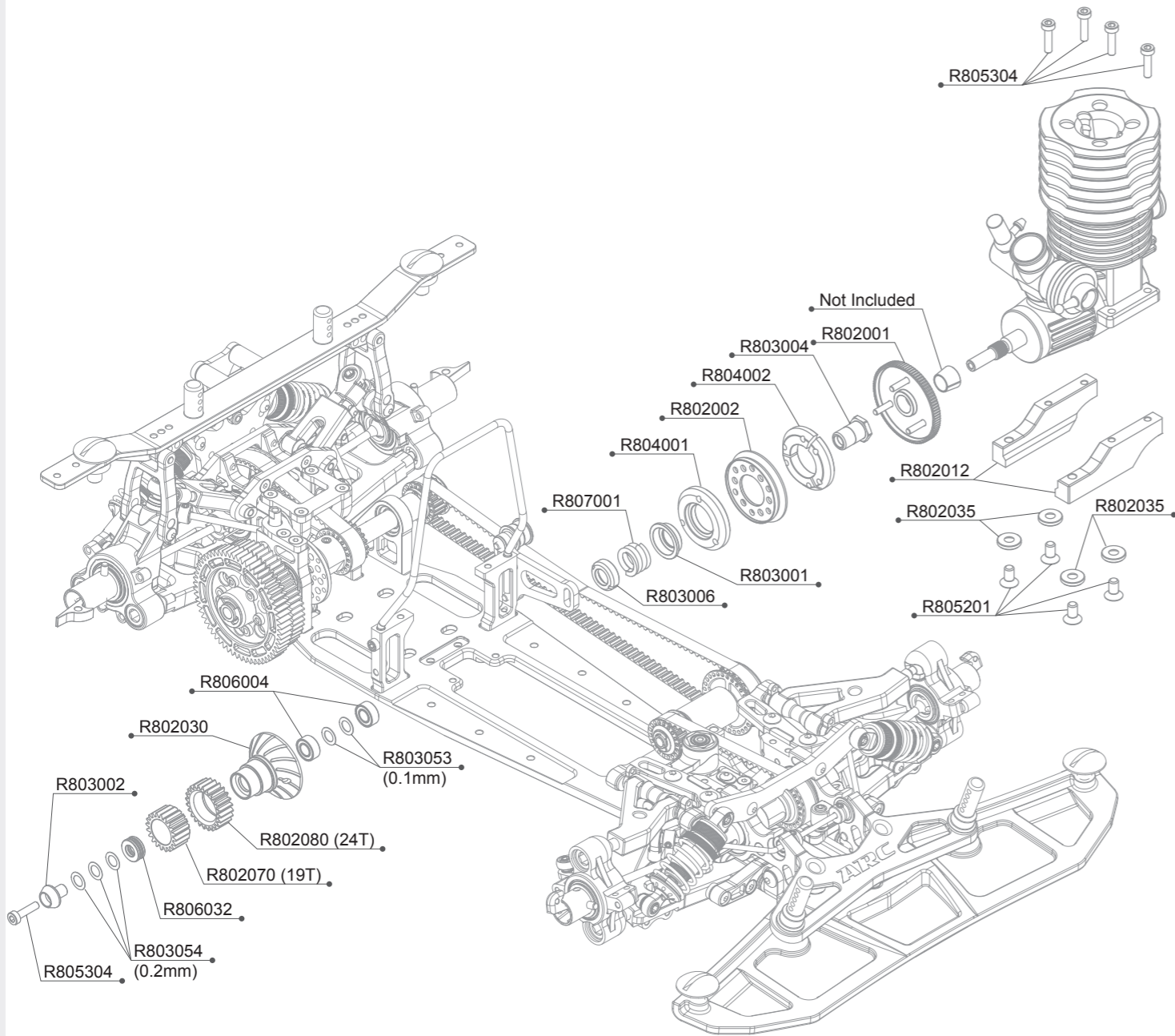
R8.2 BAG 07 PARTS LIST

R101060	Servo Horn Dual steering arm	R803016	Ball Head 4.9mm (4)
R102020	3x6x0.5mm Alu Shims(8pcs)	R803034	3mm X 15mm Turnbuckle
R104002	O'ring 3x2(4pcs)	R804021	Rubber Grommet (2)
R104150	Antenna (1set)	R804035	Fuel Tube 90cm
R105103	3x4 Round Screw (10)	R805010	3x5mm Flat Screw (10)
R105104	3x6 Round Screw (10)	R805050	4x4mm Set Screw (10)
R105105	3x8 Round Screw (10)	R805305	2x8mm Flat Screw (10)
R105106	3x10 Round Screw (10)	R807006	Throttle Linkage (2)
R105107	3x12 Round Screw (10)	R807008	3mm R Clip (10)
R105150	3mm Nylon Nut (10)	R807012	Throttle Spring (2)
R105401	3x3mm Set Screw (10)	R807033	Exhaust Pipe Spring
R105404	3x10mm Set Screw (10)	R808015	Battery Mount Carbon
R106010	5x8x2.5mm Ball Bearing (4)	R814001	2x1.5 O'ring (6)
R801030	Fuel Tank with insert	R818002	R8.1 Upper Deck Brace
R801091	Ball End 4.9mm Short (2)	R821010	R8.2 Throttle Lever Connector
R801109	Upper Deck Insert (2)	R821020	R8.2 Radio Box
R801200	Servo Mount Set	R822001	R8.2 Throttle Lever-Alu
R802036	Collar Alu(4pcs)	R823001	Throttle Lever Base
R802051	Fuel Tank Mount (3)	R828003	R8.2 Upper Deck
R802057	Brake Lever		

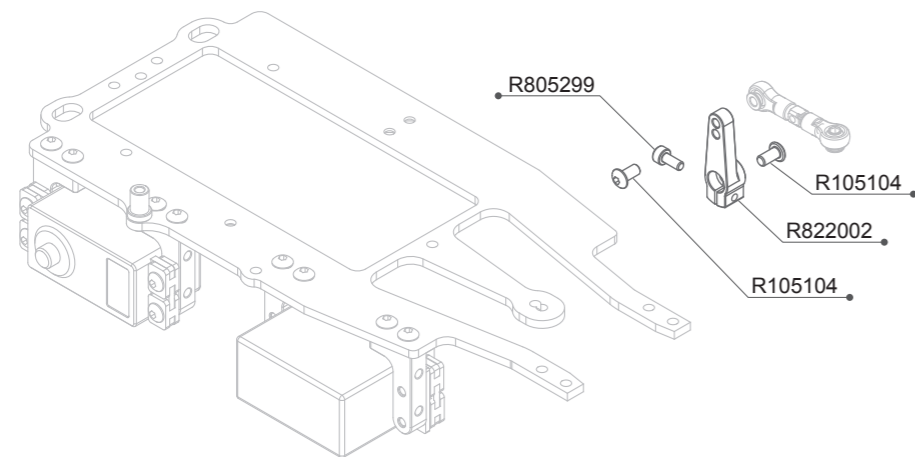
1:1 SCALE

	R105103 3x4 Round Screw (10)		R102020 3x6x0.5mm Alu Shims (8)
	R105104 3x6 Round Screw (10)		R105401 3x3mm Set Screw (10)
	R105105 3x8 Round Screw (10)		R105404 3x10mm Set Screw (10)
	R105106 3x10 Round Screw (10)		R805050 4x4mm Set Screw (10)
	R105107 3x12 Round Screw (10)		R105150 3mm Nylon Nut (10)
	R805010 3x5mm Flat Screw (10)		R106010 5x8x2.5mm Ball Bearing (4)
	R805305 2x8mm Flat Screw (10)		

R8.2 BAG 07 PARTS EXPLORE VIEW



R8.2 BAG 07 OPTION PARTS EXPLORE VIEW



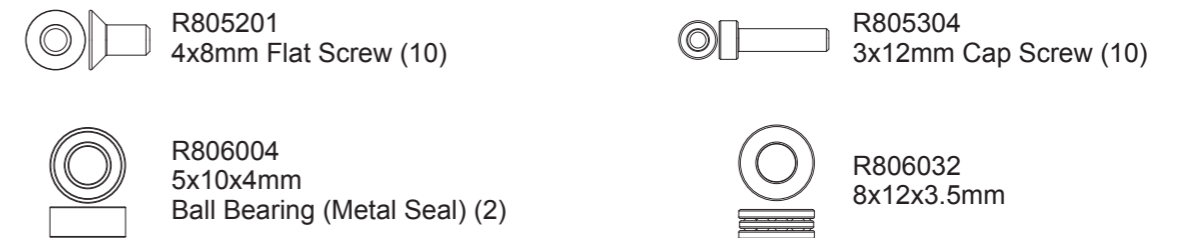
R8.2 BAG 07 PARTS LIST

R802001	Fly Wheel	R803006	Clutch Spring Nut
R802002	Clutch Pad Base	R803053	5x8x0.1mm Shims (10)
R802012	Engine Mount -Alu (2)	R803054	5x8x0.2mm Shims (10)
R802030	Clutch Bell -Alu	R804001	Clutch Pad Yellow
R802035	4mm Sink Shims Alu (4)	R804002	Clutch Fly Weight
R802070	1st Gear Pinion 19T	R805201	4x8mm Flat Screw (10)
R802080	2nd Gear Pinion 24T	R805304	3x12mm Cap Screw (10)
R803001	Clutch Spring Base-Steel	R806004	5x10x4 Ball Bearing (2)
R803002	Clutch Bearing Nut	R806032	5x8x4 Thrust Ball Bearing
R803004	Fly Wheel Nut	R807001	Clutch Spring 2.0mm

OPTION PARTS LIST

R105104	3x6 Round Screw (10)	R802079	2nd Gear Pinion 23T
R802068	1st Gear Pinion 17T	R805299	2.5x6mm Cap Screw (10)
R802069	1st Gear Pinion 18T	R807002	Clutch Spring Extra Hard
R802078	2nd Gear Pinion 22T	R822002	R8.2 Steering Servo Horn 25T-Alu

1:1 SCALE



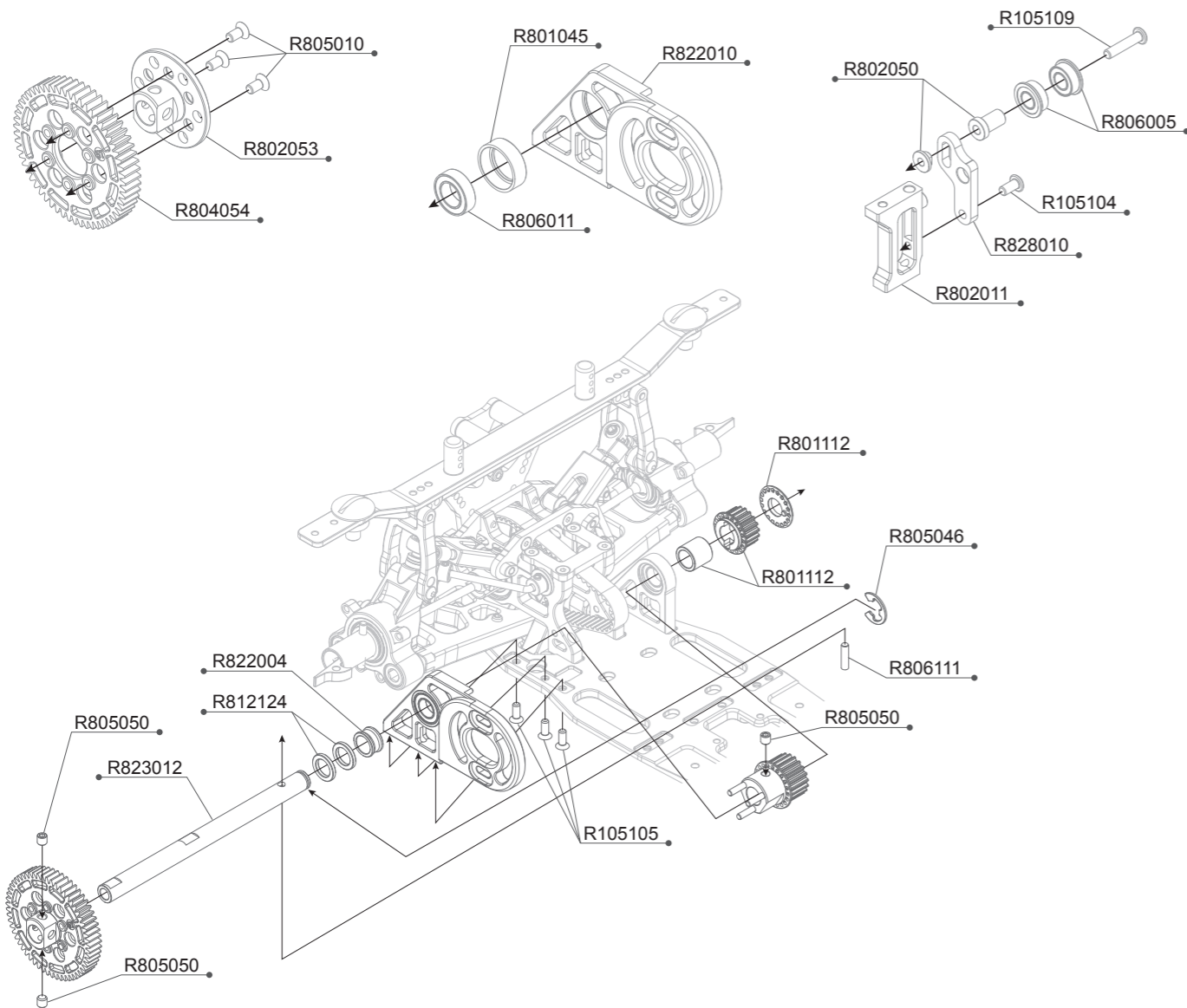
OPTION PARTS



R8.2E UPGRADE KIT INSTRUCTION MANUAL

- | | | | |
|---|---|---|---|
|  R105104
3x6 Round Screw (10) |  R805010
3x5mm Flat Screw (10) |  R806005
5x10x4mm
Flange Ball Bearing (2) |  |
|  R105105
3x8 Round Screw (10) |  R805050
4x4mm Set Screw (10) |  | R806011
8x14x4mm Ball Bearing (2) |
|  R105109
3x16 Round Screw (10) |  R806111
Ø3x11.8 Pin (6) | | |

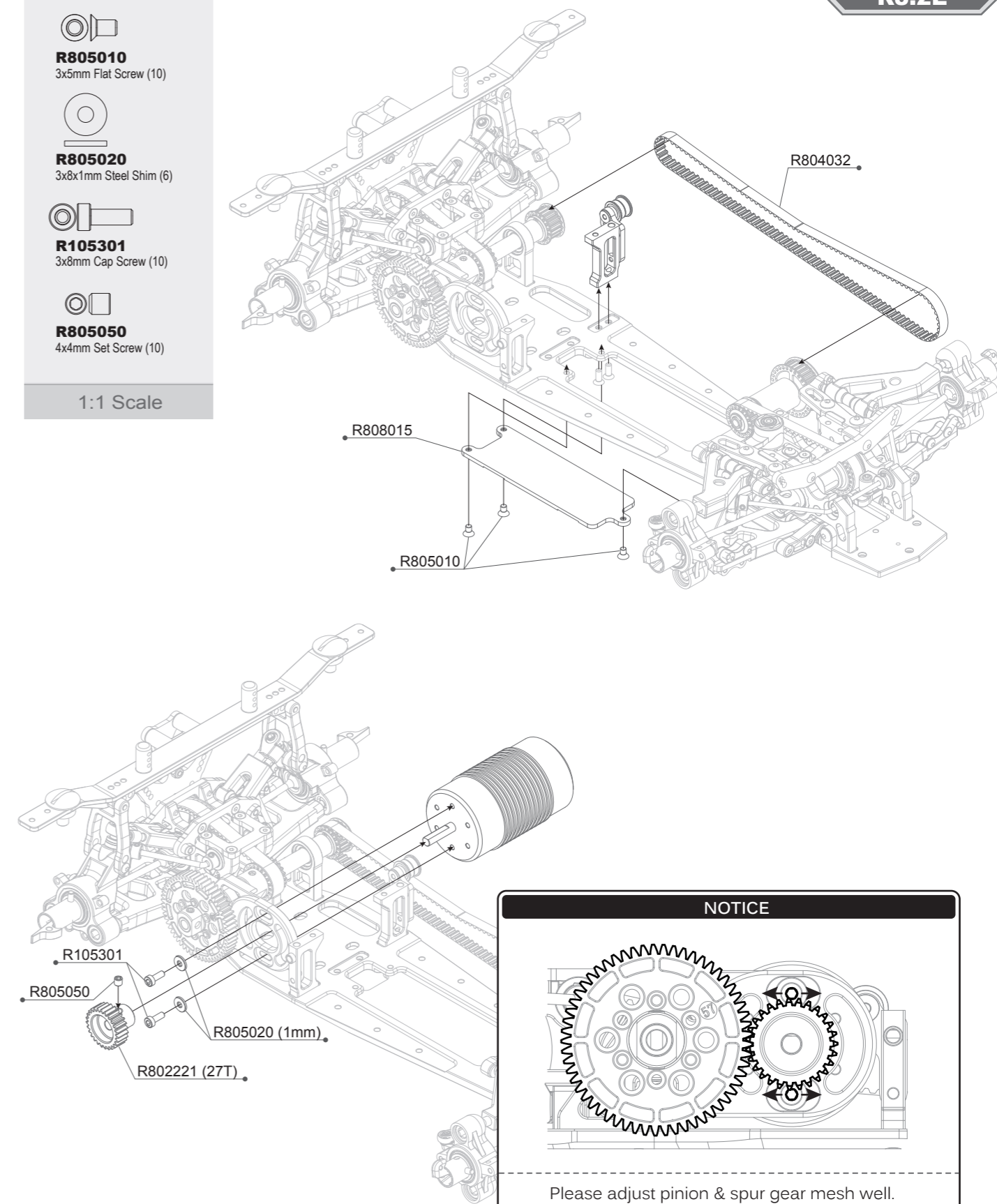
1:1 Scale



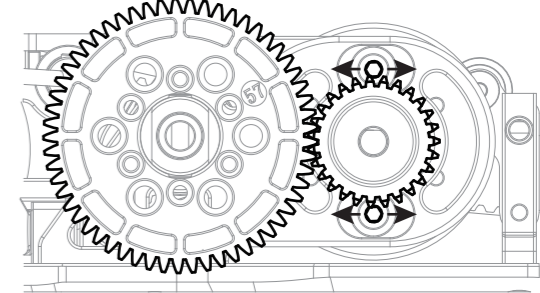
- | | | | |
|---------|---------------------------------|---------|--------------------------------|
| R105104 | 3x6 Round Screw (10) | R805046 | E-Clip 7mm (6) |
| R105105 | 3x8 Round Screw (10) | R805050 | 4x4mm Set Screw (10) |
| R105109 | 3x16 Round Screw (10) | R806005 | 5x10x4 Flange Ball Bearing (2) |
| R801045 | Bearing Bushing -Main Shaft (2) | R806011 | 8x14x4 Ball Bearing (2) |
| R801112 | Pulley Set -Middle | R806111 | Pin 3x11.8 (6) |
| R802011 | Center Bulkhead -Alu | R812124 | 8x12x1.6mm Alu Shims (2) |
| R802050 | Belt Tensioner Shaft | R822004 | 2-Speed Shaft Shim-Alu |
| R802053 | 1-Speed Spur Adaptor | R822010 | R8.2E Motor Bulkhead |
| R804054 | 2nd Spur 57T | R823012 | R8.2E Main Shaft |
| R805010 | 3x5mm Flat Screw (10) | R828010 | R8.2E Belt Tensioner Plate |

- | |
|--|
|  R805010
3x5mm Flat Screw (10) |
|  R805020
3x8x1mm Steel Shim (6) |
|  R105301
3x8mm Cap Screw (10) |
|  R805050
4x4mm Set Screw (10) |

1:1 Scale



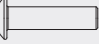
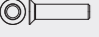


NOTICE

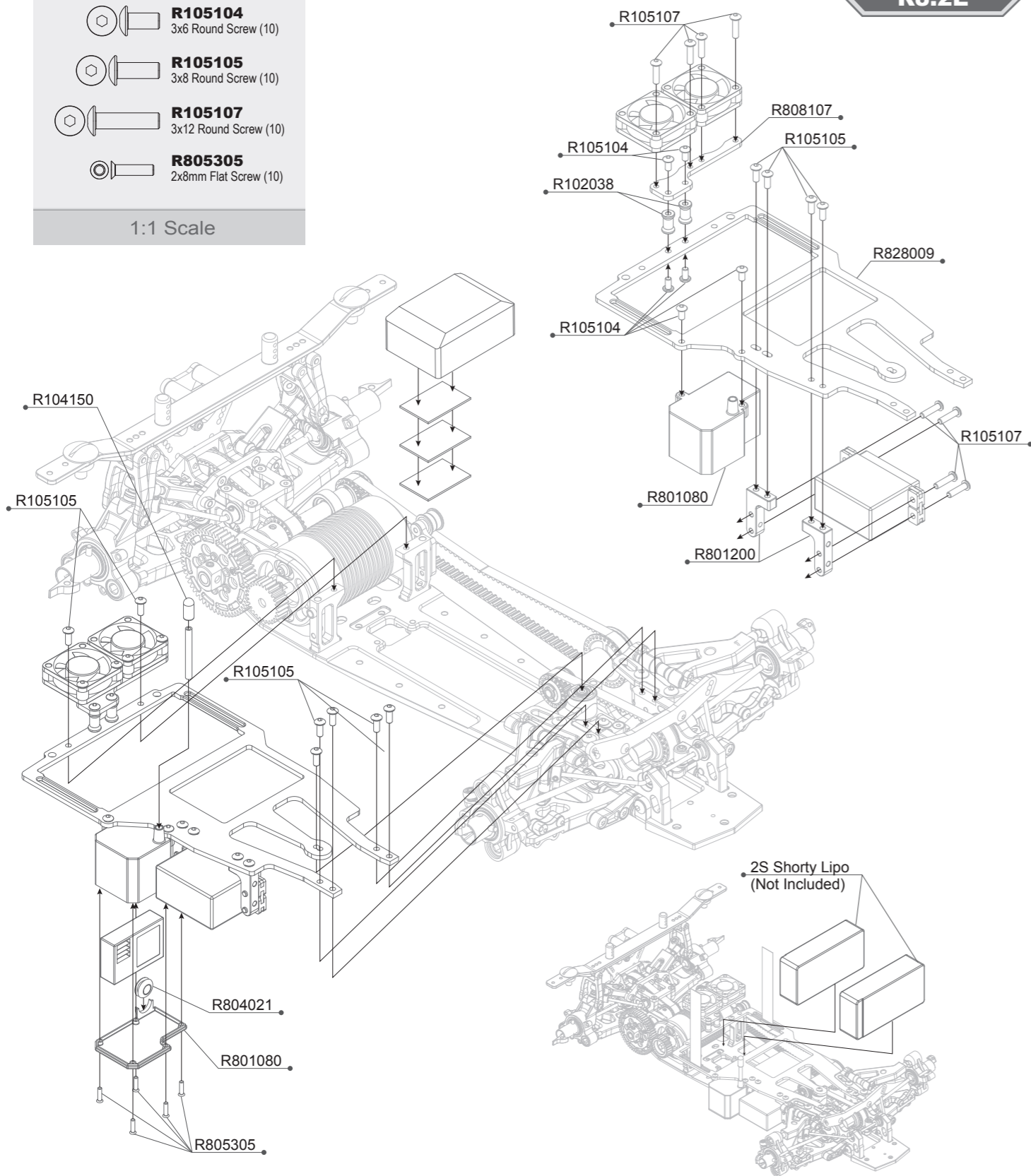


Please adjust pinion & spur gear mesh well.

- | | | | |
|---------|-----------------------|---------|------------------------|
| R105301 | 3x8mm Cap Screw (10) | R805020 | 3x8x1mm Steel Shim (6) |
| R802221 | R8.0E Pinion 27T | R805050 | 4x4mm Set Screw (10) |
| R804032 | Middle Belt 435 | R808015 | Battery Mount Carbon |
| R805010 | 3x5mm Flat Screw (10) | | |

-  **R105104**
3x6 Round Screw (10)
-  **R105105**
3x8 Round Screw (10)
-  **R105107**
3x12 Round Screw (10)
-  **R805305**
2x8mm Flat Screw (10)

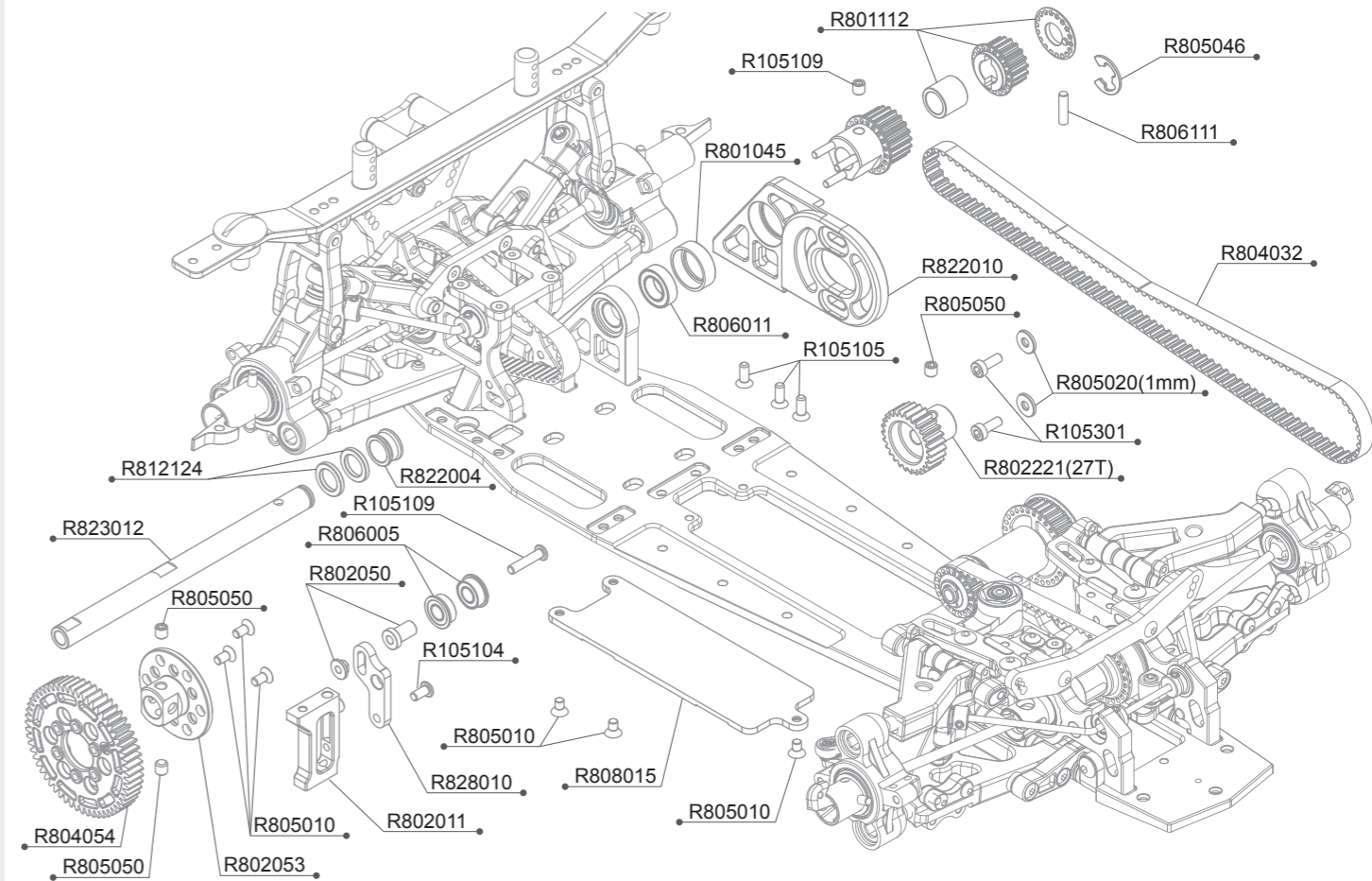
1:1 Scale



- R102038 Aluminum Tower (2)
- R104150 Antenna (1set)
- R105104 3x6 Round Screw (10)
- R105105 3x8 Round Screw (10)
- R105107 3x12 Round Screw (10)
- R801080 Radio Box

- R801200 Servo Mount Set
- R804021 Rubber Grommet (2)
- R805305 2x8mm Flat Screw (10)
- R808107 R8.0E Fan Mount
- R828009 R8.2E Upper Deck





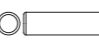






R8.2E PARTS EXPLORE VIEW



R8.2E PARTS LIST

- | | | | |
|---------|---------------------------------|---------|--------------------------------|
| R105104 | 3x6 Round Screw (10) | R805020 | 3x8x1mm Steel Shim (6) |
| R105105 | 3x8 Round Screw (10) | R805046 | E-Clip 7mm (6) |
| R105109 | 3x16 Round Screw (10) | R805050 | 4x4mm Set Screw (10) |
| R105301 | 3x8mm Cap Screw (10) | R806005 | 5x10x4 Flange Ball Bearing (2) |
| R801045 | Bearing Bushing -Main Shaft (2) | R806011 | 8x14x4 Ball Bearing (2) |
| R801112 | Pulley Set -Middle | R806111 | Pin 3x11.8 (6) |
| R802011 | Center Bulkhead -Alu | R808015 | Battery Mount Carbon |
| R802050 | Belt Tensioner Shaft | R812124 | 8x12x1.6mm Alu Shims (2) |
| R802053 | 1-Speed Spur Adaptor | R822004 | 2-Speed Shaft Shim-Alu |
| R802221 | R8.0E Pinion 27T | R822010 | R8.2E Motor Bulkhead |
| R804032 | Middle Belt 435 | R823012 | R8.2E Main Shaft |
| R804054 | 2nd Spur 57T | R828010 | R8.2E Belt Tensioner Plate |
| R805010 | 3x5mm Flat Screw (10) | | |

1:1 SCALE

- | | | |
|--|---|--|
|  R105104
3x6 Round Screw (10) |  R805050
4x4mm Set Screw (10) |  R806011
8x14x4mm
Ball Bearing (2) |
|  R105105
3x8 Round Screw (10) |  R806111
Ø3x11.8 Pin (6) |  R806005
5x10x4mm
Flange Ball Bearing (2) |
|  R105109
3x16 Round Screw (10) |  R805020
3x8x1mm Steel Shim (6) |  R805046
E-Clip 7mm (6) |
|  R805010
3x5mm Flat Screw (10) | | |
|  R105301
3x8mm Cap Screw (10) | | |