

RACE

TRACK

NAME

CITY

DATE

TEMPERATURE		AIR	TRACK	
QUALIFYING	BEST LAP TIME	FINAL	RACE LENGTH	
	SEC		MIN	

TRACK CONDITION  BUMPY  SMOOTH  TECHNICAL  MIXED  FAST

TRACTION  LOW  MEDIUM  HIGH

### GEAR RATIO CHART

Pinion - 1st: 19T      2nd: 24T

Spur - 1st: 60 61 62      2nd: 56 57 58

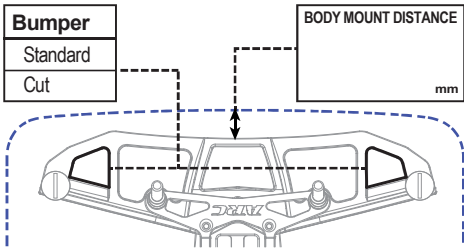
Ratio - 1st: 7.26 7.38 7.51      2nd: 5.37 5.46 5.56

SHOCK		Front	Rear
CST	OIL	<input type="text"/>	CST
	SPRING	<input type="text"/>	<input type="text"/>
	PISTON	<input type="text"/>	<input type="text"/>
%	REBOUND	<input type="text"/>	%

### TIRE

Brand		L		R	
L	R	Shore	L	R	
L	R	Tire Diam	L	R	
mm	mm	mm	mm	mm	mm
Additive		<input type="text"/>			
Surface		<input type="text"/>			
Time		<input type="text"/>			

### BODY



BODY  WING  mm

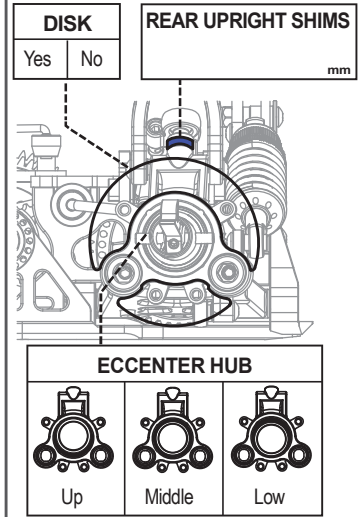
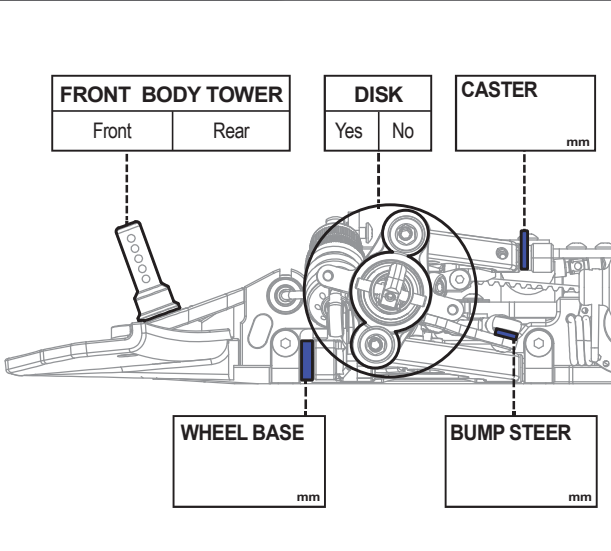
### ENGINE

Engine	Pipe
Plug	Carb Dia <input type="text"/> mm
Fuel	Head Shims <input type="text"/> mm

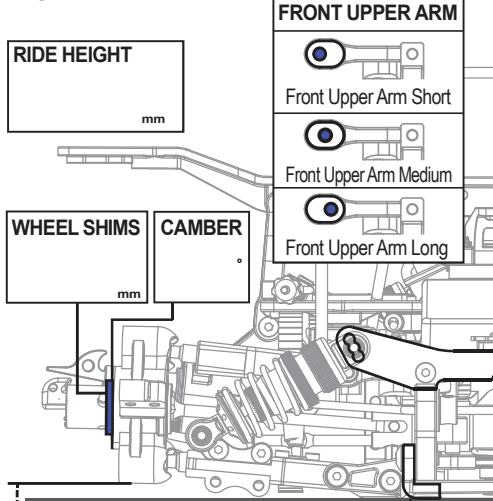
### CLUTCH

Clutch Bell	Clutch Shoes
Spring Load <input type="text"/> mm	Bell Clearance <input type="text"/> mm

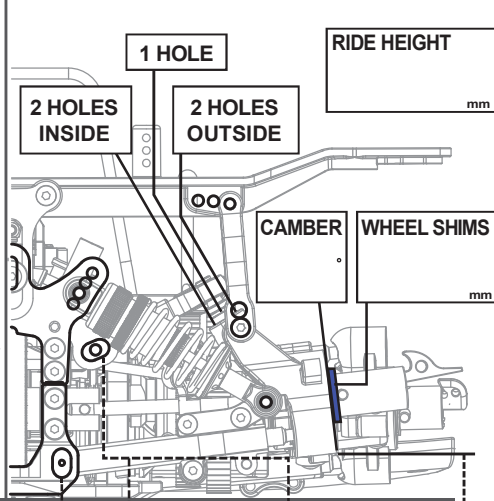
### NOTE



### FRONT



### REAR



DOWNSTOP <input type="text"/> mm	+0mm <input type="checkbox"/> R801021	+2mm <input type="checkbox"/> R801022	REAR ROLL CENTER <input type="checkbox"/> <input type="checkbox"/>	I-TYPE <input type="checkbox"/>	REAR UPPER LINK <input type="checkbox"/> <input type="checkbox"/> <input type="checkbox"/>	DOWNSTOP <input type="text"/> mm
----------------------------------	---------------------------------------	---------------------------------------	--	---------------------------------	--	----------------------------------

