

RACE Timezone GP
 TRACK Timezone Raceway Park
 NAME Kody Knudtson
 CITY / COUNTRY Battleground, WA USA
 DATE July 16-19th, 2015

TEMPERATURE AIR 90+ TRACK 140+
 QUALIFYING POSITION 1st BEST LAP TIME SEC FINAL POSITION 1st RACE LENGTH 45 MIN
 TRACK LAYOUT TECHNICAL MIXED FAST
 TRACTION LOW MEDIUM HIGH

GEAR RATIO CHART

Spur	Spur 1st			Spur 2nd		
Pinion	60	61	62	56	57	58
1st 19T	<input type="checkbox"/>	<input checked="" type="checkbox"/>	<input type="checkbox"/>	5.37	5.46	5.56
2nd 24T	7.26	7.38	7.51	<input type="checkbox"/>	<input checked="" type="checkbox"/>	<input type="checkbox"/>

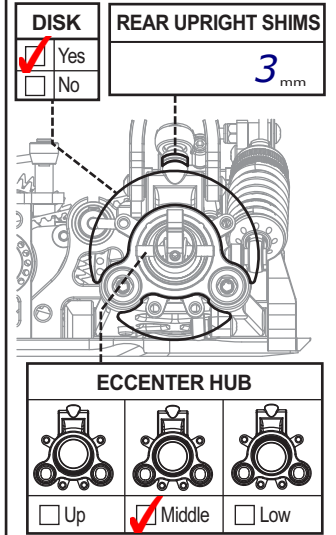
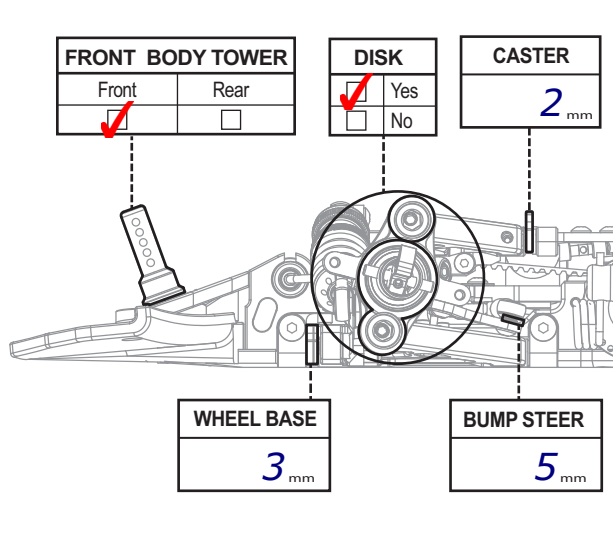
SHOCK
 Front: 1 HOLE 2 HOLE
 SHOCK PISTON: 1 HOLE 2 HOLE
 Rear: 1 HOLE 2 HOLE
 OIL: Losi 45 CST
 SPRING: Front X 7.5 Rear X 5.0
 HOLE SIZE: 1 mm

TIRE
 Front Left: SRC 32° Shore 32°
 Front Right: 32°
 Rear Left: SRC 35°
 Rear Right: 35°
 Front Left: 69 mm Ø
 Front Right: 69 mm
 Rear Left: 76 mm
 Rear Right: 76 mm
 Additive:

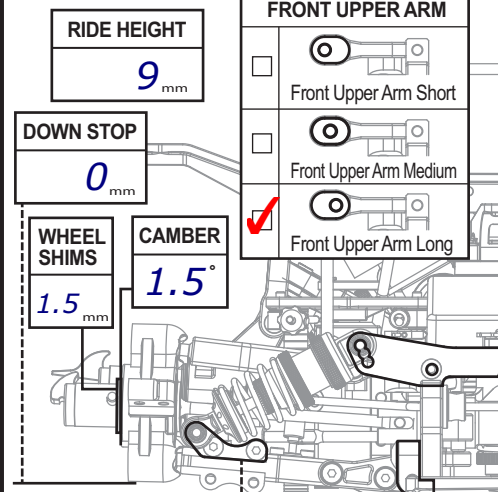
BODY
 Bumper: Standard Cut
 BODY MOUNT DISTANCE: 25 mm
 BODY: Blitz TS040 WING: 5 mm

ENGINE
 Engine: Max RP9.0 Pipe: Max 2094
 Plug: Max M7 Carb Diameter: 8.5 mm
 Fuel: Byrons Head Shims: Stock mm

CLUTCH
 Clutch Bell: Steel Clutch Shoes: Yellow
 Spring Load: .75 HD mm Bell Clearance: .7 mm



FRONT



REAR

