

NOTICE

TH =Apply Thread Lock Adhesive

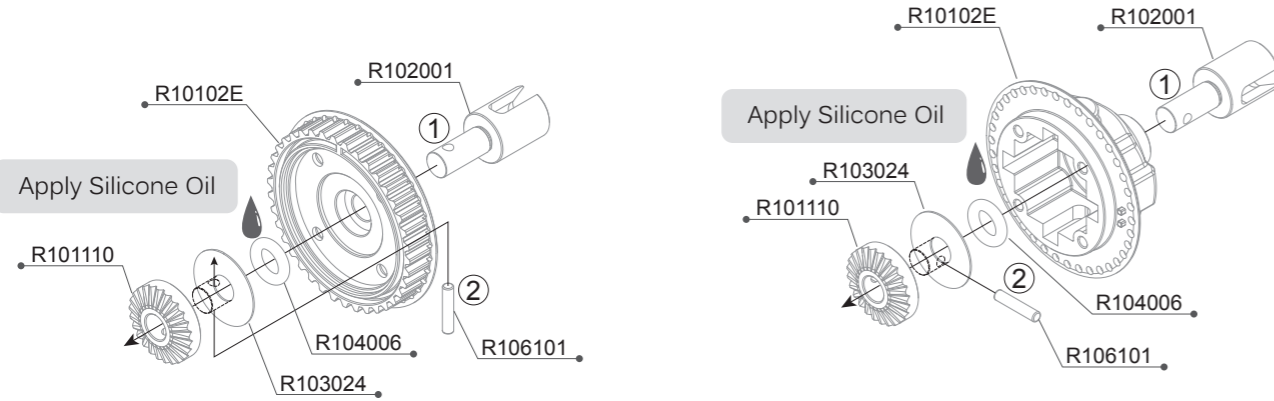
CA =Apply CA Glue

GE =Apply Grease

R106101
Ø2x9.8 Pin (10)

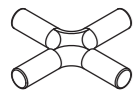
1:1 Scale

BAG 01



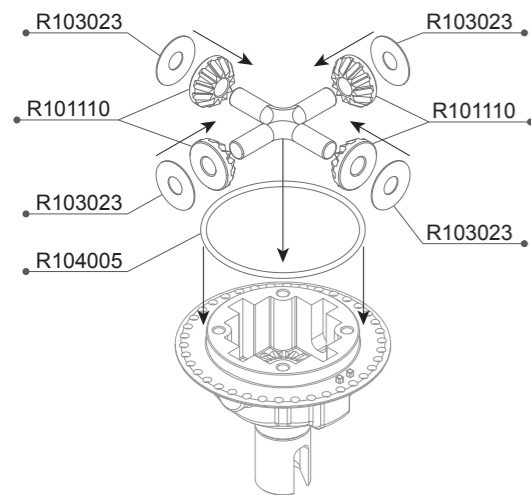
- R10102E Rear Diff Case
- R102001 Gear Diff Outdrive Alu(2pcs)
- R101110 Diff Gears (with Axle)

- R103024 Gear Diff Shim Big(4pcs)
- R104006 O'ring 5x2(4pcs)
- R106101 2x9.8mm Pin (10pcs)



NOTICE

Trim any excess flashing from the diff gear axle at the mold injection point.



Silicone Oil #60000

Fill oil to top of axle as pictured here

NOTICE

We recommend using 1.5 grams of silicone diff oil.

- R101110 Diff Gears (with Axle)
- R103023 Gear Diff Shim Small(8pcs)

- R104005 O'Ring 26x1 For Diff Case(2pcs)

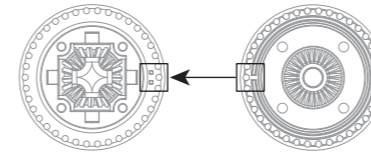
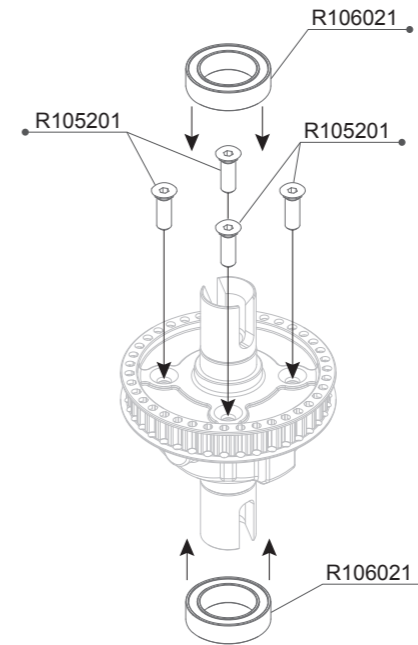
BAG 01

R105201
2.5x8mm Flat Screw (10)



R106021
Low Friction Ball Bearing 10x15x4 (4)

1:1 Scale



NOTICE

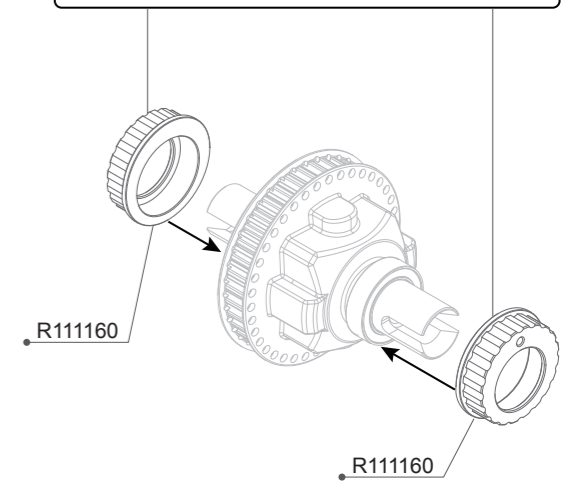
Diff case direction needs to match as below.

- R105201 2.5x8mm Flat Screw (10)
- R106021 Low Friction Ball Bearing 10x15x4 (4pcs)

- R11160 R11 Eccentric Hub (4)

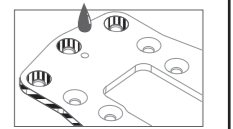
Option Parts (Not Included)

R112053
R11 Eccentric Hub-Alu (4)



- R118300 R11F Main Carbon Chassis 2.25mm

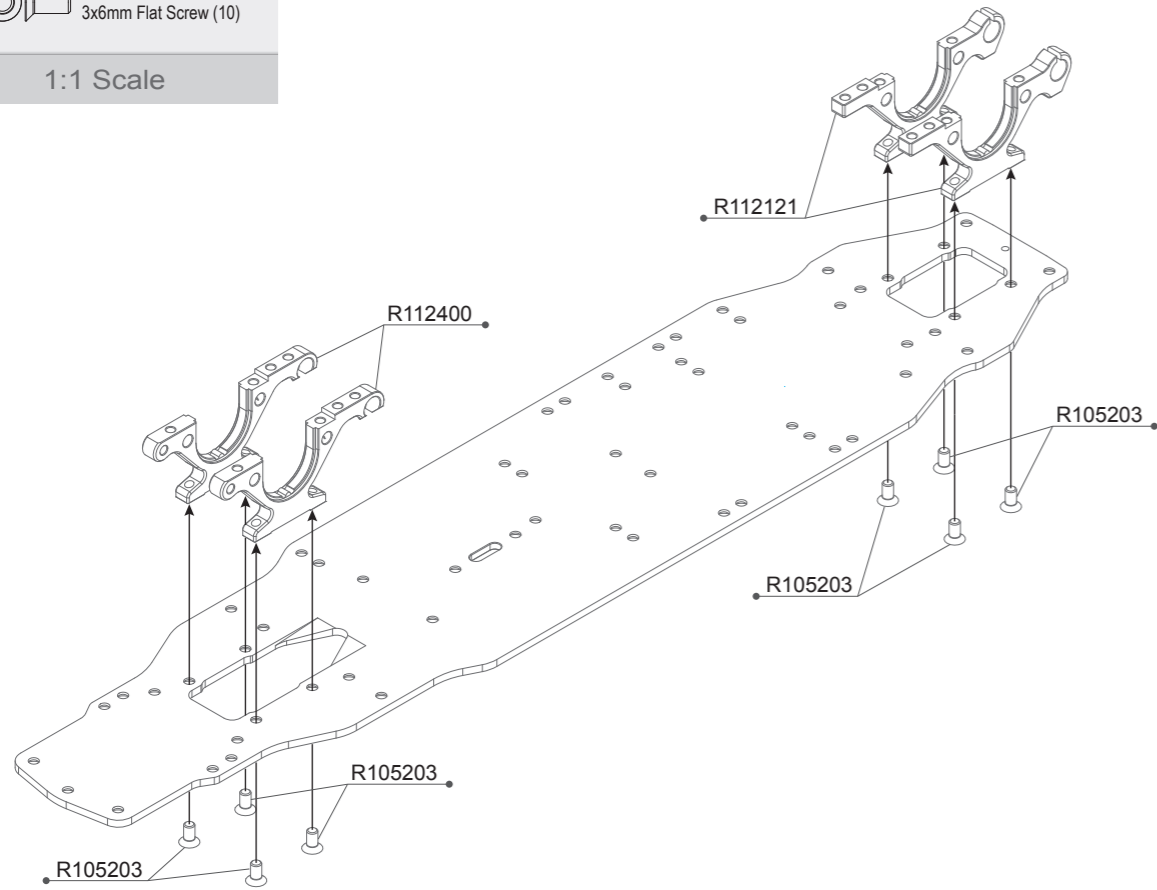
NOTICE



Apply CA Glue to the chassis edges and front bumper screws as highlighted.

R105203
3x6mm Flat Screw (10)

1:1 Scale

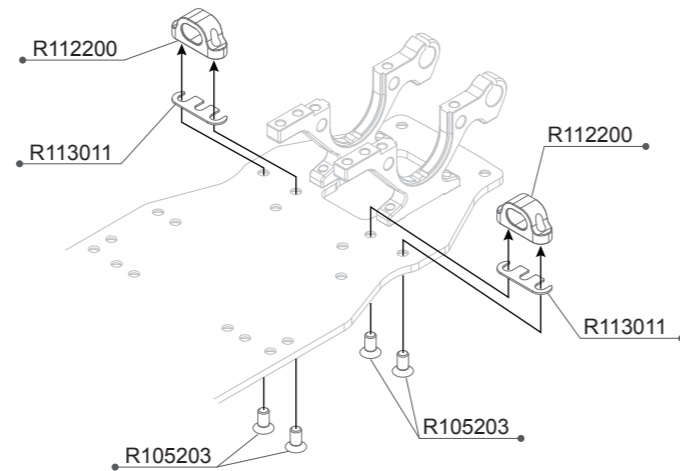


R105203 3x6mm Flat Screw (10)
R112121 R11 2019 Lower Bulkhead

R112400 R11F Front Bulkhead

R105203
3x6mm Flat Screw (10)

1:1 Scale



Option Parts (Not Included)

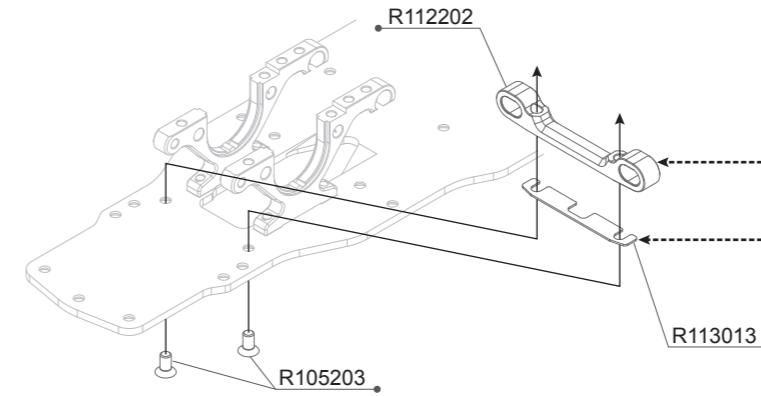
R113010
R11 Roll Center Shims-Narrow 0.3mm (4)

R105203 3x6mm Flat Screw (10)
R112200 R11 Suspension Block RF (2)

R113011 R11 Roll Center Shims-Narrow 0.5mm (4)

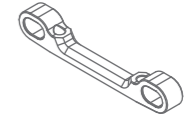
R105203
3x6mm Flat Screw (10)

1:1 Scale

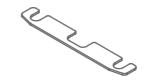


Option Parts (Not Included)

R113202
R11 Suspension Block FF-Brass



R113012
R11 Roll Center Shims 0.3mm (4)



R105203 3x6mm Flat Screw (10)
R112202 R11 Suspension Block FF

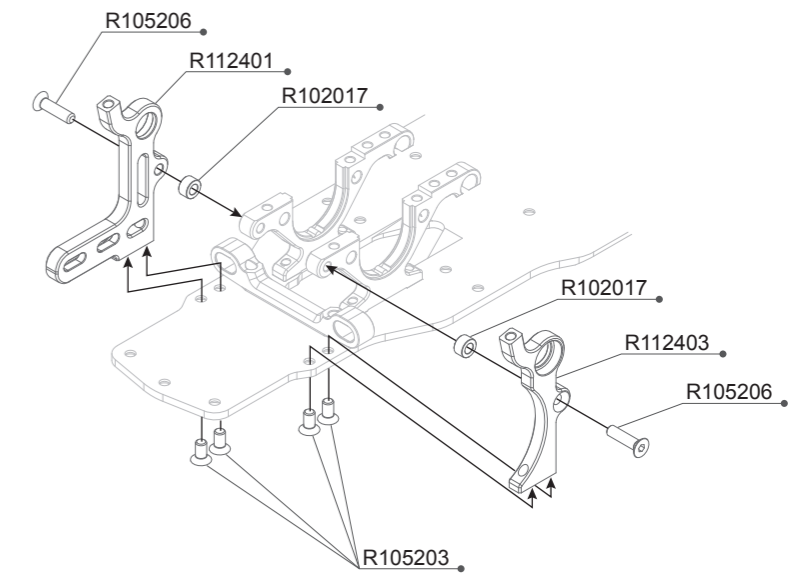
R113013 R11 Roll Center Shims 0.5mm (4)

R102017
3x5.5x3mm Alu Shims (4)

R105203
3x6mm Flat Screw (10)

R105206
3x12mm Flat Screw (10)

1:1 Scale



R102017 3X5.5X3mm Alu Shims(4pcs)
R105203 3x6mm Flat Screw (10)
R105206 3x12mm Flat Screw (10)

R112401 R11F Motor Bulkhead-R
R112403 R11F Motor Bulkhead-L



R105103
3x4 Round Screw (10)



R105504
E-Clip 4mm (8)



R106013
6x10x3 Ball Bearing (2)

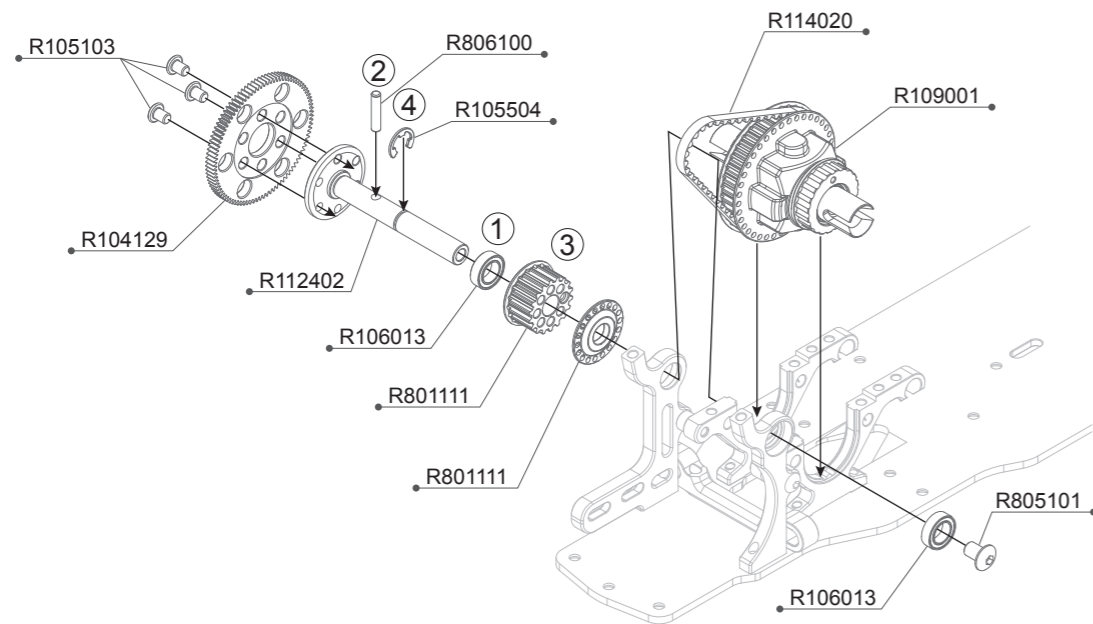


R805101
4x6 Round Screw (10)

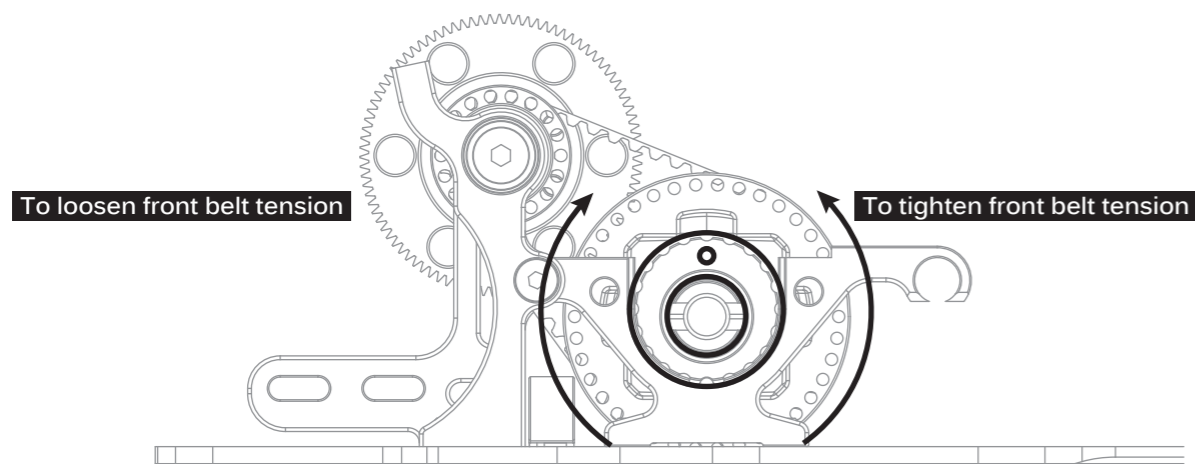


R806100
Ø2.5x11.8 Pin (6)

1:1 Scale



BELT TENSION ADJUSTMENT



R104129 CNC Spur 92T (64dp)
R105103 3x4 Round Screw (10)
R105504 E-Clip 4mm (8pcs)
R106013 6x10x3 Ball Bearing (2)
R112402 R11F Spur Shaft

R114020 R11F Belt 156-3
R801111 Pulley Set -Front
R805101 4x6 Round Screw (10)
R806100 Pin 2.5x11.8 (6)



R105104
3x6 Round Screw (10)

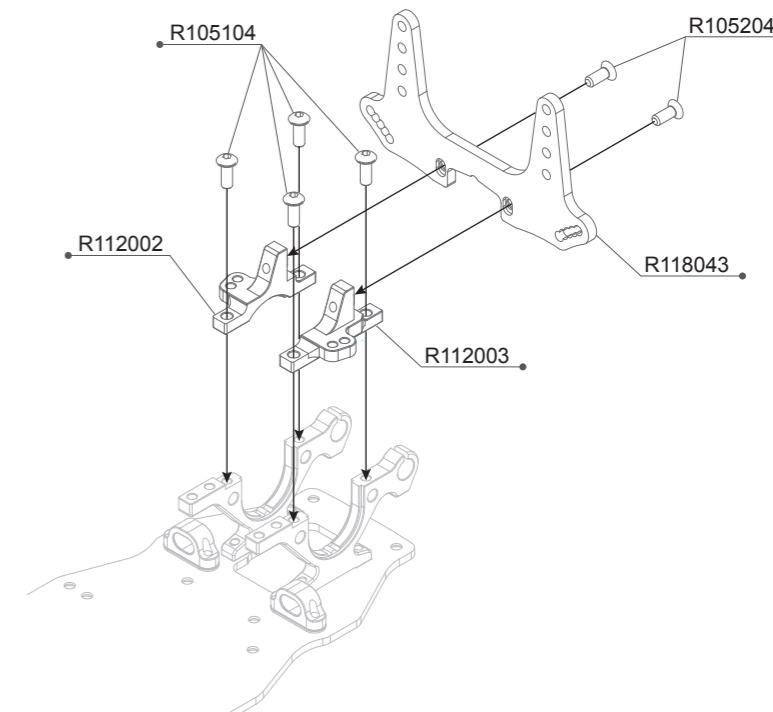
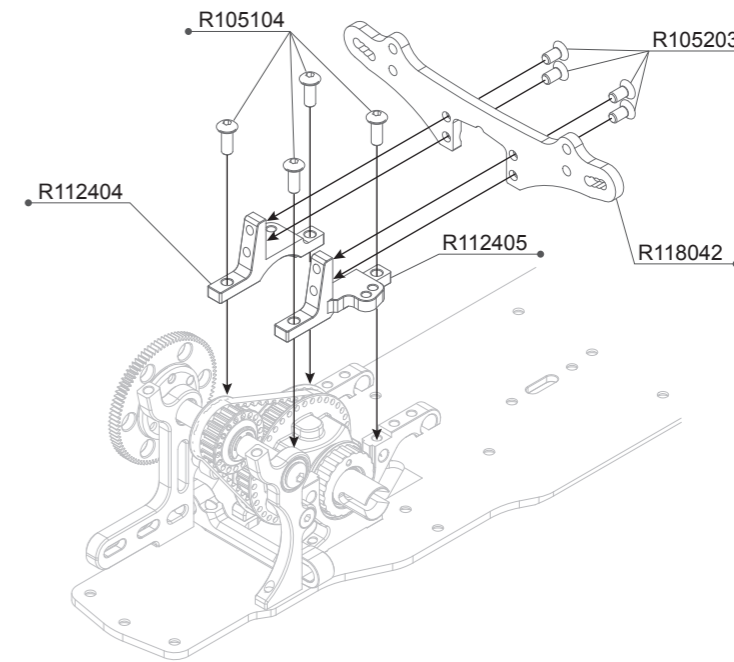


R105203
3x6mm Flat Screw (10)



R105204
3x8mm Flat Screw (10)

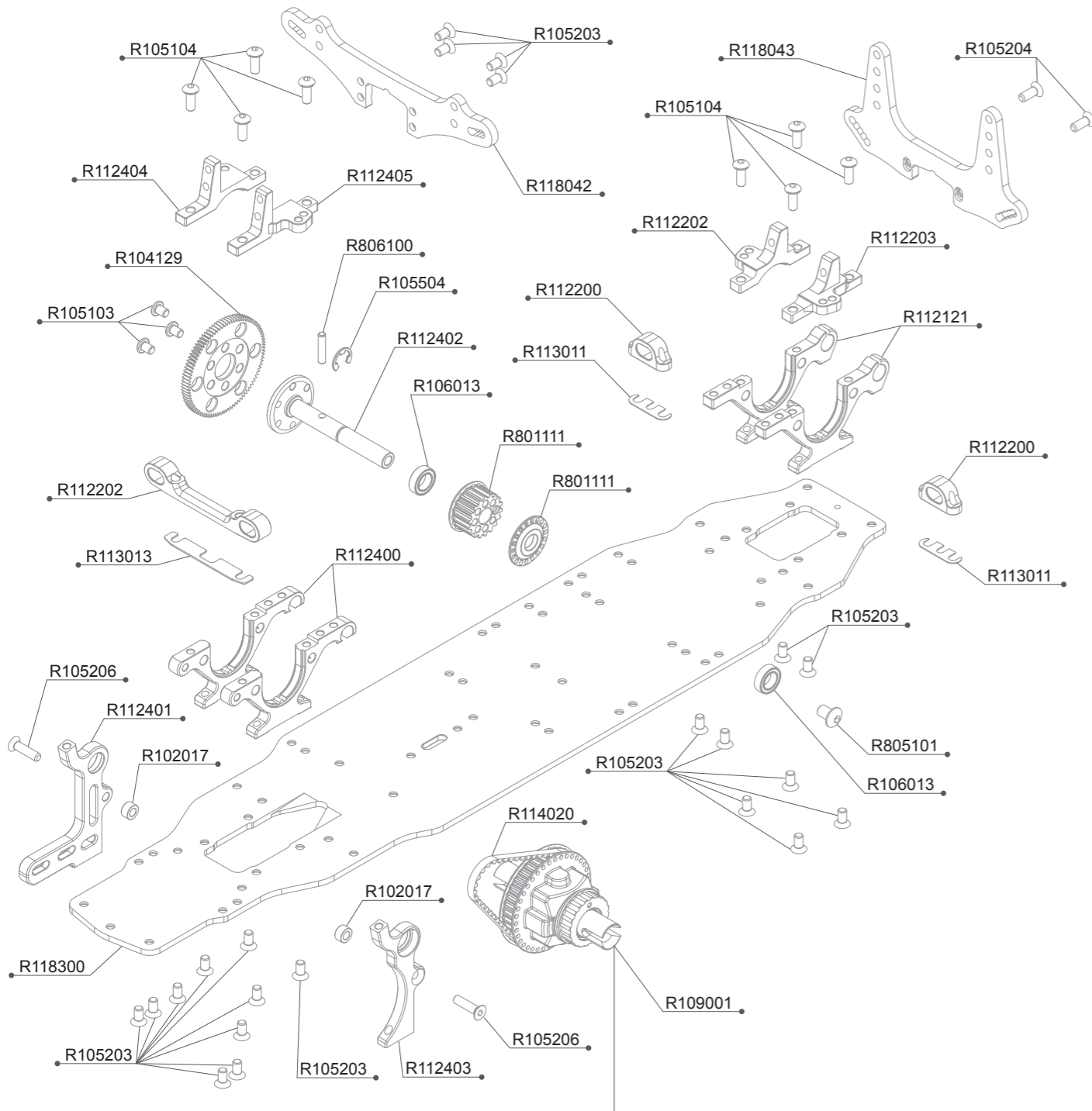
1:1 Scale



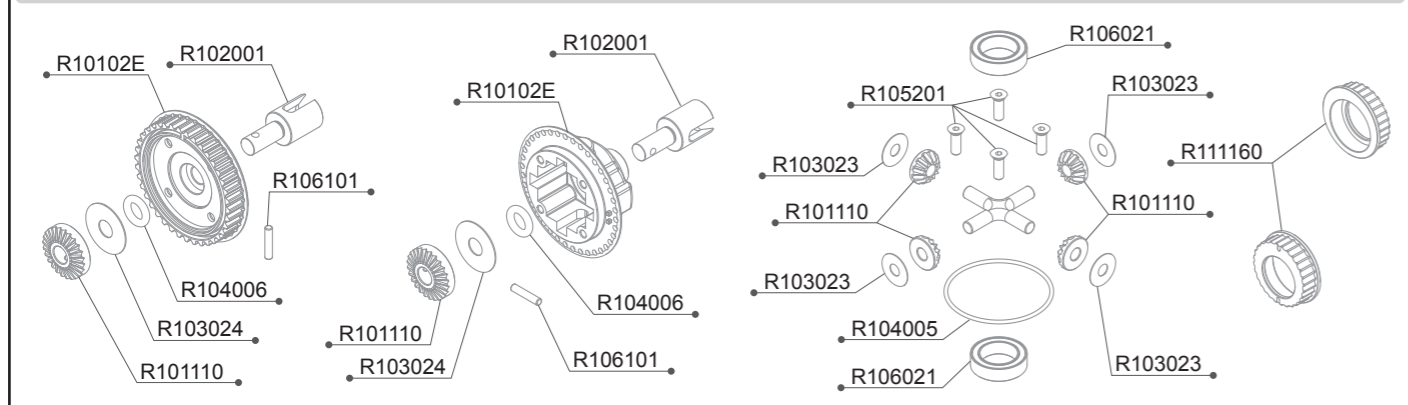
R105104 3x6 Round Screw (10)
R105203 3x6mm Flat Screw (10)
R105204 3x8mm Flat Screw (10)
R112002 R11 Upper Bulkhead (FL/RR)
R112003 R11 Upper Bulkhead (FR/RL)

R112404 R11F Upper Bulkhead-R
R112405 R11F Upper Bulkhead-L
R118042 R11F Front Shock Tower
R118043 R11F Rear Shock Tower

R11F BAG 01 PARTS EXPLODED VIEW







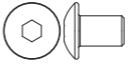




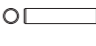

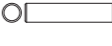
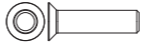
R109001 PARTS EXPLODED VIEW



R11F BAG 01 PARTS LIST

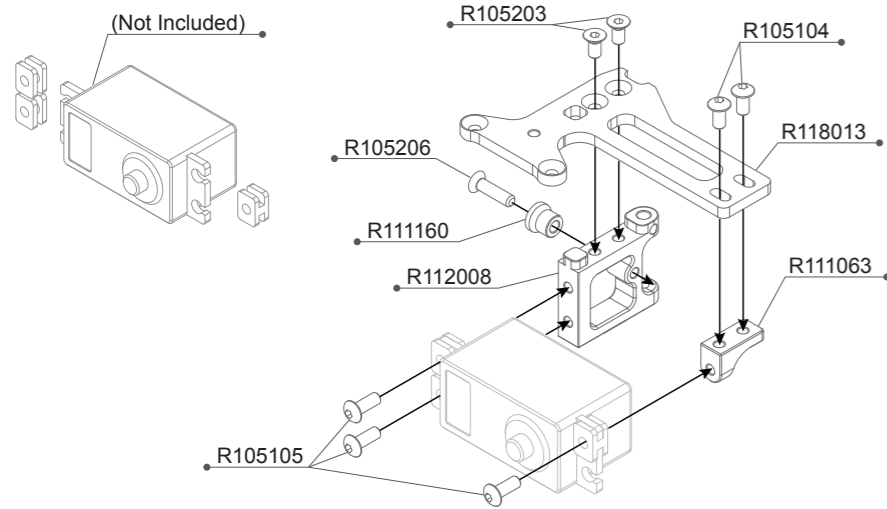
R10102E	Rear Diff Case	R112002	R11 Upper Bulkhead (FL/RR)
R101110	Diff Gears (with Axle)	R112003	R11 Upper Bulkhead (FR/RL)
R102001	Gear Diff Outdrive Alu(2pcs)	R112121	R11 2019 Lower Bulkhead
R102017	3X5.5X3mm Alu Shims(4pcs)	R112200	R11 Suspension Block RF (2)
R103023	Gear Diff Shim Small(8pcs)	R112202	R11 Suspension Block FF
R103024	Gear Diff Shim Big(4pcs)	R112400	R11F Front Bulkhead
R104005	O'Ring 26x1 For Diff Case(2pcs)	R112401	R11F Motor Bulkhead-R
R104006	O'ring 5x2(4pcs)	R112402	R11F Spur Shaft
R104129	CNC Spur 92T (64dp)	R112403	R11F Motor Bulkhead-L
R105103	3x4 Round Screw (10)	R112404	R11F Upper Bulkhead-R
R105104	3x6 Round Screw (10)	R112405	R11F Upper Bulkhead-L
R105201	2.5x8mm Flat Screw (10)	R113011	R11 Roll Center Shims-Narrow 0.5mm (4)
R105203	3x6mm Flat Screw (10)	R113013	R11 Roll Center Shims 0.5mm (4)
R105204	3x8mm Flat Screw (10)	R114020	R11F Belt 156-3
R105206	3x12mm Flat Screw (10)	R118042	R11F Front Shock Tower
R105504	E-Clip 4mm (8pcs)	R118043	R11F Rear Shock Tower
R106013	6x10x3 Ball Bearing (2)	R118300	R11F Main Carbon Chassis 2.25mm
R106021	Low Friction Ball Bearing 10x15x4 (4pcs)	R801111	Pulley Set -Front
R106101	2x9.8mm Pin (10pcs)	R805101	4x6 Round Screw (10)
R111160	R11 Eccentric Hub (4)	R806100	Pin 2.5x11.8 (6)

1:1 SCALE

	R105103 3x4 Round Screw (10)		R102017 3x5.5x3mm Alu Shims (4)
	R105104 3x6 Round Screw (10)		R105504 E-Clip 4mm (8)
	R805101 4x6 Round Screw (10)		R106013 6x10x3 Ball Bearing (2)
	R105201 2.5x8mm Flat Screw (10)		R106021 Low Friction Ball Bearing 10x15x4
	R105203 3x6mm Flat Screw (10)		R106101 Ø2x9.8 Pin (10)
	R105204 3x8mm Flat Screw (10)		R806100 Ø2.5x11.8 Pin (6)
	R105206 3x12mm Flat Screw (10)		

-  **R105104** 3x6 Round Screw (10)
-  **R105105** 3x8 Round Screw (10)
-  **R105203** 3x6mm Flat Screw (10)
-  **R105206** 3x12mm Flat Screw (10)

1:1 Scale



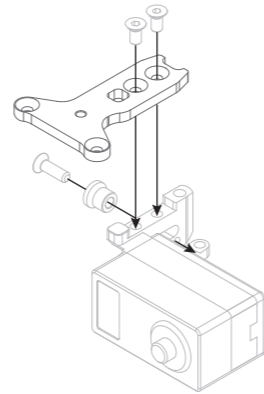
NOTICE

It is recommended to use servo mount rubber.

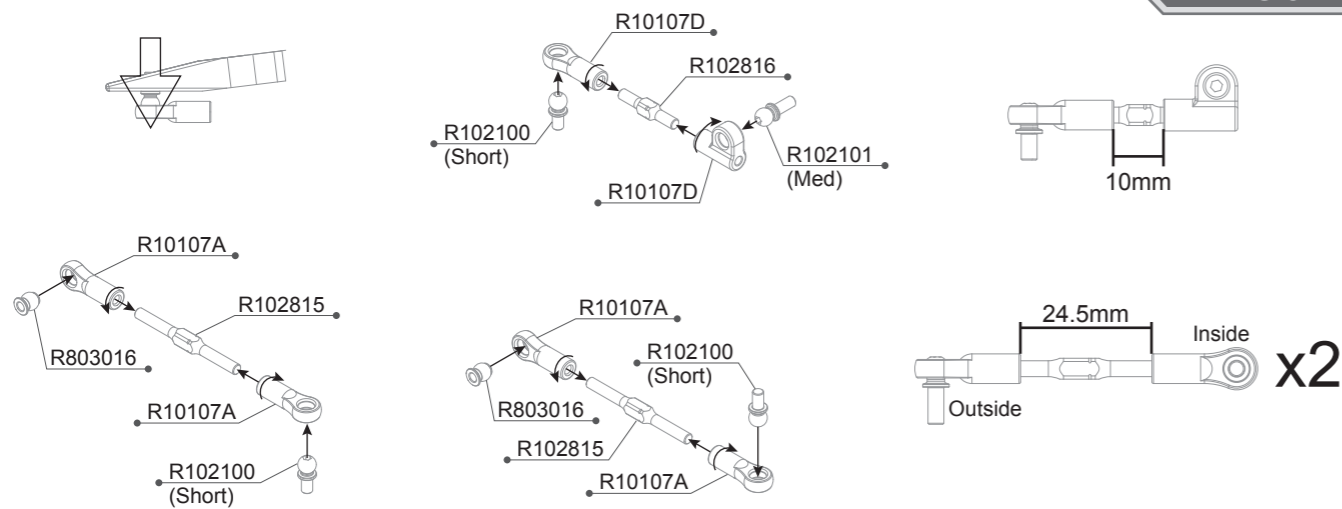
Option Parts (Not Included)

R118014
SRS Floating Steering plate




When using the SRS, you can choose to use the optional R118014 Floating steering plate for further weight reductions and a cleaner look.



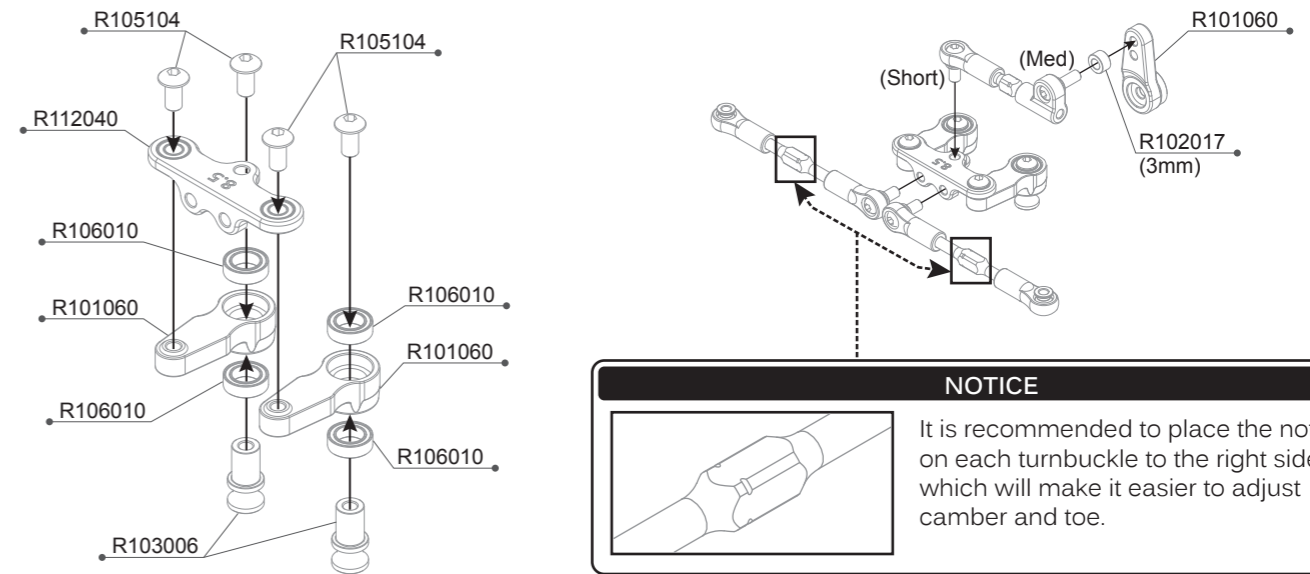
- | | |
|--------------------------------|--|
| R105104 3x6 Round Screw (10) | R111063 R11 Servo Mount-Left |
| R105105 3x8 Round Screw (10) | R111160 R11 Eccentric Hub (4) |
| R105203 3x6mm Flat Screw (10) | R112008 R11 Servo Mount Base |
| R105206 3x12mm Flat Screw (10) | R118013 R11 Floating Servo Mount Plate |



- | | |
|--|---|
| R10107A Ball Joint 4.9mm Open (6pcs) | R102815 Turnbuckle 3x37mm ALU-7075 (2pcs) |
| R10107D Steering Rod Ball joint | R102816 Turnbuckle 3x20mm ALU-7075 (2pcs) |
| R102100 Alu 4.9mm Ball End Short(4pcs) | R803016 Ball Head 4.9mm (4) |
| R102101 Alu 4.9mm Ball End Med(4pcs) | |

-  **R105104** 3x6mm Round Screw (10)
-  **R102017** 3x5.5x3mm Alu Shims (4)
-  **R106010** 5x8x2.5mm Ball Bearing (4)



1:1 Scale



NOTICE

It is recommended to place the notch on each turnbuckle to the right side, which will make it easier to adjust camber and toe.

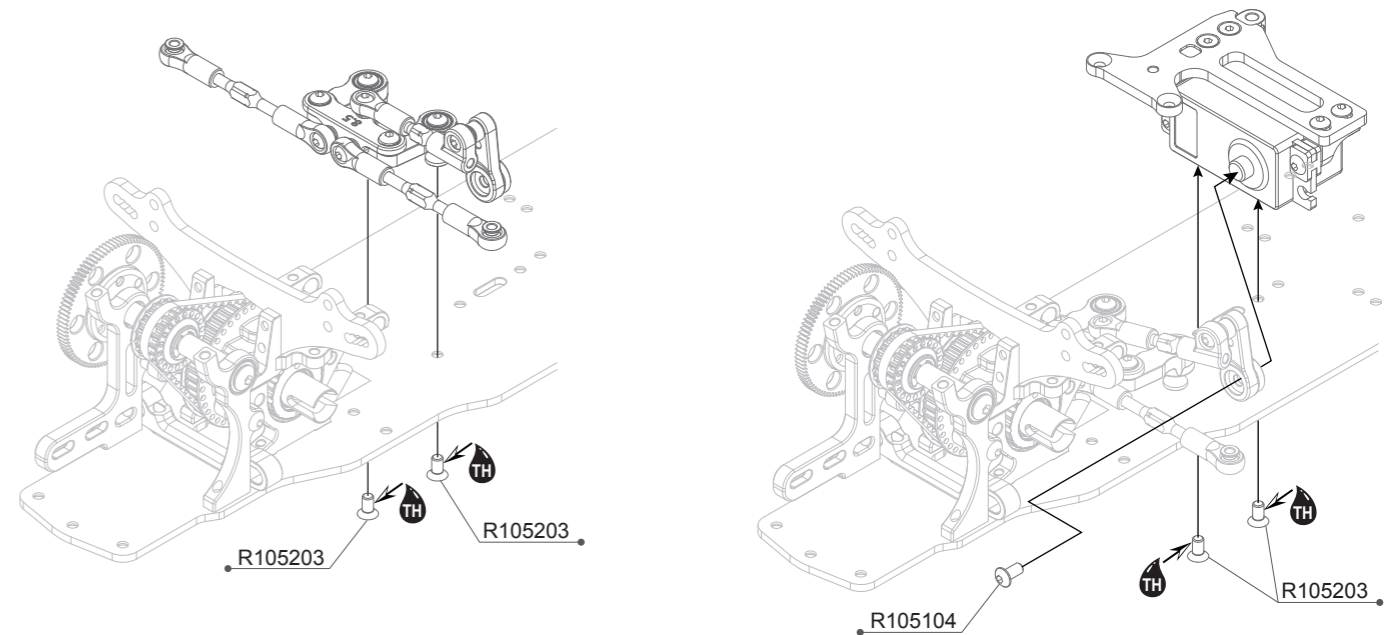
- | | |
|--------------------------------------|---------------------------------------|
| R101060 Servo Horn Dual steering arm | R105104 3x6 Round Screw (10) |
| R102017 3X5.5X3mm Alu Shims(4pcs) | R106010 5x8x2.5mm Ball Bearing (4pcs) |
| R103006 Steering Shaft(2pcs) | R112040 Steering Plate 8.5 |

-  **R105104** 3x6 Round Screw (10)
-  **R105203** 3x6mm Flat Screw (10)

1:1 Scale

NOTICE

Apply thread locking compound here.



- | | |
|------------------------------|-------------------------------|
| R105104 3x6 Round Screw (10) | R105203 3x6mm Flat Screw (10) |
|------------------------------|-------------------------------|

Option Parts R119012 ARC SRS (Not Included)



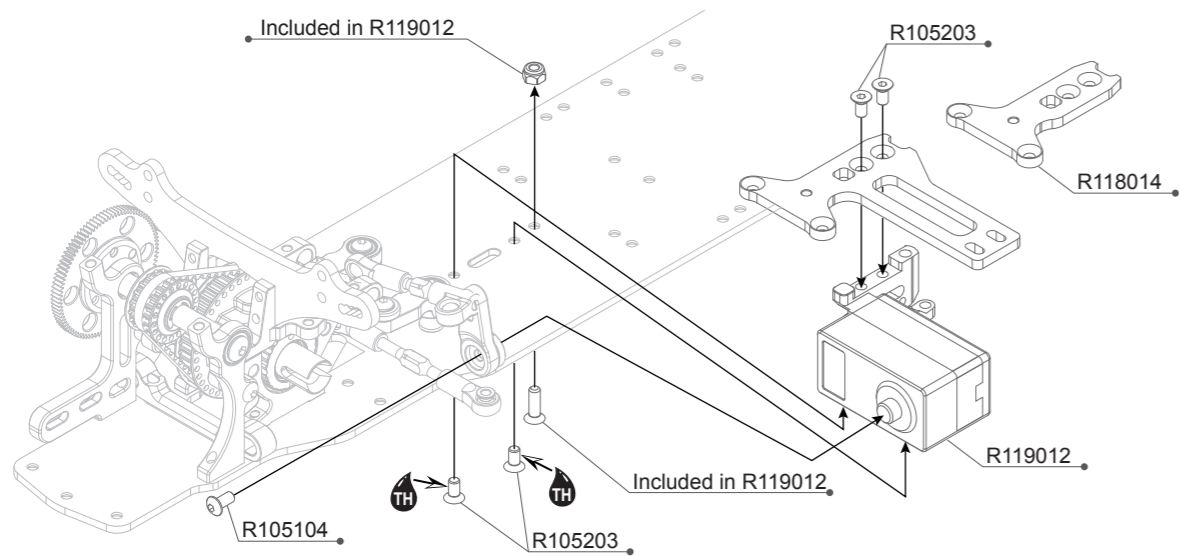
R119012
ARC SRS

The ARC SRS comes with 5 cm all black color servo lead. It will make a neat and clean looking wiring layout. The unique full aluminium case combines with the servo mount helps racers to install this servo easily and precisely with 10g of weight reduction from the original servo mount.
Servo Speed : 0.07 sec/60°
Servo Torque : 9.0 kg/cm
Brushless motor with Digital 4096 resolution controller unit.



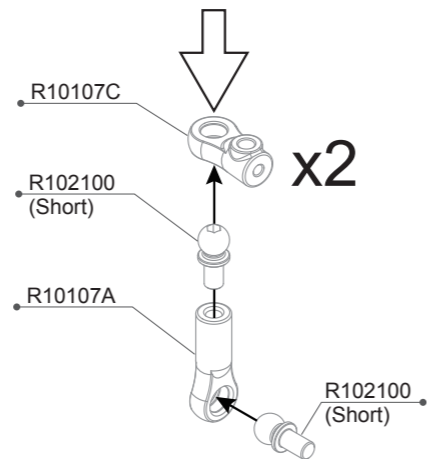
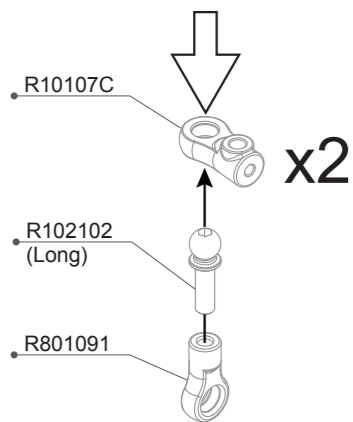
R118014
SRS Floating Steering plate

When using the SRS, you can choose to use the optional R118014 Floating steering plate for further weight reductions and a cleaner look.



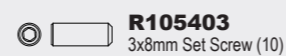
FRONT

REAR

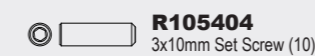


- R10107A Ball Joint 4.9mm Open (6pcs)
- R10107C Anti-Roll Bar Joint (4pcs)
- R102100 Alu 4.9mm Ball End Short(4pcs)

- R102102 Alu 4.9mm Ball End Long(4pcs)
- R801091 Ball End 4.9mm Short (2)



R105403
3x8mm Set Screw (10)

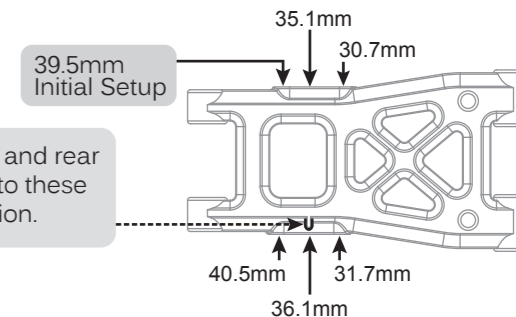
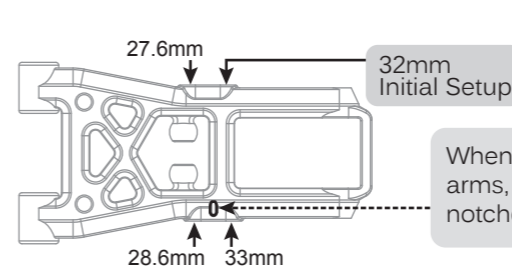


R105404
3x10mm Set Screw (10)

1:1 Scale

FRONT ARM

REAR ARM



When assembling the front and rear arms, please pay attention to these notches for correct orientation.

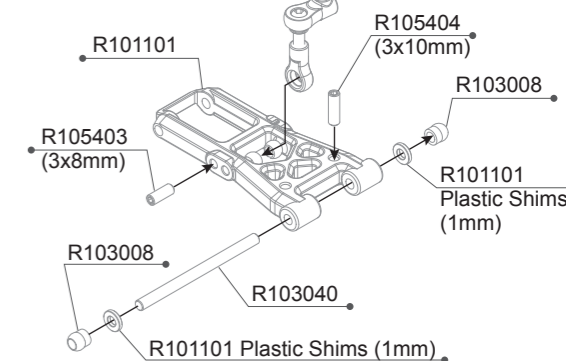
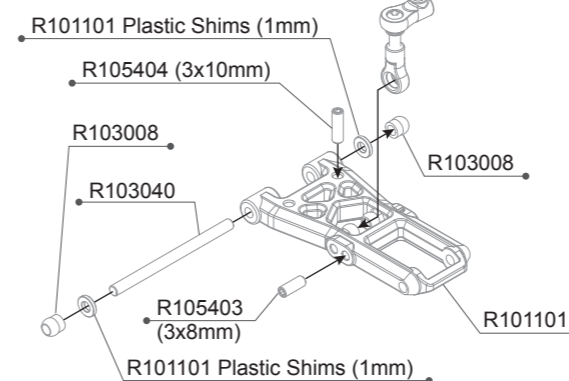
Front lower arms have 4 different shock positions. Make sure left and right sides are both symmetrical during assembly.

Rear lower arms have 6 different positions for shocks and anti-roll bars. Make sure left and right sides are symmetrical during assembly.

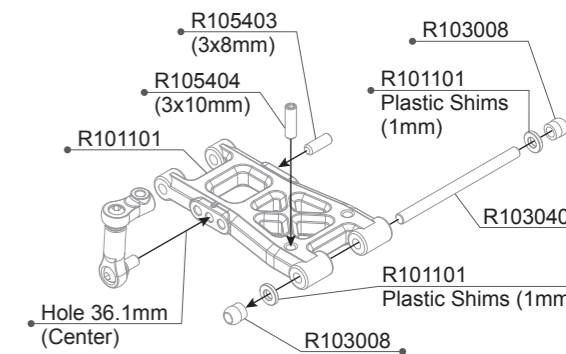
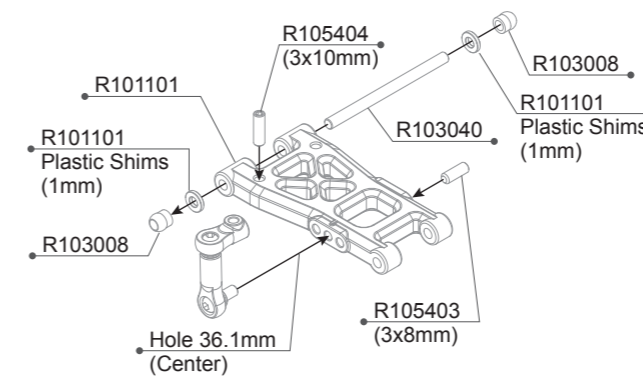
FRONT

Left Side

Right Side



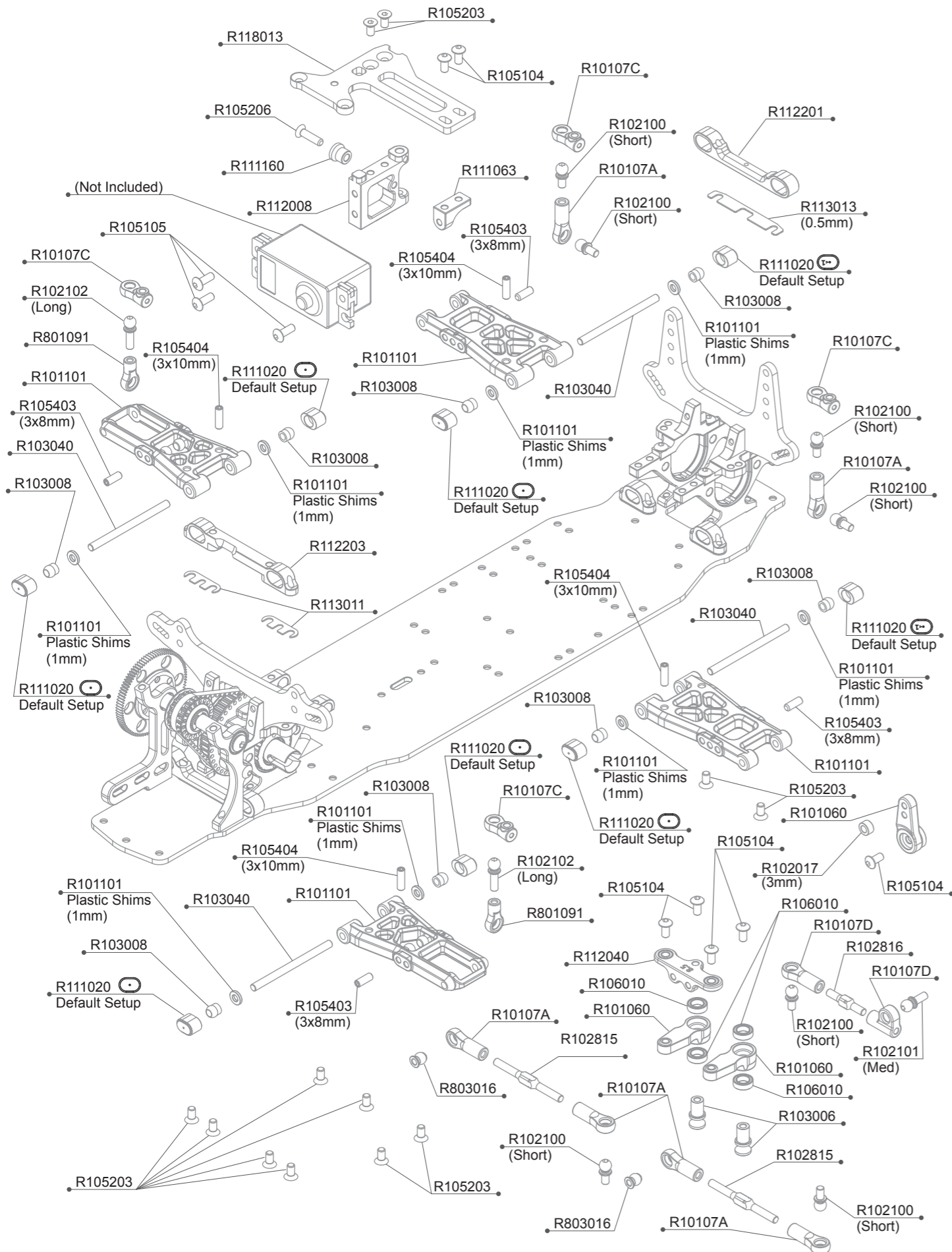
REAR



- R101101 Low Arm F/R Set (Hard)
- R103008 Ball 5mm(4pcs)
- R103040 Pivot Pin Inner-Short (2pcs)

- R105403 3x8mm Set Screw (10)
- R105404 3x10mm Set Screw (10)

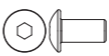

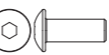

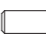
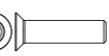
R11F BAG 02 PARTS EXPLODED VIEW



R11F BAG 02 PARTS LIST

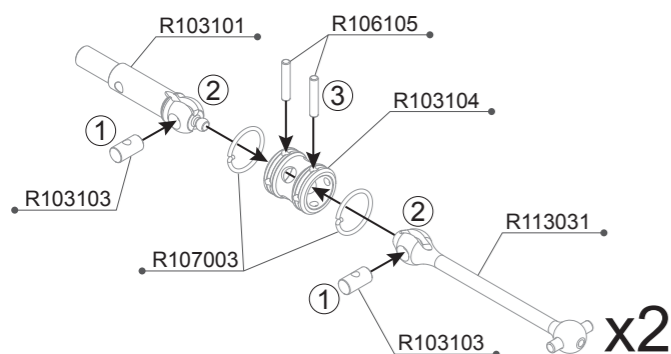
R101060	Servo Horn Dual steering arm	R105206	3x12mm Flat Screw (10)
R10107A	Ball Joint 4.9mm Open (6pcs)	R105403	3x8mm Set Screw (10)
R10107C	Anti-Roll Bar Joint (4pcs)	R105404	3x10mm Set Screw (10)
R10107D	Steering Rod Ball joint	R106010	5x8x2.5mm Ball Bearing (4pcs)
R101101	Low Arm F/R Set (Hard)	R111020	Suspension Insert #0~#2
R102017	3X5.5X3mm Alu Shims(4pcs)	R111063	R11 Servo Mount-Left
R102100	Alu 4.9mm Ball End Short(4pcs)	R111160	R11 Eccentric Hub (4)
R102101	Alu 4.9mm Ball End Med(4pcs)	R112008	R11 Servo Mount Base
R102102	Alu 4.9mm Ball End Long(4pcs)	R112040	Steering Plate 8.5
R102815	Turnbuckle 3x37mm ALU-7075 (2pcs)	R112201	R11 Suspension Block RR
R102816	Turnbuckle 3x20mm ALU-7075 (2pcs)	R112203	R11 Suspension Block FR
R103006	Steering Shaft(2pcs)	R113011	R11 Roll Center Shims-Narrow 0.5mm (4)
R103008	Ball 5mm(4pcs)	R113013	R11 Roll Center Shims 0.5mm (4)
R103040	Pivot Pin Inner-Short (2pcs)	R118013	R11 Floating Servo Mount Plate
R105104	3x6 Round Screw (10)	R801091	Ball End 4.9mm Short (2)
R105105	3x8 Round Screw (10)	R803016	Ball Head 4.9mm (4)
R105203	3x6mm Flat Screw (10)		

1:1 SCALE

	R105104 3x6 Round Screw (10)		R102017 3x5.5x3mm Alu Shims (4)
	R105105 3x8 Round Screw (10)		R105403 3x8mm Set Screw (10)
	R105203 3x6mm Flat Screw (10)		R105404 3x10mm Set Screw (10)
	R105206 3x12mm Flat Screw (10)		R106010 5x8x2.5mm Ball Bearing (4)

- R102020** 3x6x0.5mm Alu Shims (8)
- R105105** 3x8 Round Screw (10)
- R106101** Ø2x9.8 Pin (10)
- R106105** Ø1.5x8.1 Pin (10)
- R106012** Low Friction Ball Bearing 5x10x4 (4)
- R805300** 2.5x8mm Cap Screw (10)

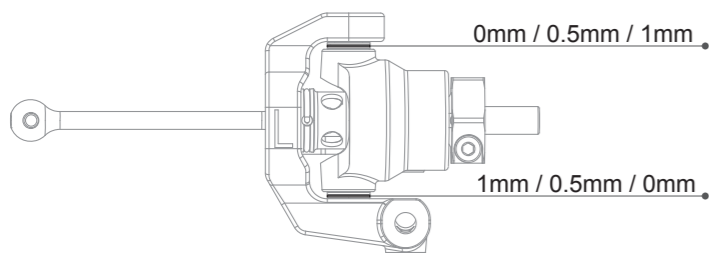
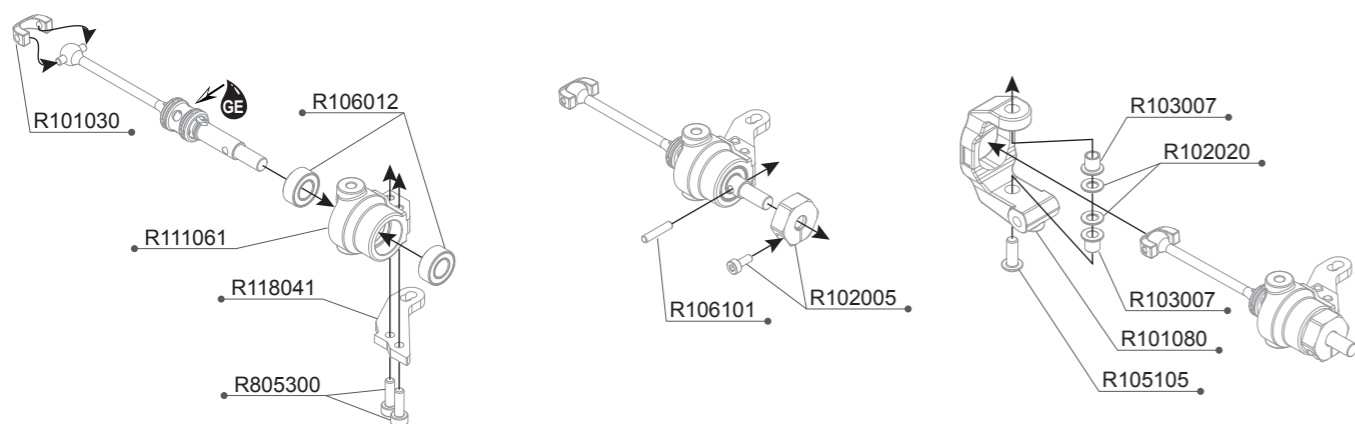
1:1 Scale



NOTICE
R109009

Front 40 DJ CVD **x2**

Front Steering Block L



NOTICE

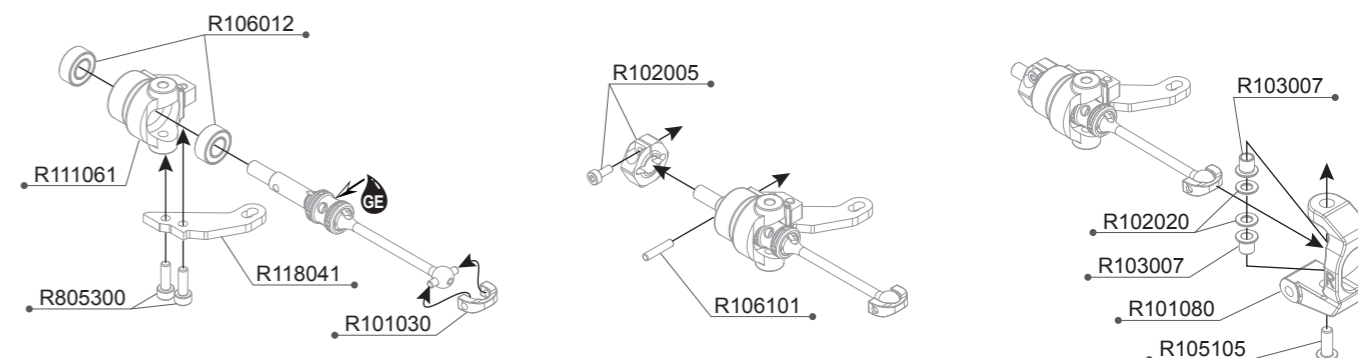
0.5mm shims are used between the steering block and C hub. Axle height can be varied by moving these shims. Generally, higher axle height will increase steering response - good for smaller/technical layouts.

- | | |
|--|---|
| <ul style="list-style-type: none"> R101030 C Cap 3.5mm(16pcs) R101080 C-Hub 4 Right + Left R102005 Hex Wheel Hub Alu(2pcs) R102020 3x6x0.5mm Alu Shims(8pcs) R103007 Steering Block Bushing(4pcs) R103101 D.J CVD Wheel Shaft (1pcs) R103103 D.J CVD Insert(2pcs) R103104 D.J CVD Joint (1pcs) R105105 3x8 Round Screw (10) | <ul style="list-style-type: none"> R106012 Low Friction Ball Bearing 5x10x4 (4pcs) R106101 2x9.8mm Pin (10pcs) R106105 1.5x8mm Pin (10pcs) R107003 D.J CVD G-Clip(8pcs) R111061 R11 Steering Block R113031 D.J CVD Shaft +1 (40mm) 2pcs R118041 R11 Steering Plate-Std (2) R805300 2.5x8mm Cap Screw (10) |
|--|---|

- R102020** 3x6x0.5mm Alu Shims (8)
- R105105** 3x8 Round Screw (10)
- R106101** Ø2x9.8 Pin (10)
- R805300** 2.5x8mm Cap Screw (10)
- R106012** Low Friction Ball Bearing 5x10x4 (4)

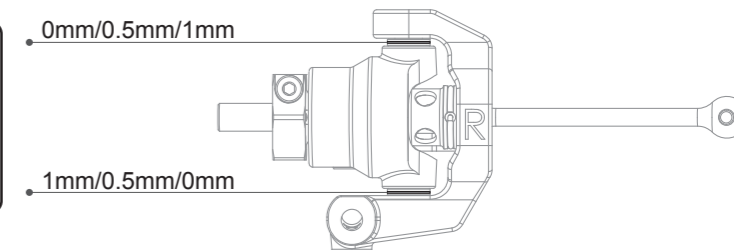
1:1 Scale

Front Steering Block R

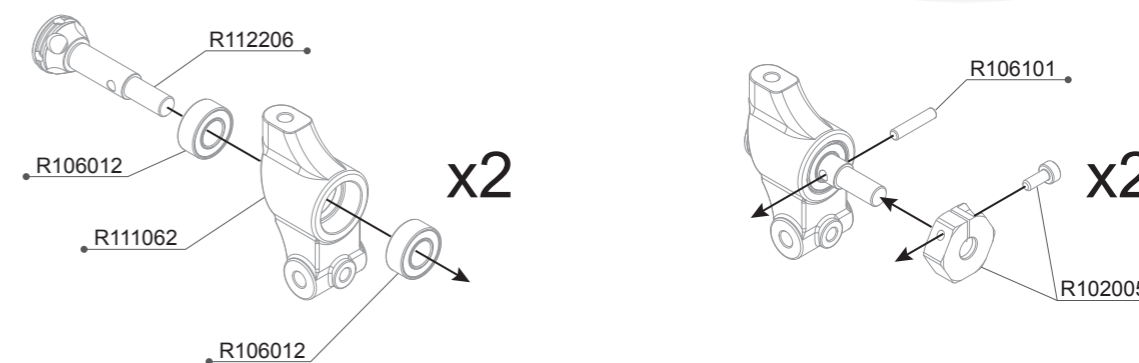


NOTICE

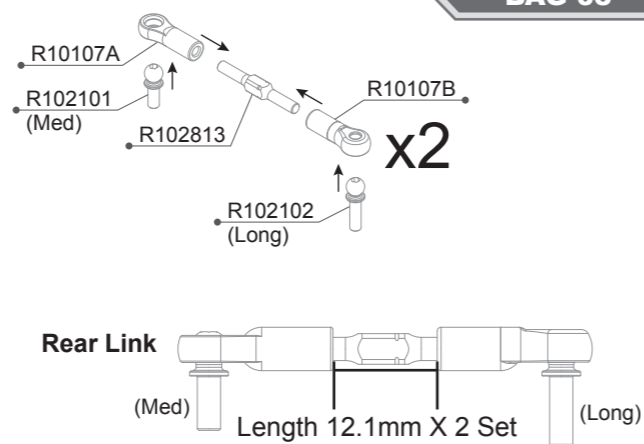
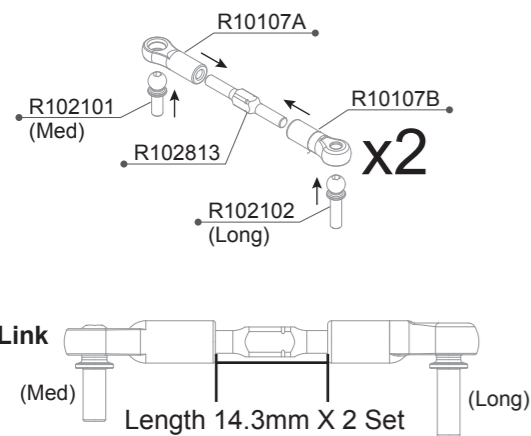
0.5mm shims are used between the steering block and C hub. Axle height can be varied by moving these shims. Generally, higher axle height will increase steering response - good for smaller/technical layouts.



Rear Upright X2

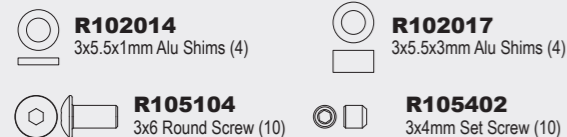


- | | |
|---|--|
| <ul style="list-style-type: none"> R101030 C Cap 3.5mm(16pcs) R101080 C-Hub 4 Right + Left R102005 Hex Wheel Hub Alu(2pcs) R102020 3x6x0.5mm Alu Shims(8pcs) R103007 Steering Block Bushing(4pcs) R105105 3x8 Round Screw (10) R106012 Low Friction Ball Bearing 5x10x4 (4pcs) | <ul style="list-style-type: none"> R106101 2x9.8mm Pin (10pcs) R111061 R11 Steering Block R111062 R11 Rear Upright R112206 R11 Wheel Axle-7075 (2) R118041 R11 Steering Plate-Std (2) R805300 2.5x8mm Cap Screw (10) |
|---|--|



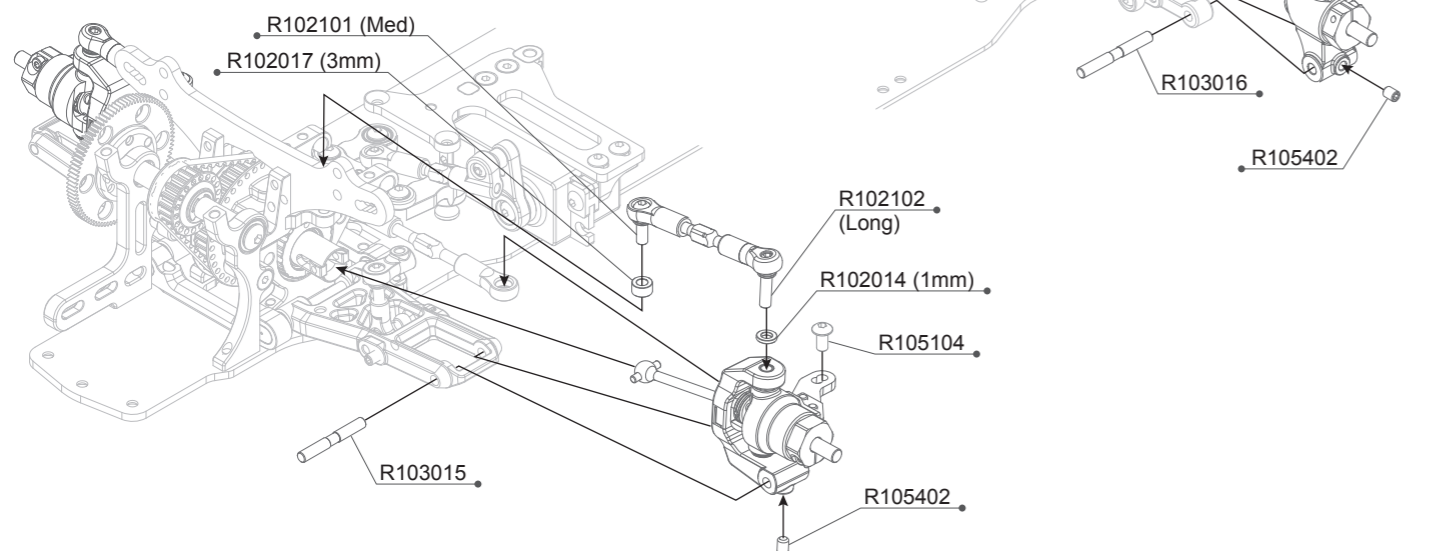
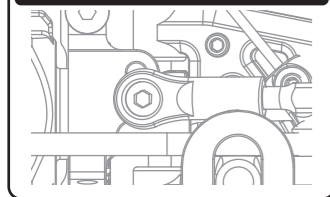
- R10107A Ball Joint 4.9mm Open (6pcs)
- R10107B Ball Joint 4.9mm Closed (4pcs)
- R102101 Alu 4.9mm Ball End Med(4pcs)

- R102102 Alu 4.9mm Ball End Long(4pcs)
- R102813 Turnbuckle 3x28mm ALU-7075 (2pcs)



1:1 Scale

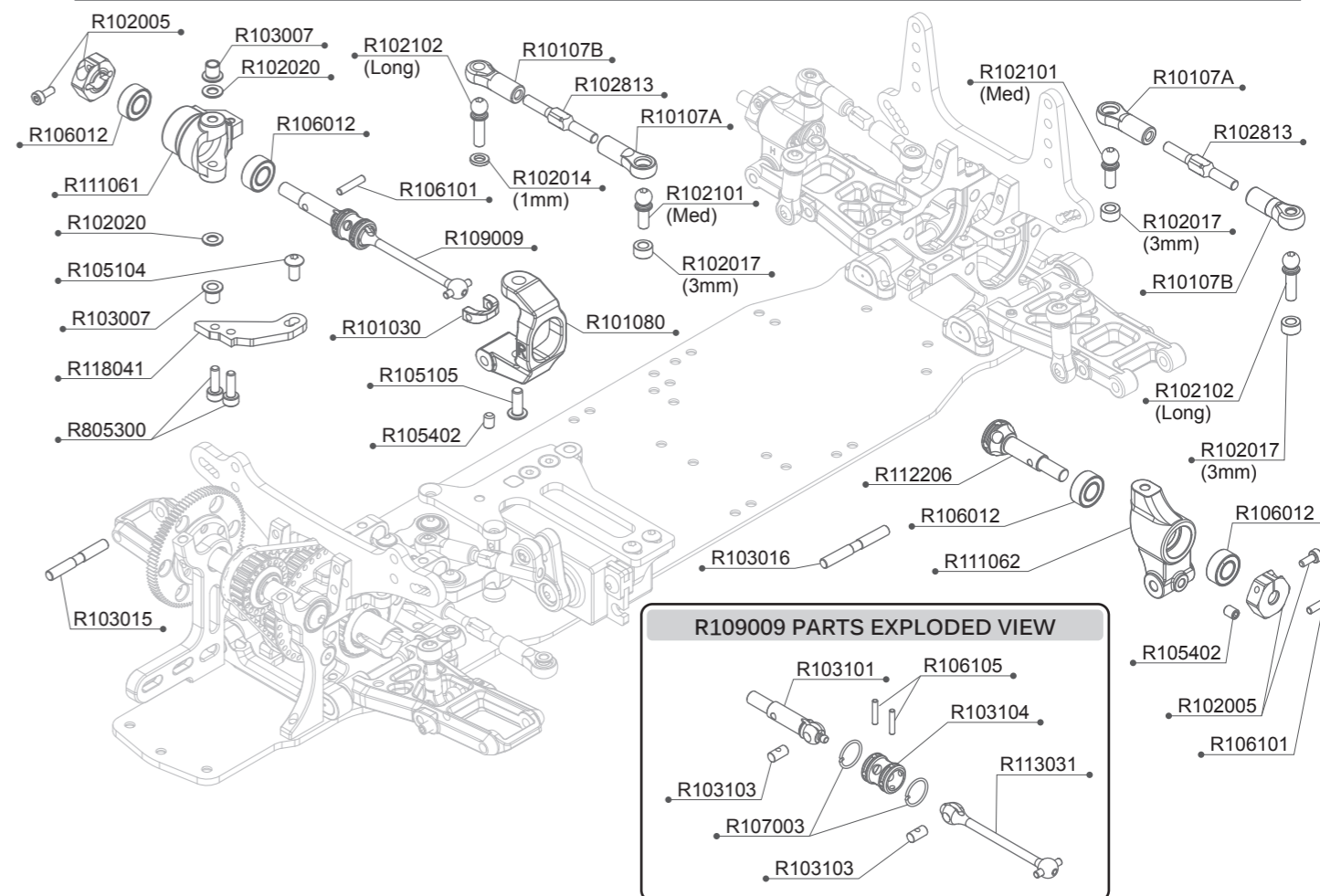
NOTICE



- R102014 3x5.5x1mm Alu Shims(8pcs)
- R102017 3X5.5X3mm Alu Shims(4pcs)
- R103015 Pivot Pin Front-Out(2pcs)

- R103016 Pivot Pin Rear-Out(2pcs)
- R105104 3x6 Round Screw (10)
- R105402 3x4mm Set Screw (10)

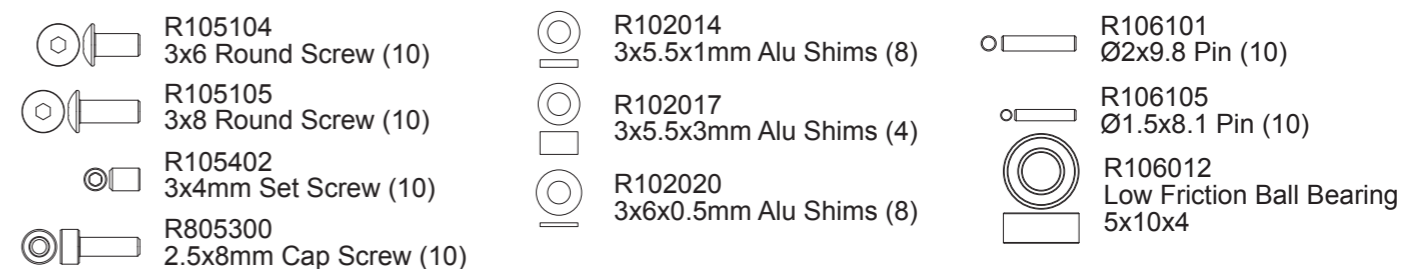
R11F BAG 03 PARTS EXPLODED VIEW



R11F BAG 03 PARTS LIST

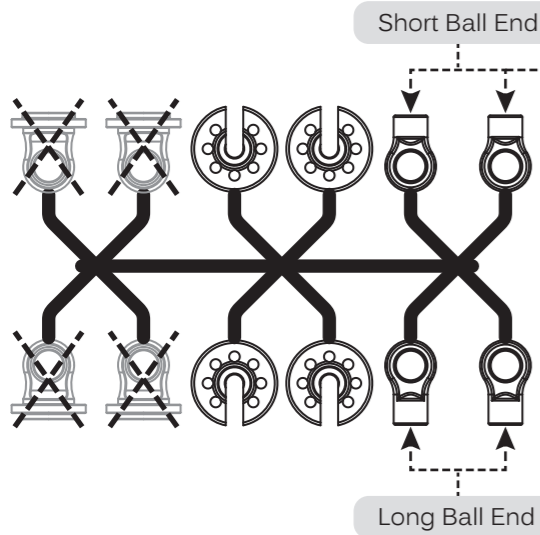
- | | |
|---|---|
| R101030 C Cap 3.5mm(16pcs) | R103103 D.J CVD Insert(2pcs) |
| R10107A Ball Joint 4.9mm Open (6pcs) | R103104 D.J CVD Joint (1pcs) |
| R10107B Ball Joint 4.9mm Closed (4pcs) | R105104 3x6 Round Screw (10) |
| R101080 C-Hub 4 Right + Left | R105105 3x8 Round Screw (10) |
| R102005 Hex Wheel Hub Alu(2pcs) | R105402 3x4mm Set Screw (10) |
| R102014 3x5.5x1mm Alu Shims(8pcs) | R106012 Low Friction Ball Bearing 5x10x4 (4pcs) |
| R102017 3X5.5X3mm Alu Shims(4pcs) | R106101 2x9.8mm Pin (10pcs) |
| R102020 3x6x0.5mm Alu Shims(8pcs) | R106105 1.5x8mm Pin (10pcs) |
| R102101 Alu 4.9mm Ball End Med(4pcs) | R107003 D.J CVD G-Clip(8pcs) |
| R102102 Alu 4.9mm Ball End Long(4pcs) | R111061 R11 Steering Block |
| R102813 Turnbuckle 3x28mm ALU-7075 (2pcs) | R111062 R11 Rear Upright |
| R103007 Steering Block Bushing(4pcs) | R112206 R11 Wheel Axle-7075 (2) |
| R103015 Pivot Pin Front-Out(2pcs) | R113031 D.J CVD Shaft +1 (40mm) 2pcs |
| R103016 Pivot Pin Rear-Out(2pcs) | R118041 R11 Steering Plate-Std (2) |
| R103101 D.J CVD Wheel Shaft (1pcs) | R805300 2.5x8mm Cap Screw (10) |

1:1 SCALE

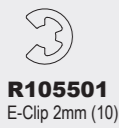
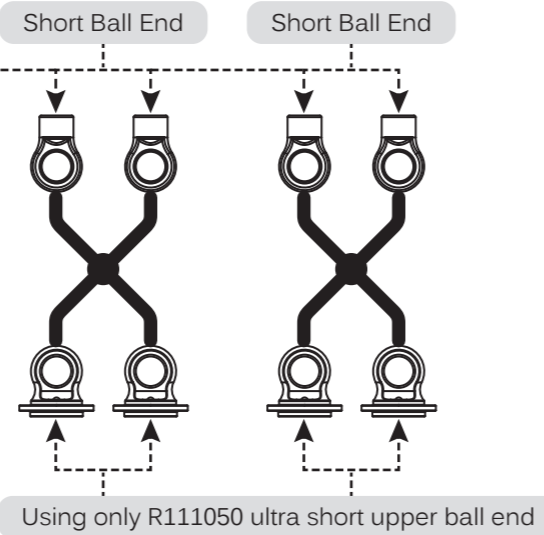


NOTICE

R101130 Shock Ball Joint Set Big Bore

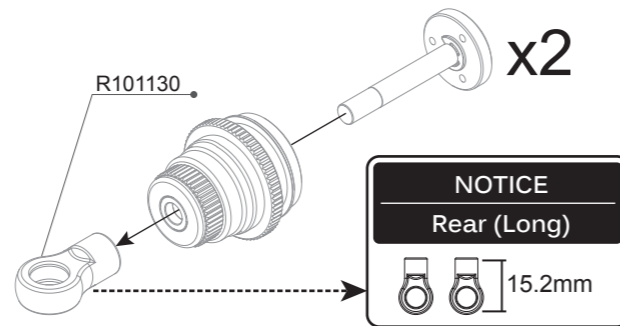
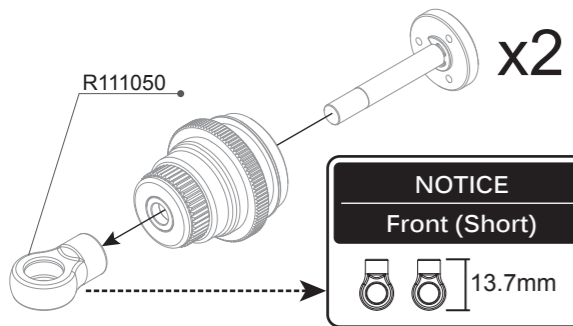
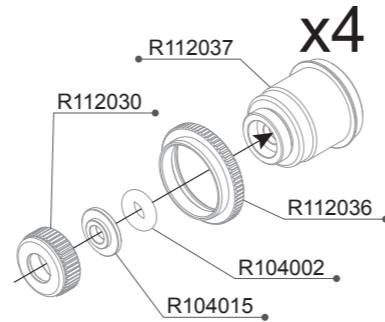
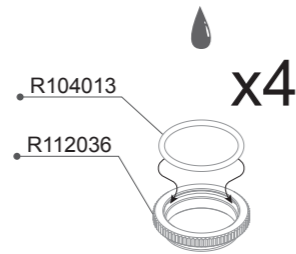
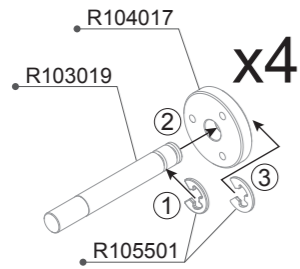


R111050 Shock Ball End Set-Ultra Short (2)



1:1 Scale

Apply shock oil before assembly

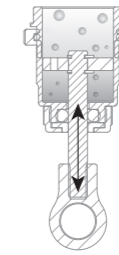
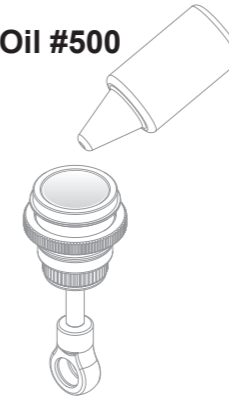


- R101130 Shock Ball Joint Set Big Bore
- R103019 Shock Shaft Short (2pcs)
- R104002 O'ring 3x2(4pcs)
- R104013 O'ring 13x1 (2pcs)
- R104015 Shock Shaft Shim (4pcs)
- R104017 Shock Piston Big Bore 1.1mm x3 (4pcs)

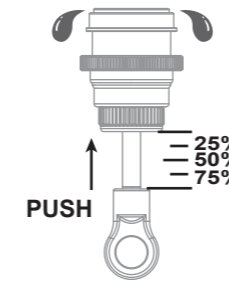
- R105501 E-Clip 2mm (10pcs)
- R111050 Shock Ball End Set-Ultra Short (2)
- R112030 R11 Shock Low Cap-Black (2)
- R112036 Shock Adj Nut-Ultra Short (2)
- R112037 Shock Body Ultra Short-MC (2)

Silicone Oil #500

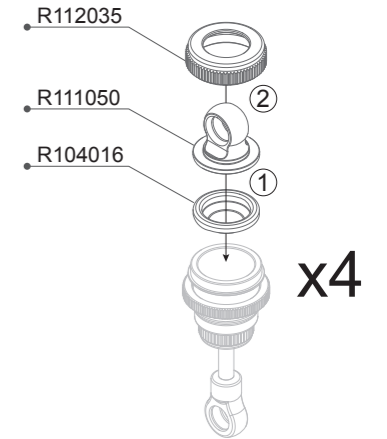
Fill the shock oil to the top of the shock body



Move the shaft up and down to let the air escape from the oil



To adjust the rebound amount of the shock, push the shock shaft in to the required level to remove excess oil during assembly.



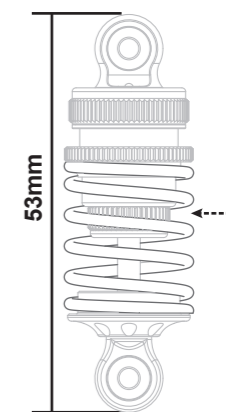
- R104016 Shock Membrane Big Bore (4pcs)
- R111050 Shock Ball End Set-Ultra Short

- R112035 Shock Cap-Ultra Short (2)

NOTICE

FRONT (Short)
Set to 53mm

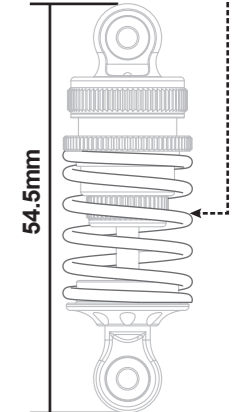
R107042 (Yellow)



Short

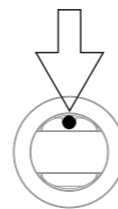
REAR (Long)
Set to 54.5mm

R107042 (Yellow)

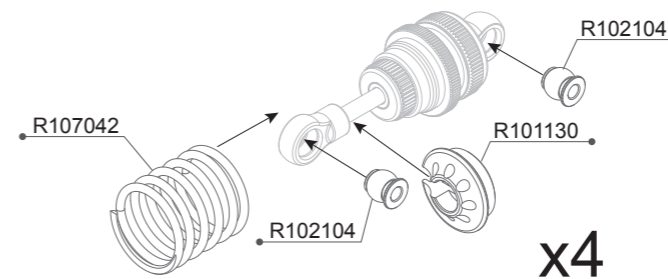


Long

Build shocks to the following lengths.



Drill the shock cap here to help provide zero rebound and softer dampening (optional setting)

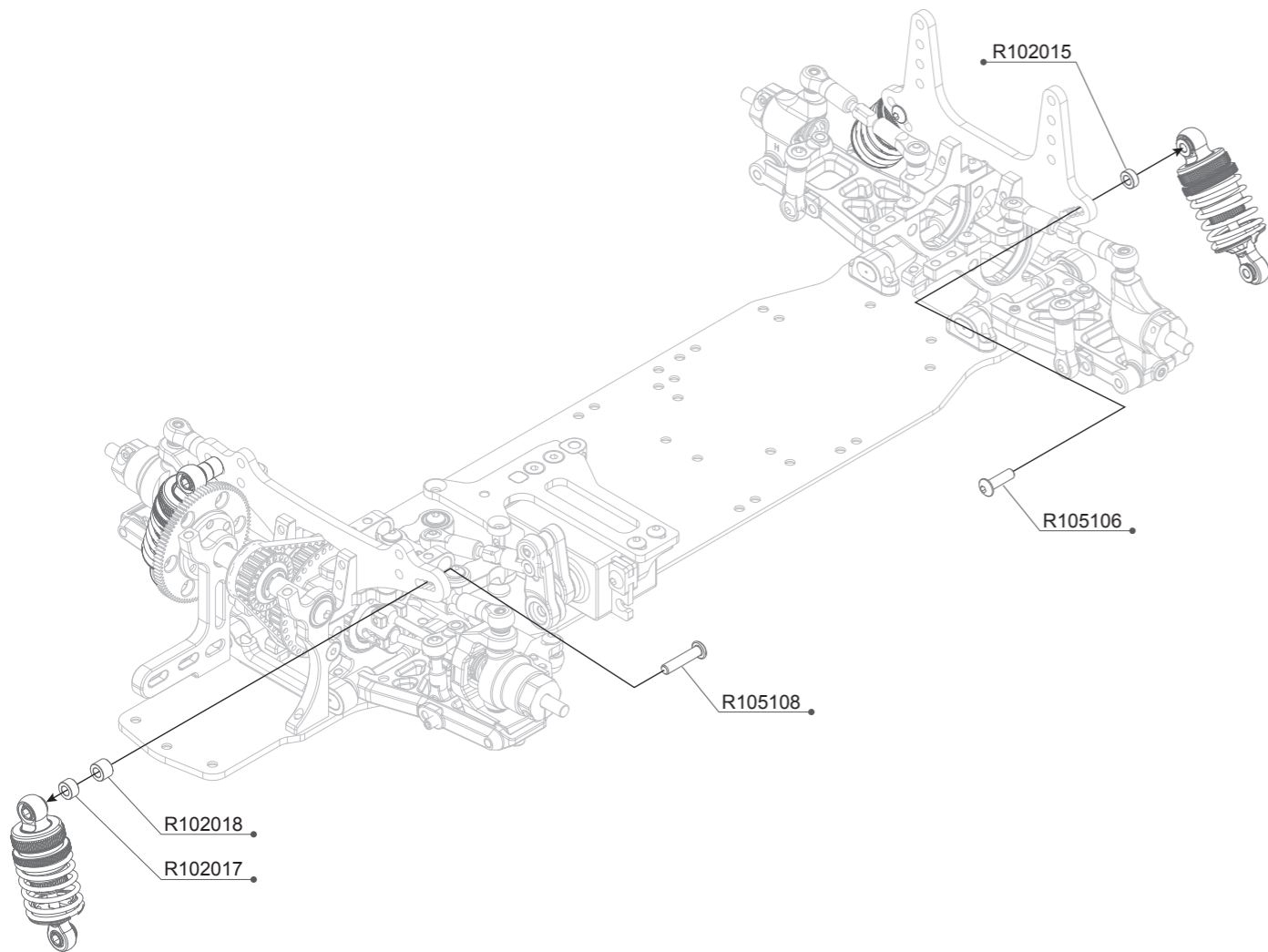


- R101130 Shock Ball Joint Set Big Bore
- R102104 5.8mm Ball end Short type Alu (4pcs)

- R107042 Shock Spring 0.30g Yellow (Short) (2pcs)

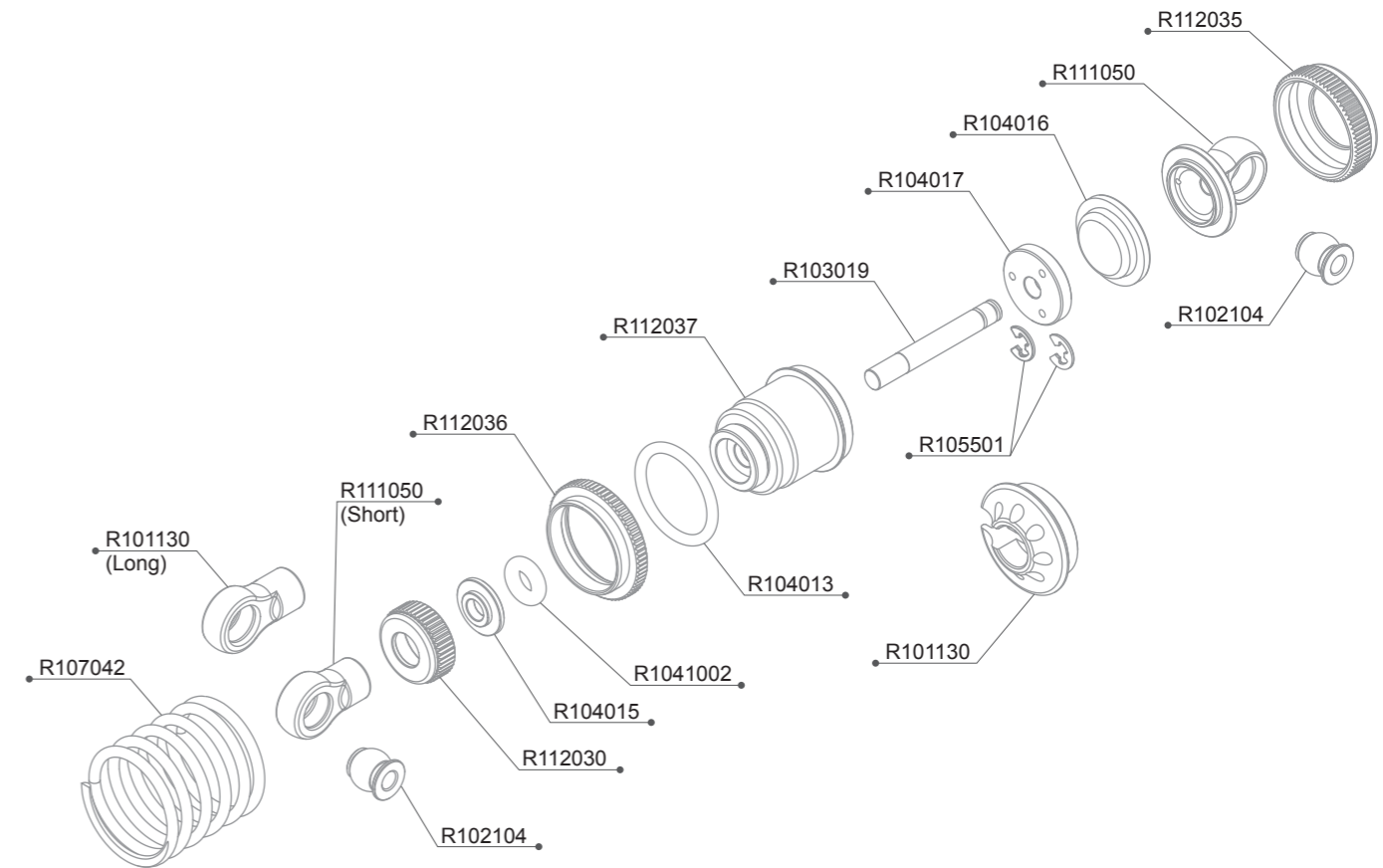
-  **R102015** 3x5.5x2mm Alu Shims (8)
-  **R102017** 3x5.5x3mm Alu Shims (4)
-  **R102018** 3x5.5x4mm Alu Shims (4)
-  **R105106** 3x10 Round Screw (10)
-  **R105108** 3x14 Round Screw (10)

1:1 Scale



- R102015 3x5.5x2mm Alu Shims(8pcs)
- R102017 3x5.5x3mm Alu Shims(4pcs)
- R102018 3x5.5x4mm Alu Shims(4pcs)

- R105106 3x10 Round Screw (10)
- R105108 3x14 Round Screw (10)



R11F BAG 04 PARTS LIST

- | | | | |
|---------|---------------------------------------|---------|--|
| R101130 | Shock Ball Joint Set Big Bore | R105501 | E-Clip 2mm (10pcs) |
| R102104 | 5.8mm Ball end Short type Alu (4pcs) | R107042 | Shock Spring 0.30g Yellow (Short) (2pcs) |
| R103019 | Shock Shaft Short (2pcs) | R111050 | Shock Ball End Set-Ultra Short (2) |
| R104002 | O'ring 3x2(4pcs) | R112030 | R11 Shock Low Cap-Black (2) |
| R104013 | O'ring 13x1 (2pcs) | R112035 | Shock Cap-Ultra Short (2) |
| R104015 | Shock Shaft Shim (4pcs) | R112036 | Shock Adj Nut-Ultra Short (2) |
| R104016 | Shock Membrane Big Bore (4pcs) | R112037 | Shock Body Ultra Short-MC (2) |
| R104017 | Shock Piston Big Bore 1.1mm x3 (4pcs) | | |

1:1 SCALE

-  R105501 E-Clip 2mm (10)

FRONT

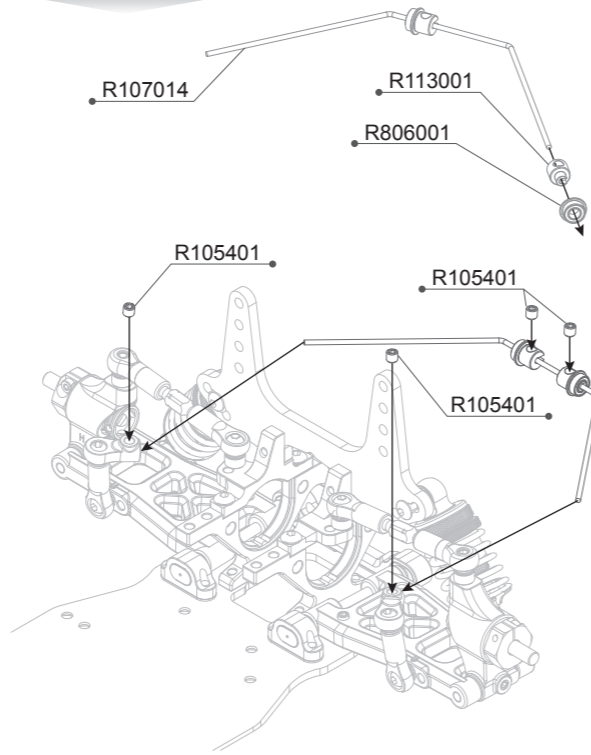
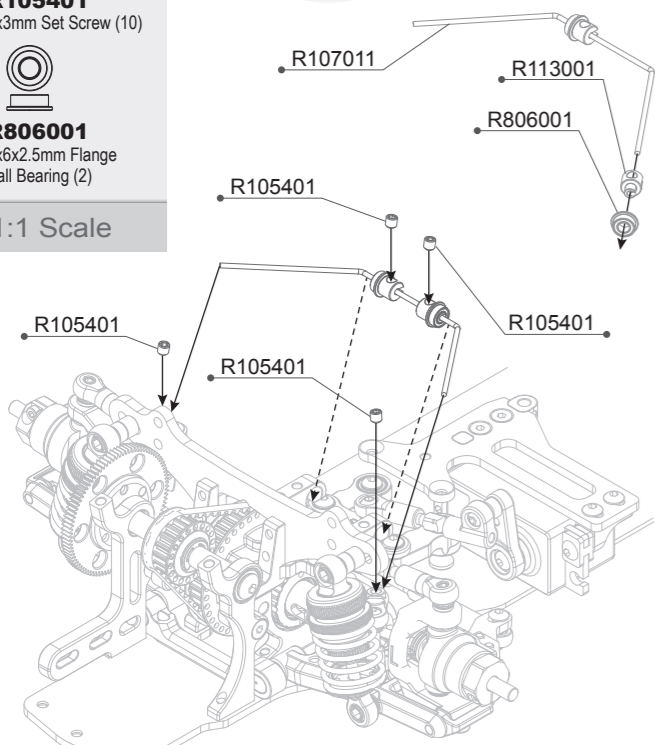
REAR

BAG 05

R105401
3x3mm Set Screw (10)

R806001
3x6x2.5mm Flange
Ball Bearing (2)

1:1 Scale



R105401 3x3mm Set Screw (10)
R107011 Front Anti-Roll Bar 1.3mm
R107014 Rear Anti-Roll Bar 1.3mm

R113001 Anti-Roll Bar Holder (2)
R806001 3x6x2.5 Flange Ball Bearing (2)

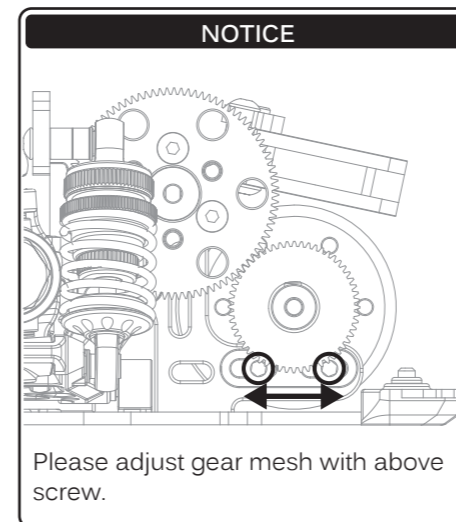
R105300
3x6mm Cap Screw (10)

R105205
3x10mm Flat Screw (10)

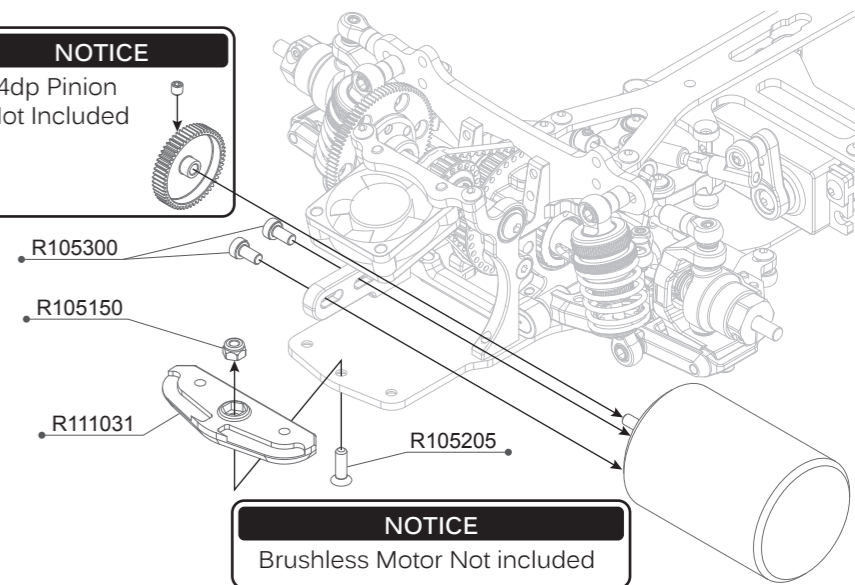
R105150
3mm Nylon Nut (10)

BAG 05

1:1 Scale



NOTICE
64dp Pinion
Not Included



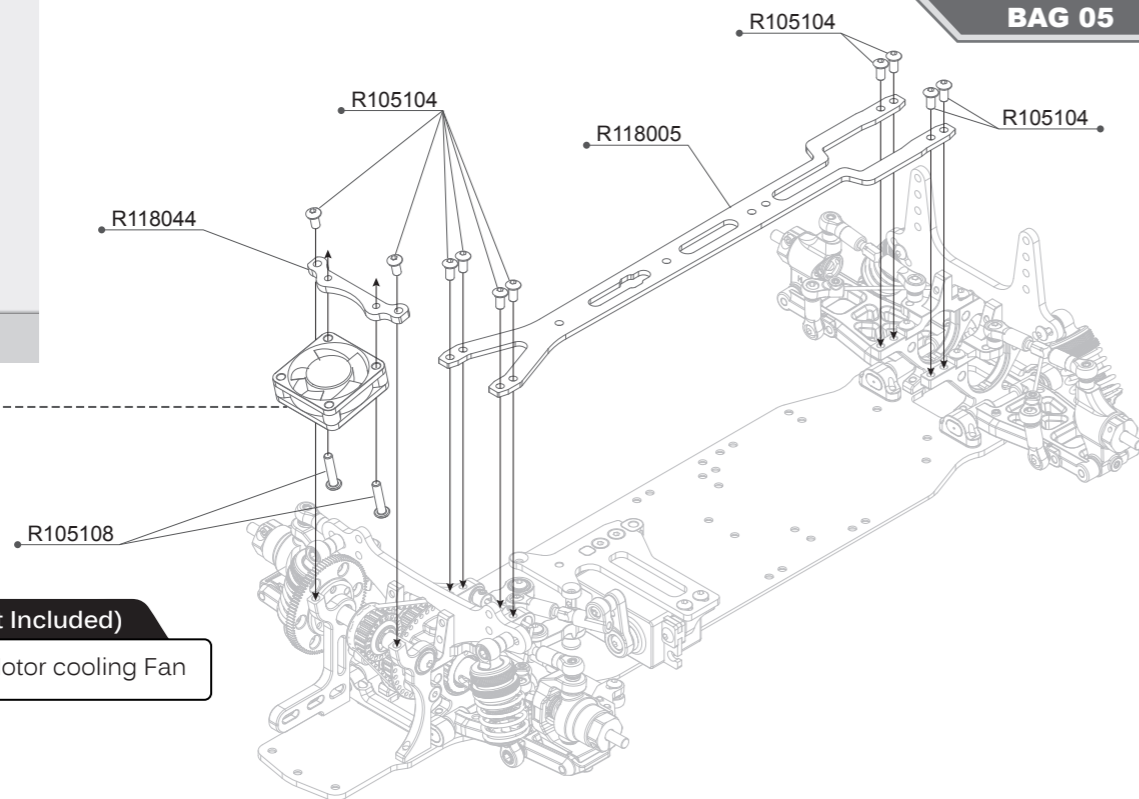
R105150 3mm Nylon Nut (10)
R105205 3x10mm Flat Screw (10)

R105300 3x6mm Cap Screw (10)
R111031 R11F Bumper

R105104
3x6 Round Screw (10)

R105108
3x14 Round Screw (10)

1:1 Scale



Option Parts (Not Included)
TiTAN 21002 H.V Motor cooling Fan

R105104 3x6 Round Screw (10)
R105108 3x14 Round Screw (10)

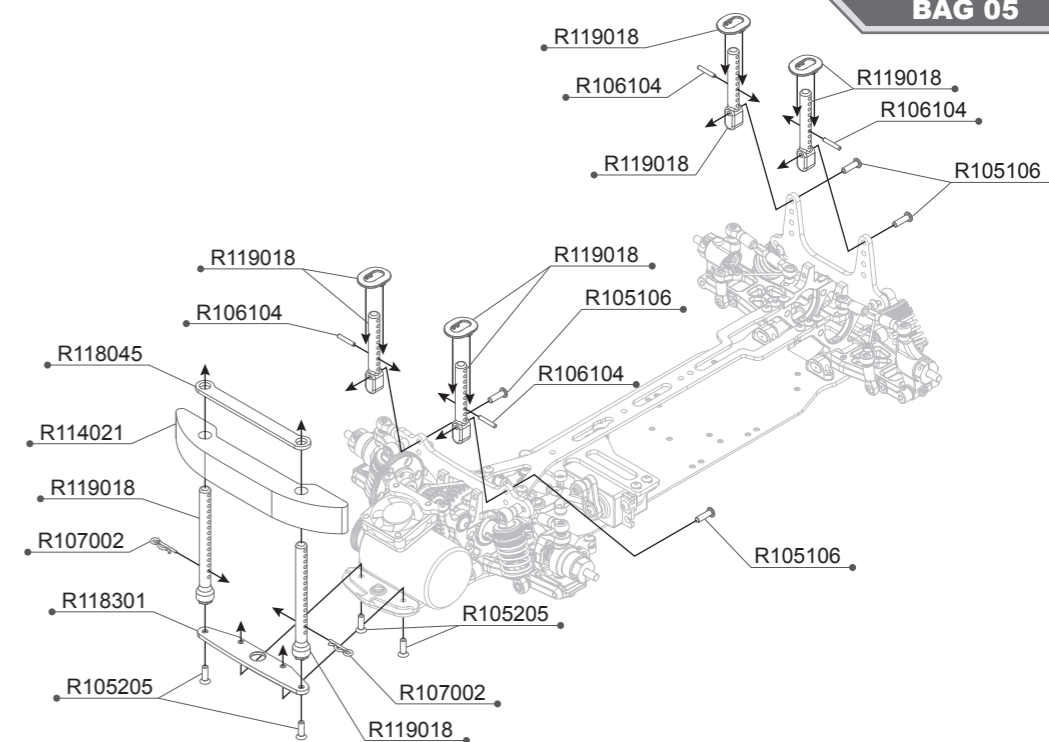
R118005 R11 2018 Upper Deck 2.0mm
R118044 R11F Fan Mount Plate

R105106
3x10 Round Screw (10)

R105205
3x10mm Flat Screw (10)

R106104
Ø2x11.8 Pin (10)

1:1 Scale



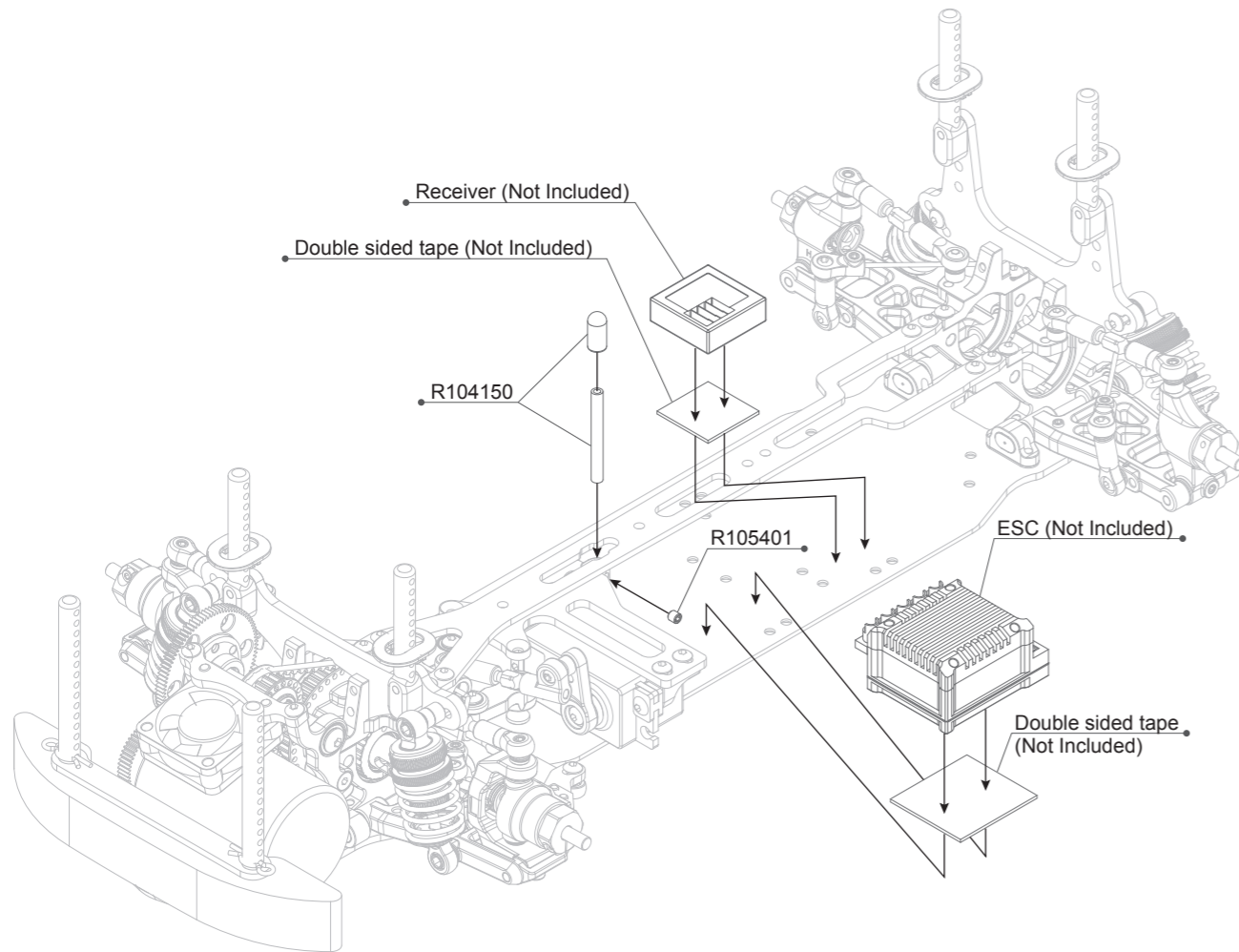
R105106 3x10 Round Screw (10)
R105205 3x10mm Flat Screw (10)
R106104 2x11.8mm Pin (10pcs)
R107002 R-Clip(8pcs)

R114021 R11F Foam Bumper
R118045 R11F Front Body Tower Plate
R118301 R11F Front Bumper Plate
R119018 R11 Body Mount Set

SIDE LIPO ALIGNMENT ESC/RECEIVER LAYOUT

R105401
3x3mm Set Screw (10)

1:1 Scale



R104150 Antenna (1set)

R105401 3x3mm Set Screw (10)

STANDARD LIPO BATTERY SETUP

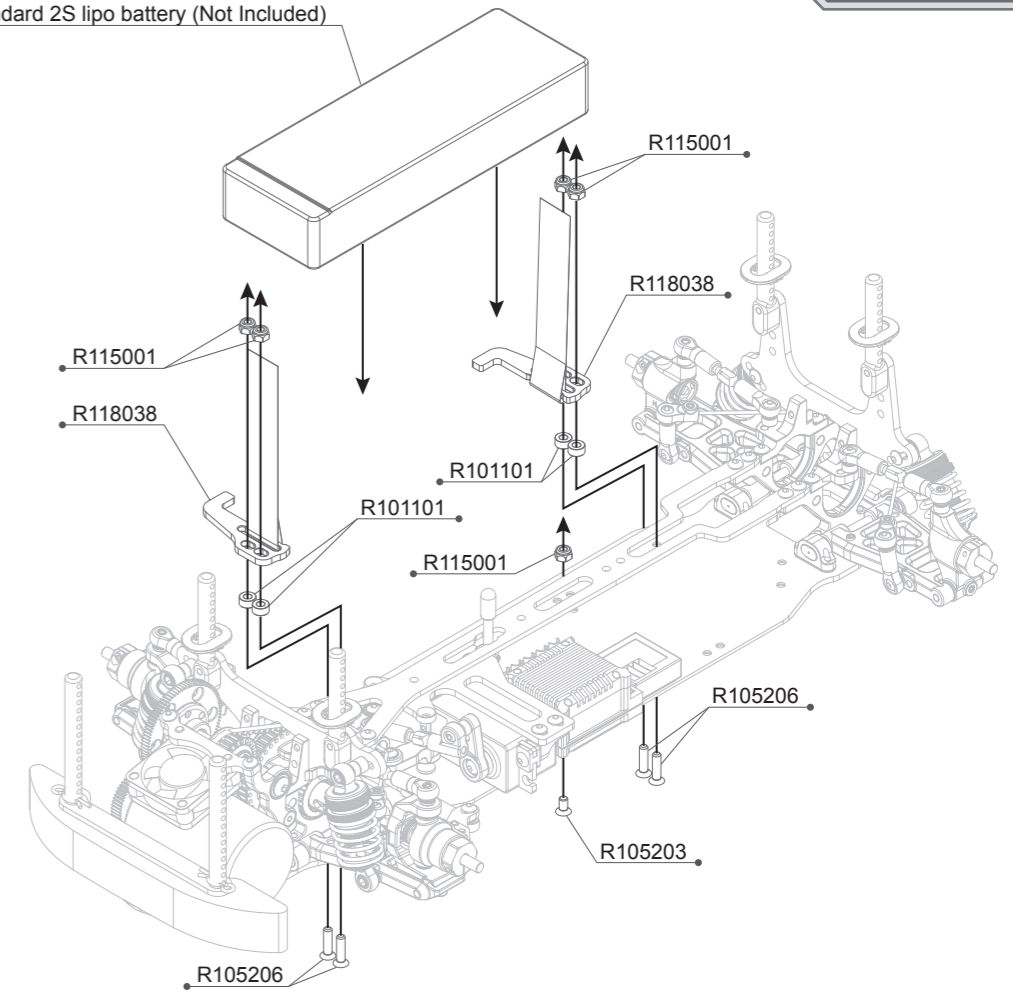
R105203
3x6mm Flat Screw (10)

R105206
3x12mm Flat Screw (10)

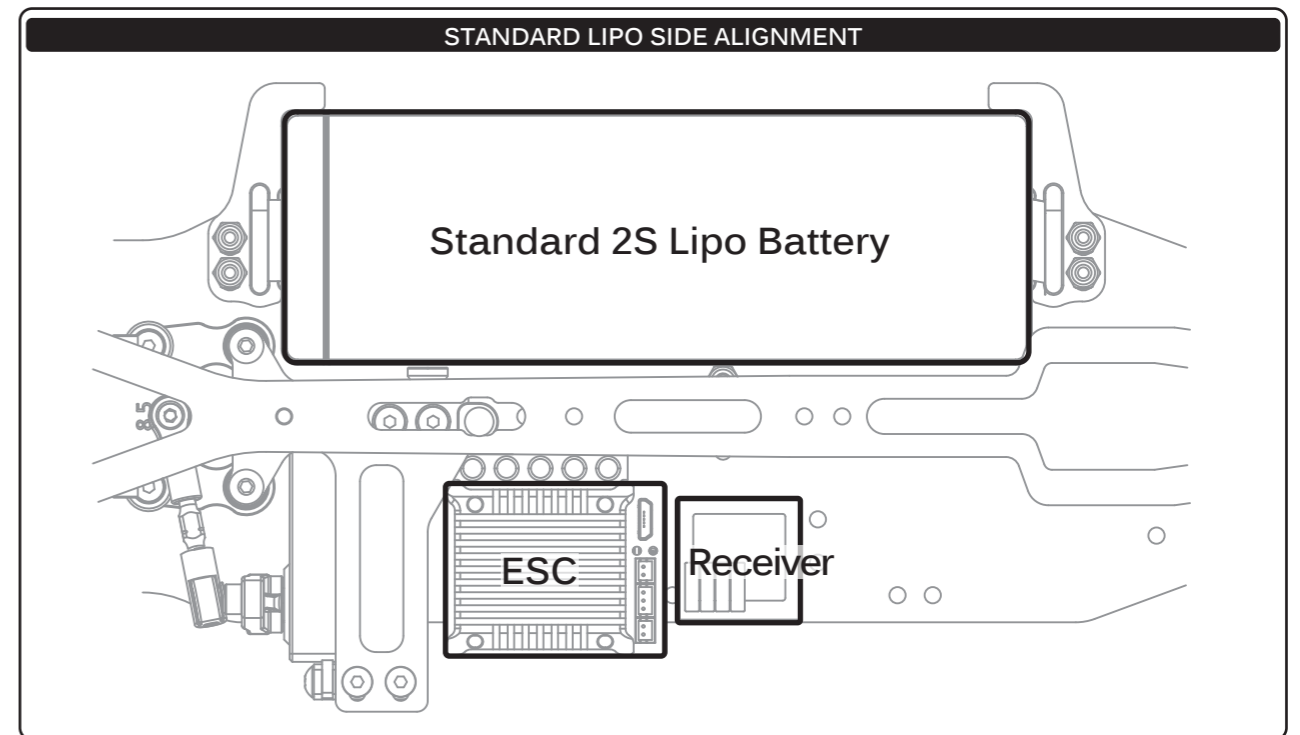
R115001
3mm Nylon Nut-Black Alu (4)

1:1 Scale

Standard 2S lipo battery (Not Included)



STANDARD LIPO SIDE ALIGNMENT

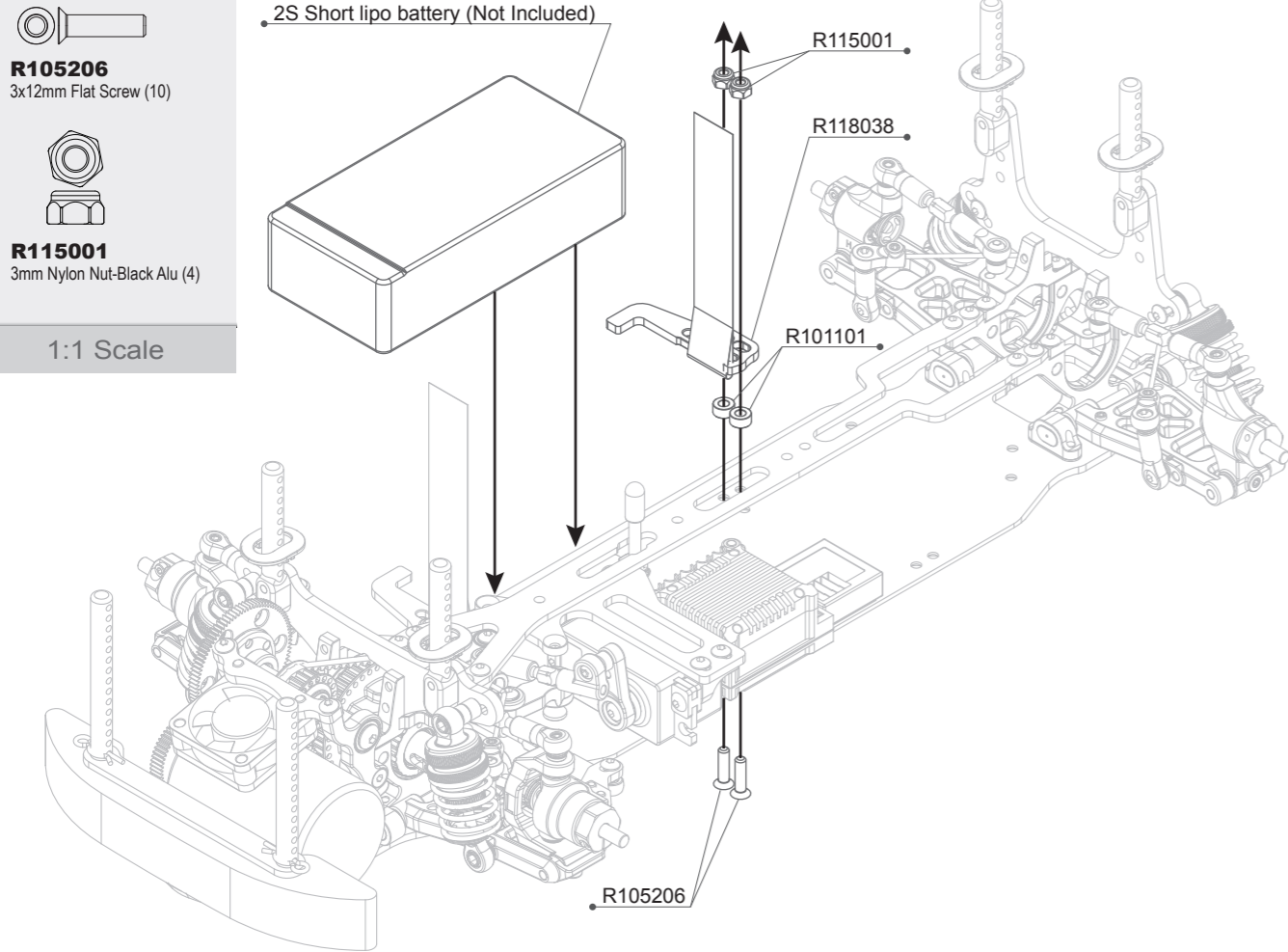


STANDARD LIPO BATTERY SETUP

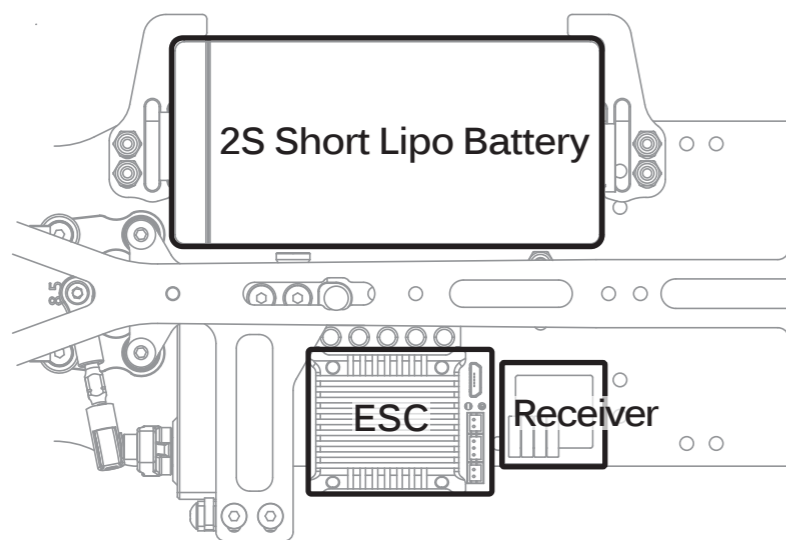
R101101 Low Arm F/R Set (Hard)
R105203 3x6mm Flat Screw (10)
R105206 3x12mm Flat Screw (10)

R115001 3mm Nylon Nut-Black Alu (4)
R118038 R11 2019 Battery Guides-Carbon (2)

SHORT LIPO BATTERY SIDE ALIGNMENT



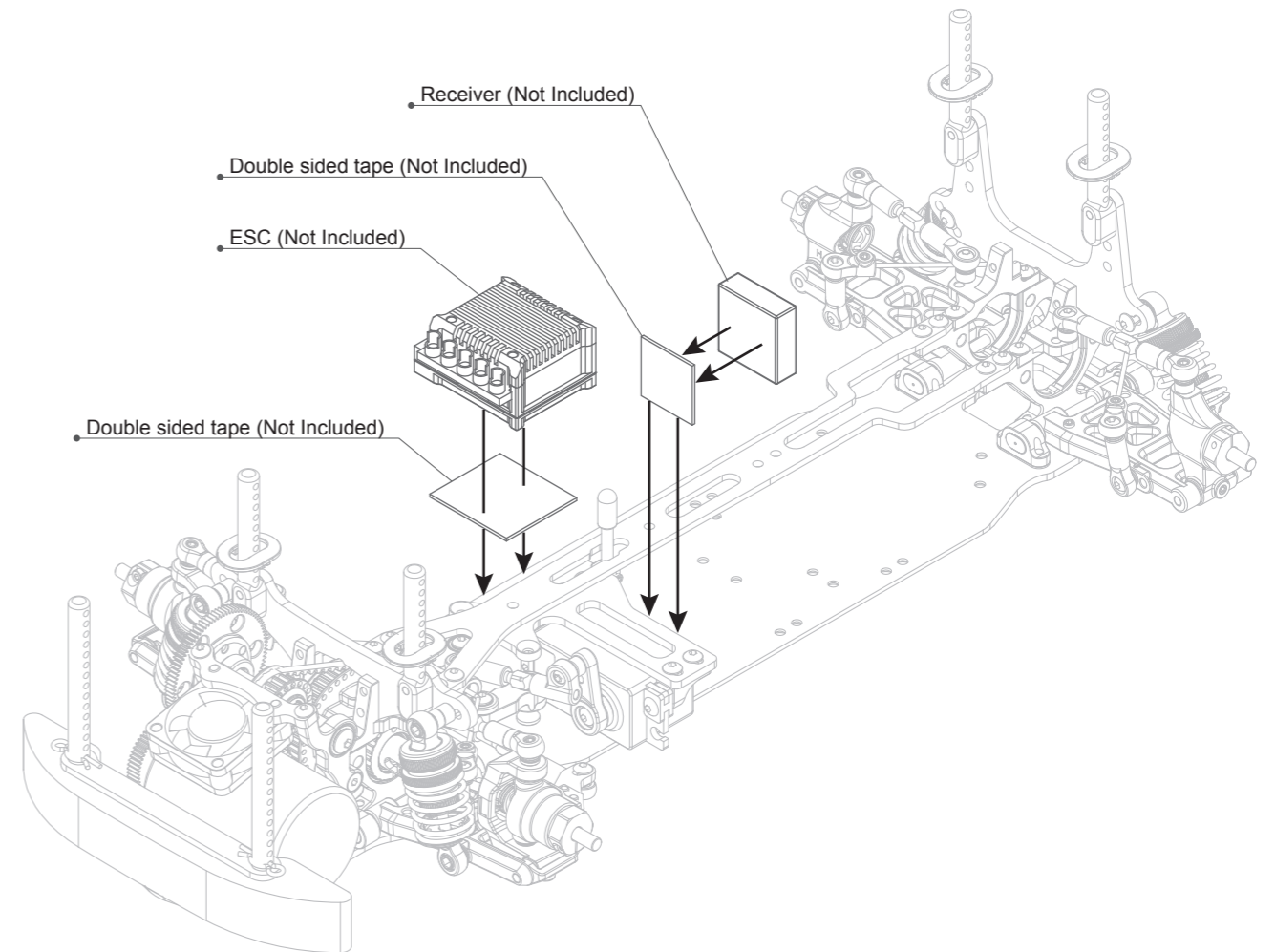
SHORT LIPO BATTERY SIDE ALIGNMENT



R101101 Low Arm F/R Set (Hard)
R105206 3x12mm Flat Screw (10)

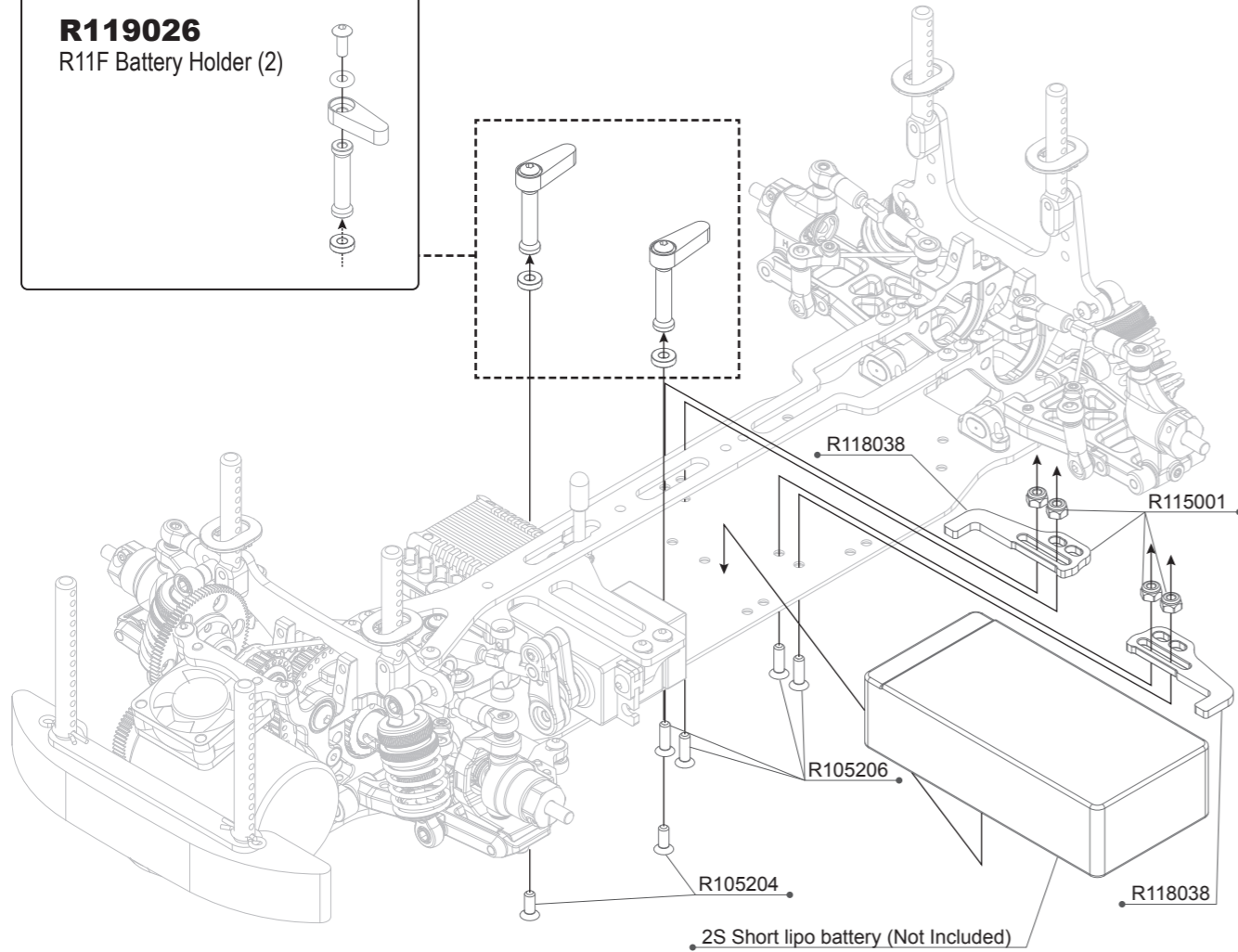
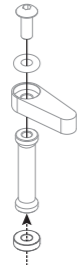
R115001 3mm Nylon Nut-Black Alu (4)
R118038 R11 2019 Battery Guides-Carbon (2)

SHORT LIPO BATTERY ALIGNMENT ESC/RECEIVER LAYOUT

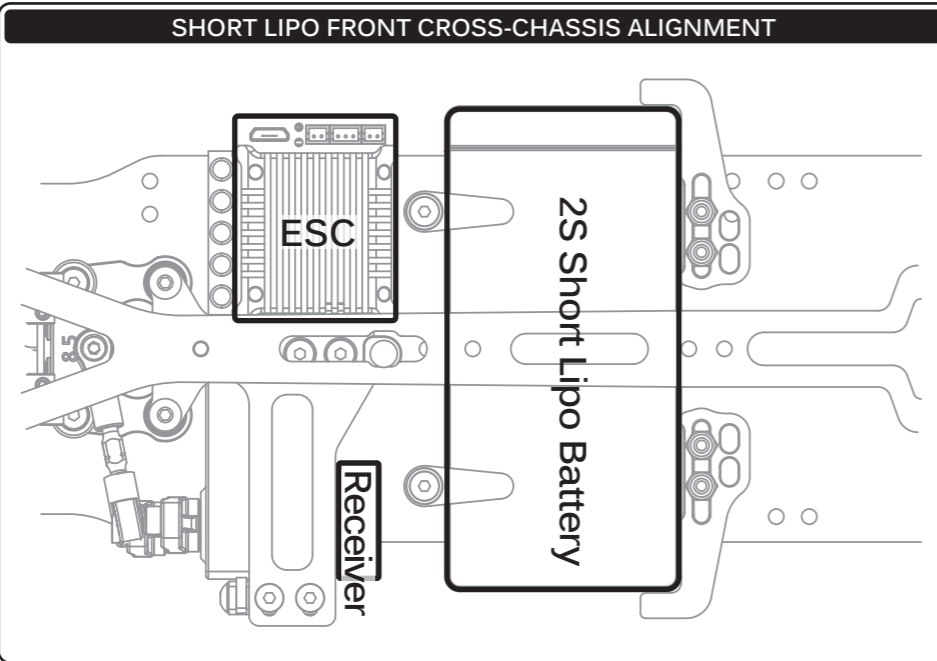


Option Parts (Not Included)

R119026
R11F Battery Holder (2)



SHORT LIPO FRONT CROSS-CHASSIS ALIGNMENT



1:1 Scale

- R105105**
3x8 Round Screw (10)
- R105204**
3x8mm Flat Screw (10)
- R105206**
3x12mm Flat Screw (10)
- R115001**
3mm Nylon Nut-Black Alu (4)

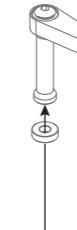
- R105204 3x8mm Flat Screw (10)
- R105206 3x12mm Flat Screw (10)
- R115001 3mm Nylon Nut-Black Alu (4)

- R118038 R11 2019 Battery Guides-Carbon (2)
- R119026 R11F Battery Holder (2)

SHORT LIPO CENTER ALIGNMENT

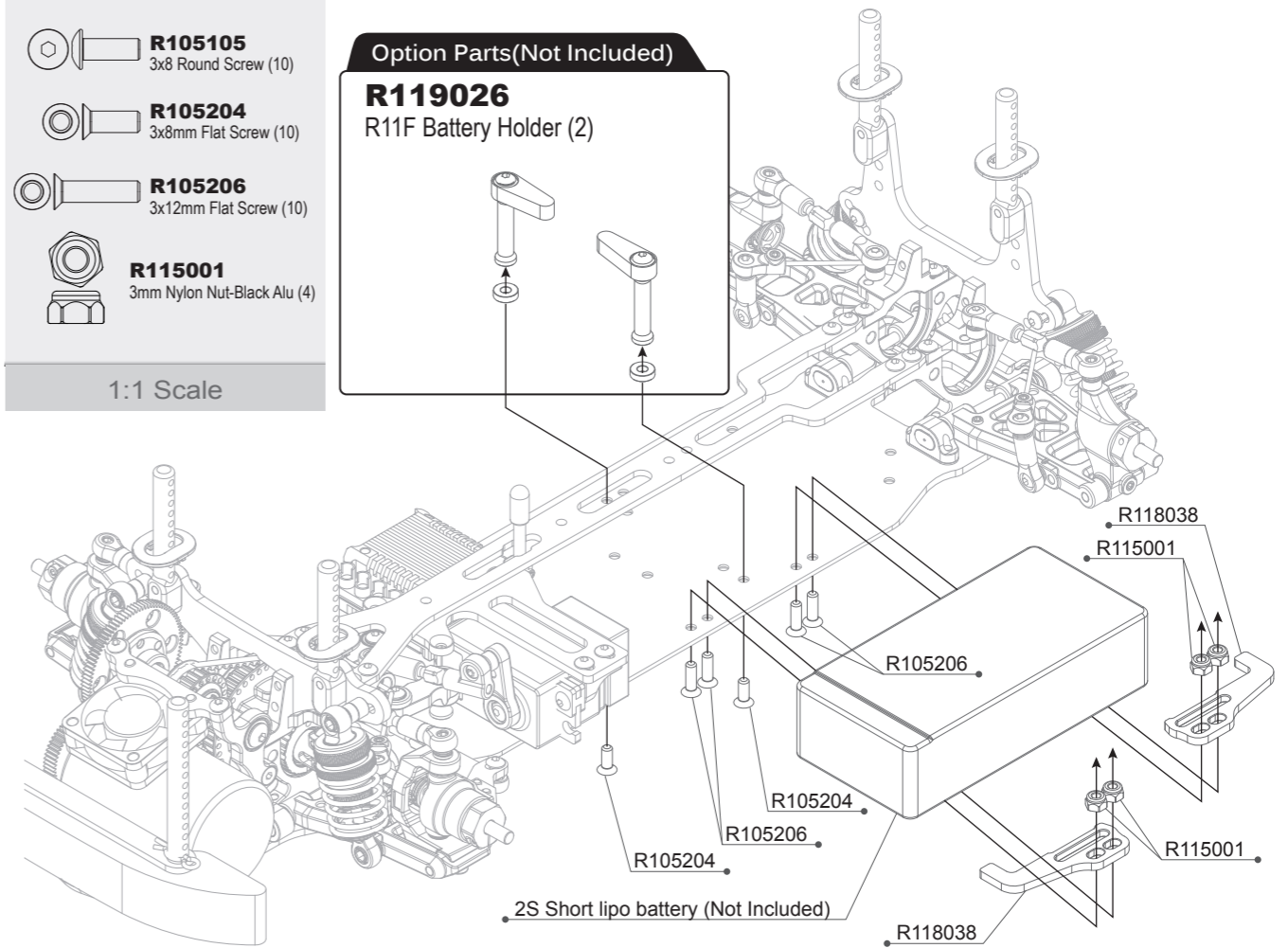
Option Parts(Not Included)

R119026
R11F Battery Holder (2)

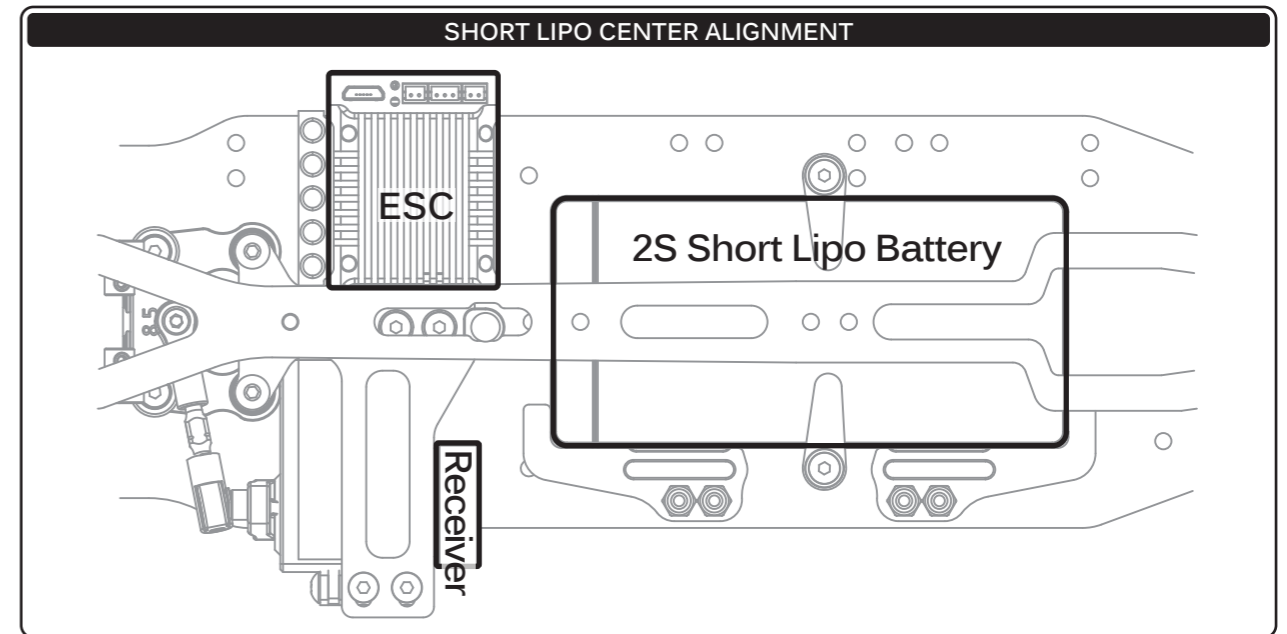


- R105105**
3x8 Round Screw (10)
- R105204**
3x8mm Flat Screw (10)
- R105206**
3x12mm Flat Screw (10)
- R115001**
3mm Nylon Nut-Black Alu (4)

1:1 Scale



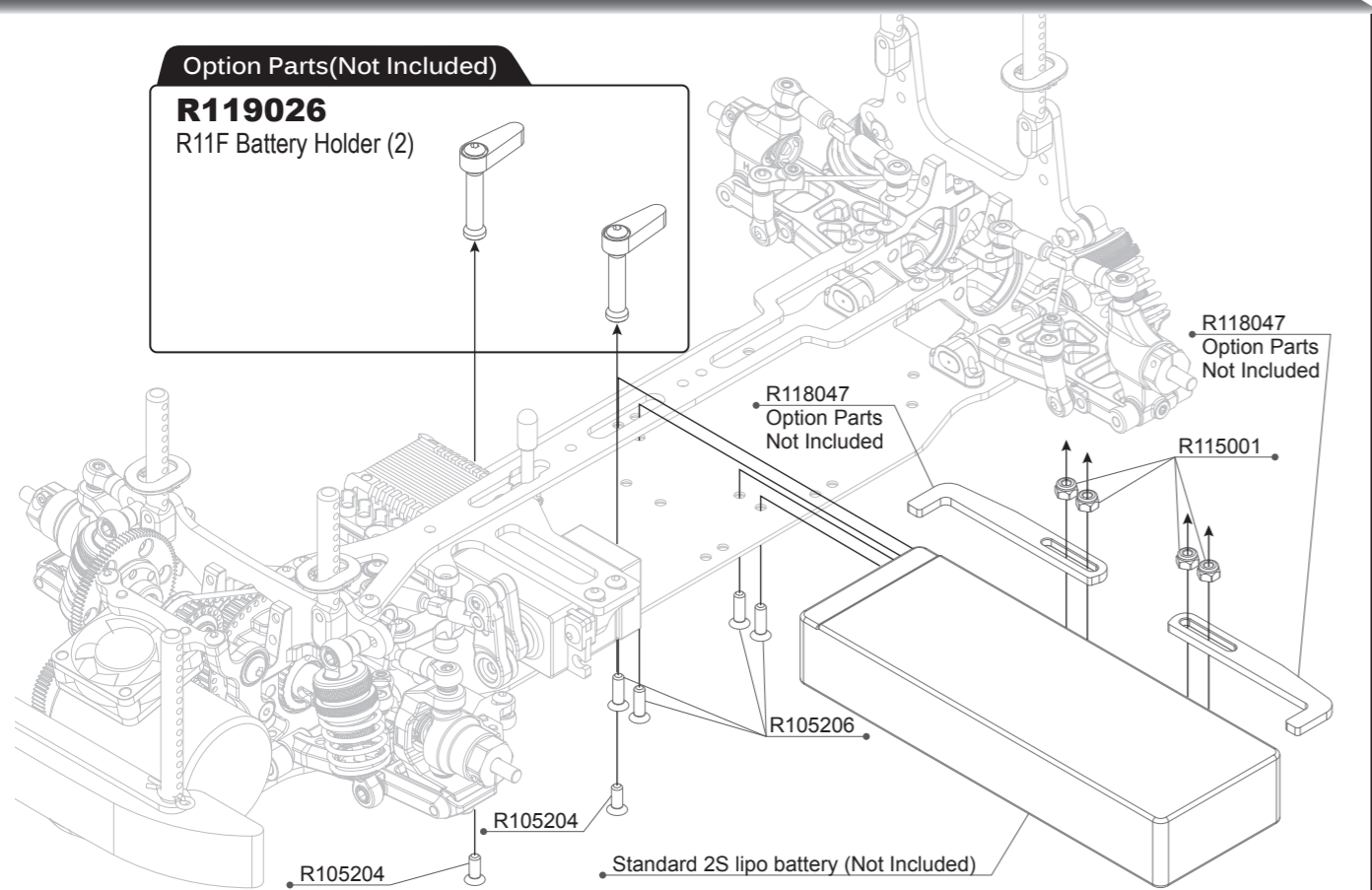
SHORT LIPO CENTER ALIGNMENT



- R105204 3x8mm Flat Screw (10)
- R105206 3x12mm Flat Screw (10)
- R115001 3mm Nylon Nut-Black Alu (4)

- R118038 R11 2019 Battery Guides-Carbon (2)
- R119026 R11F Battery Holder (2)

STANDARD LIPO CROSS-CHASSIS ALIGNMENT



Option Parts(Not Included)

R119026
R11F Battery Holder (2)

R118047
Option Parts
Not Included

R118047
Option Parts
Not Included

R115001

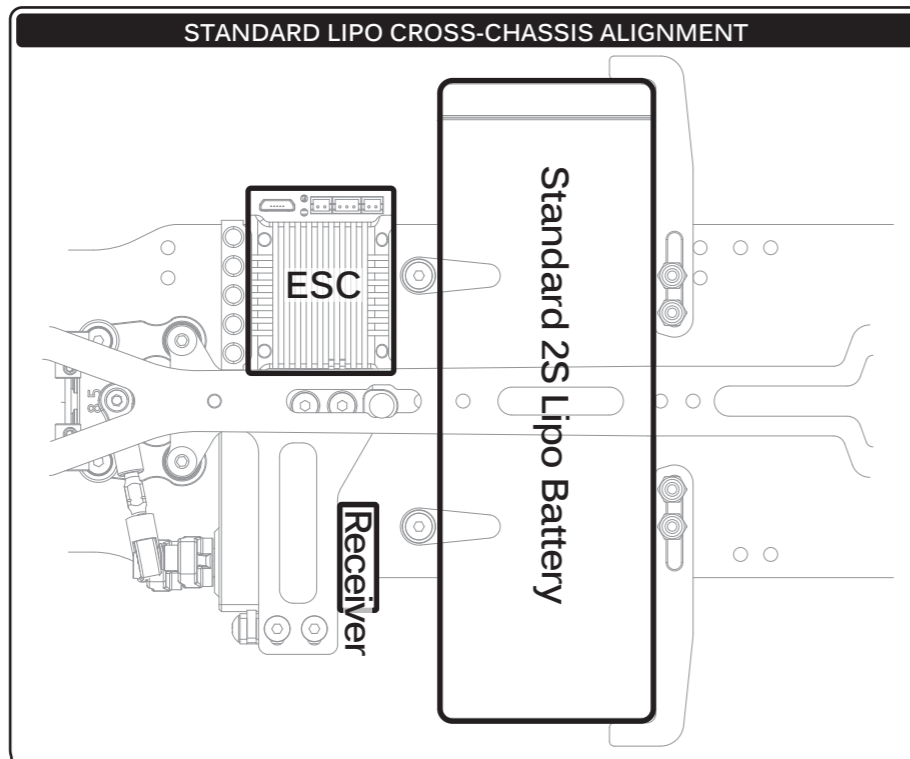
R105206

R105204

R105204

Standard 2S lipo battery (Not Included)

STANDARD LIPO CROSS-CHASSIS ALIGNMENT



1:1 Scale



R105204
3x8mm Flat Screw (10)



R105206
3x12mm Flat Screw (10)



R115001
3mm Nylon Nut-Black Alu (4)

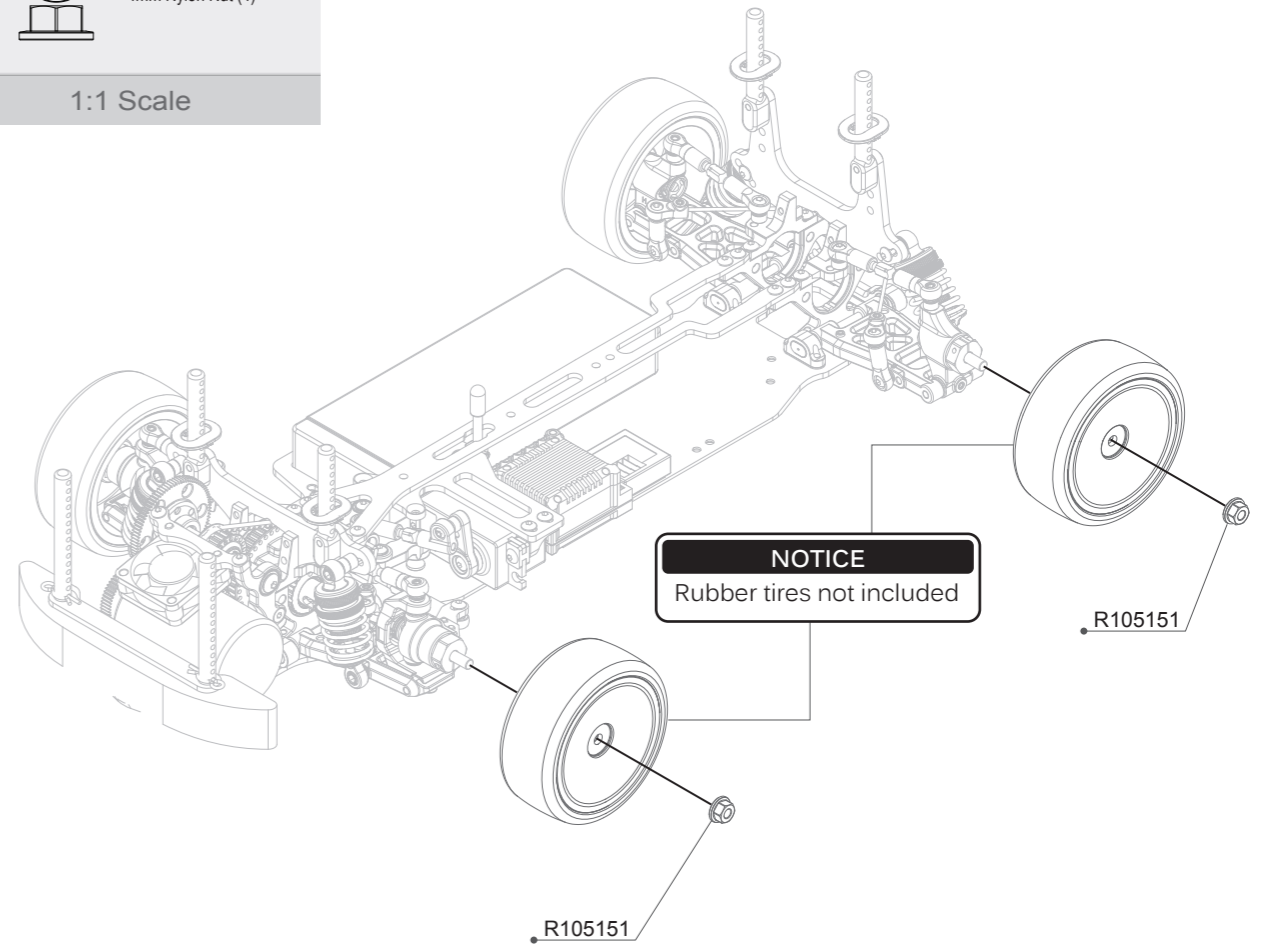
- R105204 3x8mm Flat Screw (10)
- R105206 3x12mm Flat Screw (10)
- R115001 3mm Nylon Nut-Black Alu (4)

- R118047 R11 Battery Clip Long (2)
- R119026 R11F Battery Holder (2)



R105151
4mm Nylon Nut (4)

1:1 Scale



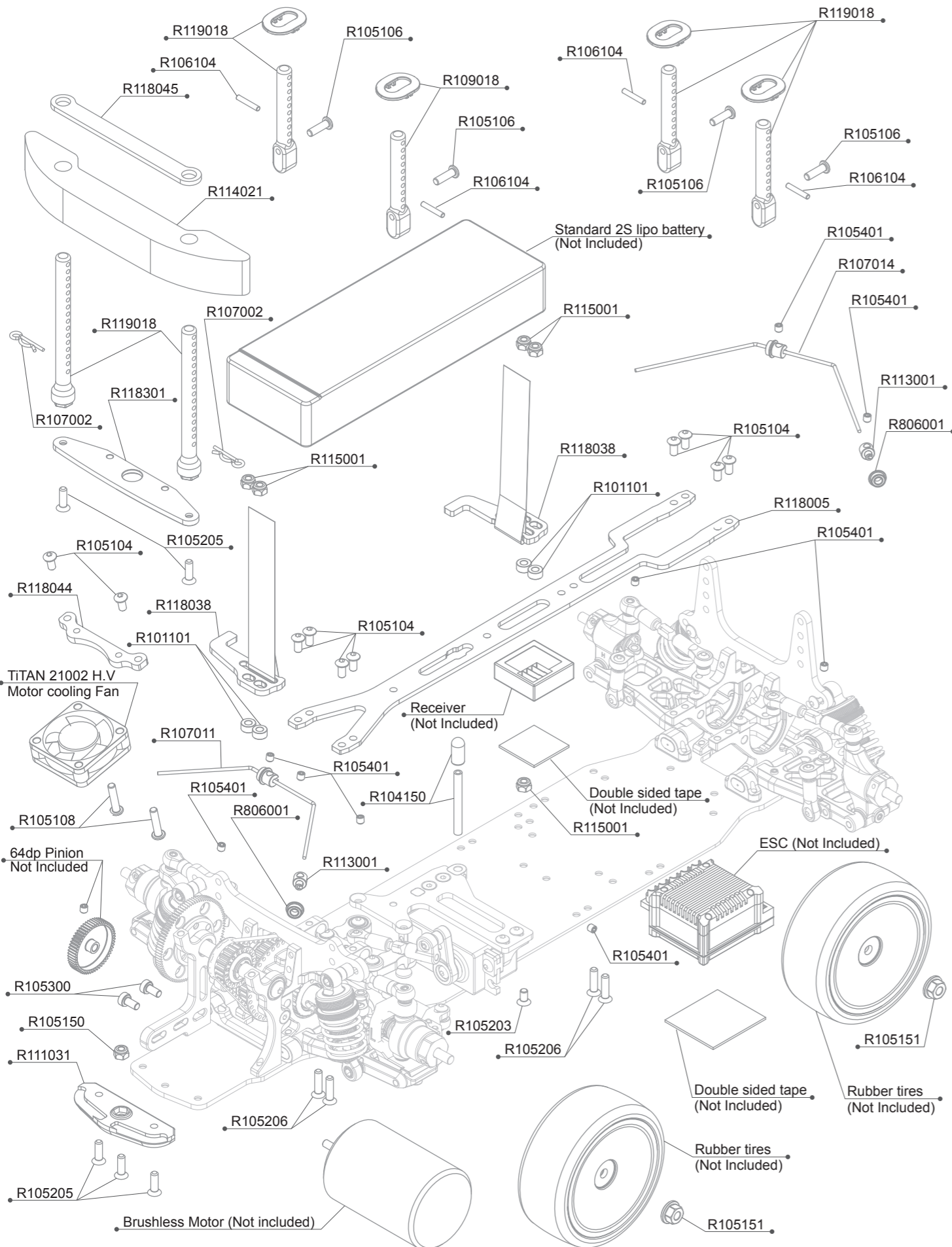
NOTICE
Rubber tires not included

R105151

R105151

- R105151 4mm Nylon Nut (4)

R11F BAG 05 PARTS EXPLODED VIEW



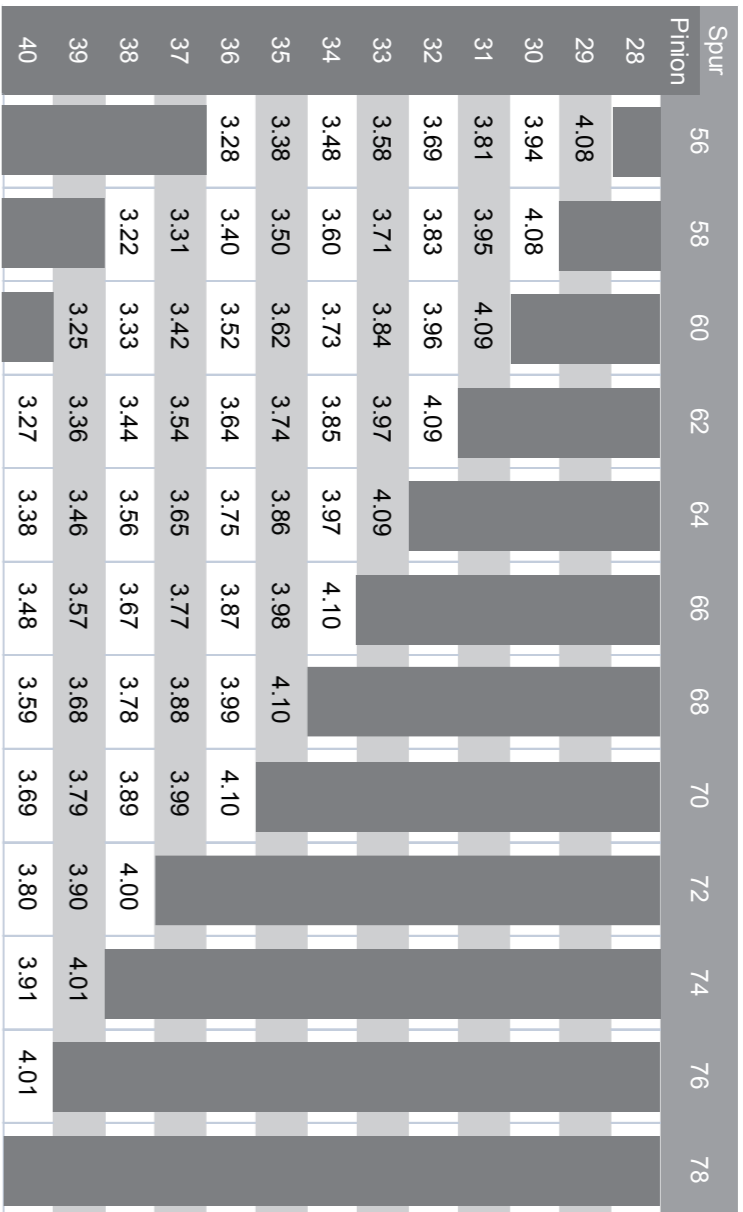
R11F BAG 05 PARTS LIST

R101101	Low Arm F/R Set (Hard)	R107011	Front Anti-Roll Bar 1.3mm
R104150	Antenna (1set)	R107014	Rear Anti-Roll Bar 1.3mm
R105104	3x6 Round Screw (10)	R111031	R11F Bumper
R105106	3x10 Round Screw (10)	R113001	Anti-Roll Bar Holder (2)
R105108	3x14 Round Screw (10)	R114021	R11F Foam Bumper
R105150	3mm Nylon Nut (10)	R115001	3mm Nylon Nut-Black Alu (4)
R105151	4mm Nylon Nut (4)	R118005	R11 2018 Upper Deck 2.0mm
R105203	3x6mm Flat Screw (10)	R118038	R11 2019 Battery Guides-Carbon (2)
R105205	3x10mm Flat Screw (10)	R118044	R11F Fan Mount Plate
R105206	3x12mm Flat Screw (10)	R118045	R11F Front Body Tower Plate
R105300	3x6mm Cap Screw (10)	R118301	R11F Front Bumper Plate
R105401	3x3mm Set Screw (10)	R119018	R11 Body Mount Set
R106104	2x11.8mm Pin (10pcs)	R806001	3x6x2.5 Flange Ball Bearing (2)
R107002	R-Clip(8pcs)		

1:1 SCALE

	R105104 3x6 Round Screw (10)		R102015 3x5.5x2mm Alu Shims (8)
	R105105 3x8 Round Screw (10)		R105401 3x3mm Set Screw (10)
	R105106 3x10 Round Screw (10)		R106104 Ø2x11.8 Pin (10)
	R105203 3x6mm Flat Screw (10)		R105150 3mm Nylon Nut (10)
	R105204 3x8mm Flat Screw (10)		R105151 4mm Nylon Nut (4)
	R105205 3x10mm Flat Screw (10)		R115001 3mm Nylon Nut-Black Alu (4)
	R105206 3x12mm Flat Screw (10)		
	R105300 3x6mm Cap Screw (10)		

ARC R11F GEAR RATIO CHART 48DP FDR 2.11 (18T/38T)



ARC R11F GEAR RATIO CHART 64DP FDR 2.11 (18T/38T)

