

RACE

TRACK

NAME

CITY

DATE

TEMPERATURE	AIR	TRACK
QUALIFYING	BEST LAP TIME	FINAL POSITION
	SEC	RACE LENGTH
		MIN

TRACK CONDITION

CARPET  ASPHALT

INDOOR  OUTDOOR

TECHNICAL  MIXED  FAST

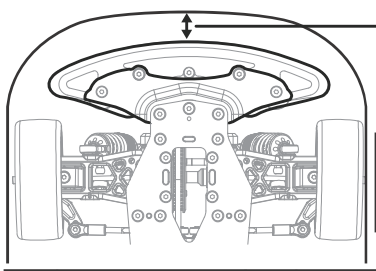
TRACTION  LOW  MEDIUM  HIGH

FRONT	TRANSMISSION	REAR
GEAR DIFF		GEAR DIFF
<input type="checkbox"/>	CST	<input type="checkbox"/>
<input type="checkbox"/>	ONE WAY	Number of Gears
<input type="checkbox"/>	SPOOL	<input type="checkbox"/> 2 <input type="checkbox"/> 4

MOTOR	ESC
PINION DP	T
SPUR GEAR DP	T
FINAL DRIVE RATIO (Internal Ratio: 2.0)	

FRONT		REAR	
OIL	SHOCK PISTON	OIL	SHOCK PISTON
<input type="checkbox"/> 3 HOLE	<input type="checkbox"/> 3 HOLE	<input type="checkbox"/> 3 HOLE	<input type="checkbox"/> 3 HOLE
<input type="checkbox"/> 4 HOLE	<input type="checkbox"/> 4 HOLE	<input type="checkbox"/> 4 HOLE	<input type="checkbox"/> 4 HOLE
CST	HOLE SIZE	CST	HOLE SIZE
	mm		mm
SPRING		SPRING	
	mm		mm

TIRES	
RIM	
INSERTS	
ADDITIVE	



Bumper

Standard

Cut

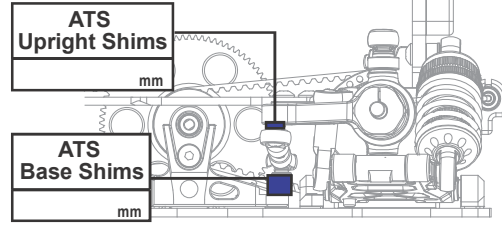
BODY MOUNT DISTANCE

mm

BODY

WING

### ATS SETUP



ATS Upright Shims

mm

ATS Base Shims

mm

