

RACE

TRACK

NAME

CITY

DATE

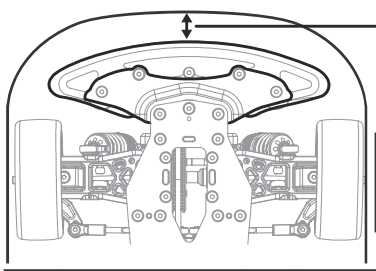
TEMPERATURE	AIR	TRACK
QUALIFYING	BEST LAP TIME	FINAL POSITION
	SEC	
TRACK CONDITION	<input type="checkbox"/> CARPET	<input type="checkbox"/> ASPHALT
	<input type="checkbox"/> INDOOR	<input type="checkbox"/> OUTDOOR
	<input type="checkbox"/> TECHNICAL	<input type="checkbox"/> MIXED
TRACTION	<input type="checkbox"/> LOW	<input type="checkbox"/> MEDIUM
	<input type="checkbox"/> FAST	<input type="checkbox"/> HIGH

FRONT	TRANSMISSION	REAR
GEAR DIFF		GEAR DIFF
<input type="checkbox"/>	CST	<input type="checkbox"/>
<input type="checkbox"/>	ONE WAY	Number of Gears
<input type="checkbox"/>	SPOOL	<input type="checkbox"/> 2 <input type="checkbox"/> 4

MOTOR	ESC
PINION DP	T
SPUR GEAR DP	T
FINAL DRIVE RATIO (Internal Ratio: 2.0)	

OIL	<input type="checkbox"/> 3 HOLE	SHOCK PISTON	<input type="checkbox"/> 3 HOLE	OIL
CST	<input type="checkbox"/> 4 HOLE	HOLE SIZE	<input type="checkbox"/> 4 HOLE	CST
SPRING	<input type="checkbox"/>	mm	<input type="checkbox"/>	SPRING
	<input type="checkbox"/>	mm	<input type="checkbox"/>	

TIRES	<input type="text"/>
RIM	<input type="text"/>
INSERTS	<input type="text"/>
ADDITIVE	<input type="text"/>



Bumper

Standard

Cut

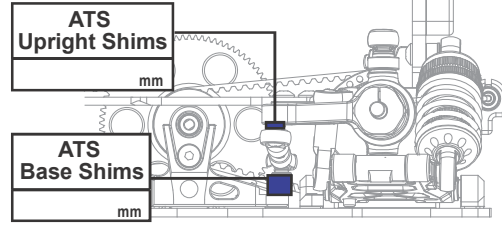
BODY MOUNT DISTANCE

mm

BODY

WING

### ATS SETUP



ATS Upright Shims

mm

ATS Base Shims

mm

