



ARC

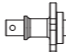

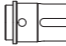

INSTRUCTION MANUAL


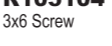

RI10
2015

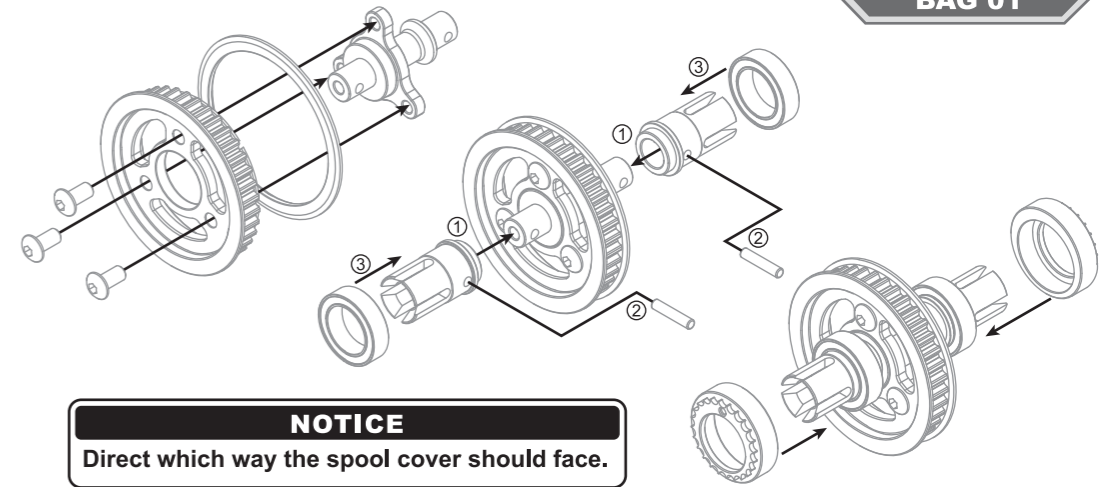
www.arc-rc.com.tw

2015
RI10



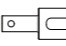



NOTE :

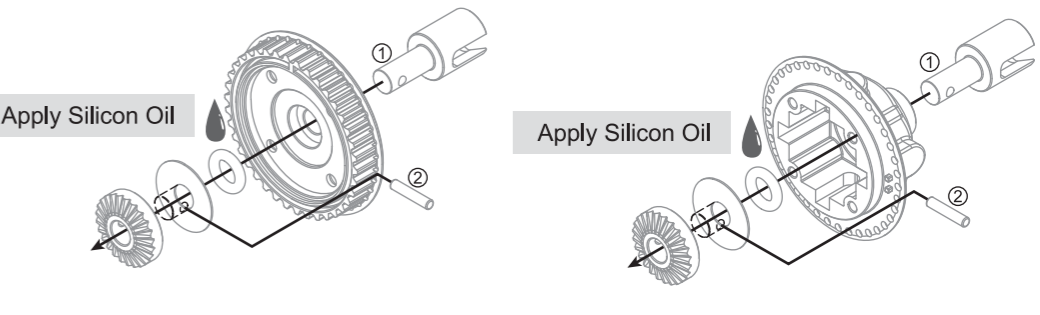
-  **R102003**
Spool Axle Alu
-  **R10102A**
Front Spool Pulley Set 38T
-  **R103001**
Spool Outdrive (2pcs)
-  **R10101D**
Eccentric Hub

-  **R105104**
3x6 Screw
-  **R106101**
Ø2x9.8 Pin
-  **R106020**
10x15mm Ball Bearing



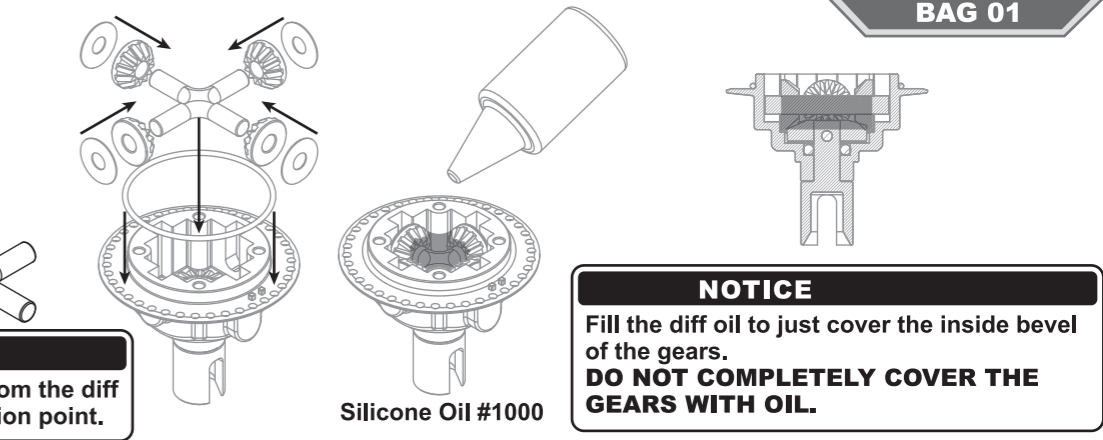
BAG 01

-  **R10102E**
Rear Diff Case
-  **R101110**
Diff Gears (with Axle)
-  **R102001**
Gear Diff Outdrive Alu
-  **R103024**
Gear Diff Shim Big
-  **R104006**
O'ring 5x2
-  **R106101**
Ø2x9.8 Pin






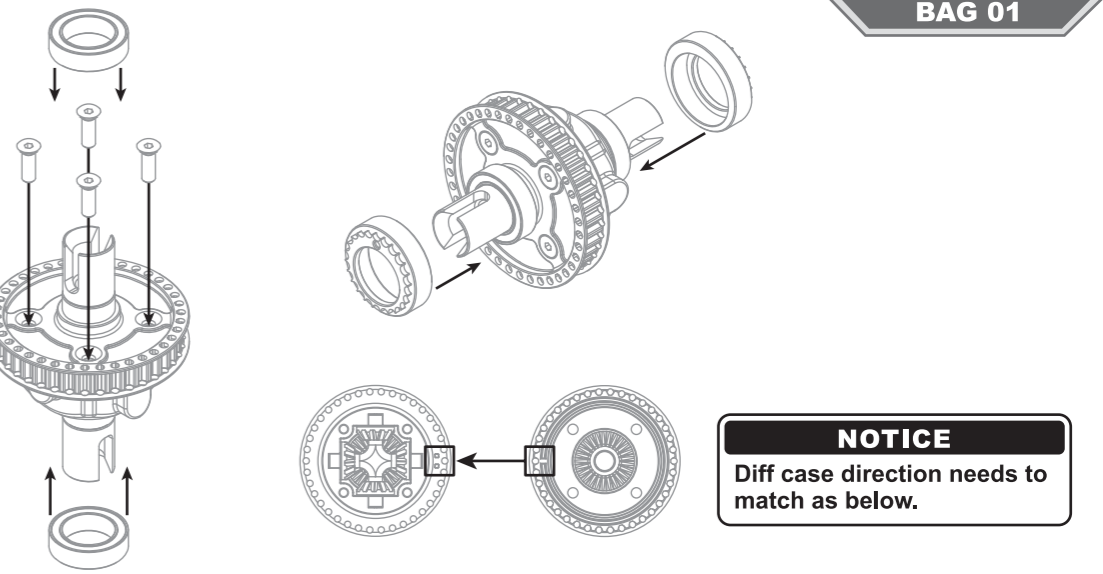
BAG 01

-  **R101110**
Diff Gears (with Axle)
x 4pcs
-  **R103023**
Gear Diff Shim small
-  **R104005**
O'ring 26x1











BAG 01

-  **R10101D**
Eccentric Hub
-  **R105201**
2.5x8mm
-  **R106021**
10x15mm Ball Bearing

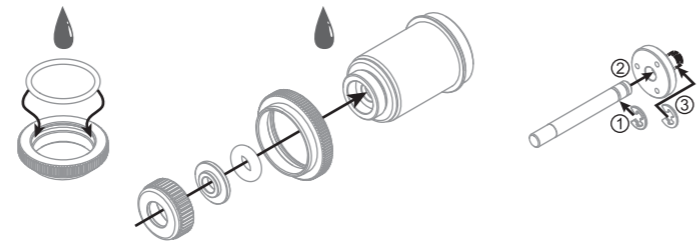


BAG 01


BAG 02

-  **R102034**
Shock ADJ Nut Alu Short
-  **R102033**
Shock Low Cap Alu short
-  **R103013**
Shock Shaft
-  **R105501**
E-Clip 2mm
-  **R104002**
O-ring 3x2
-  **R102067**
Shock Body Long Big Bore
-  **R104015**
Shock Shaft Shim
-  **R104023**
Shock Piston Big Bore Long 1.1mm x3

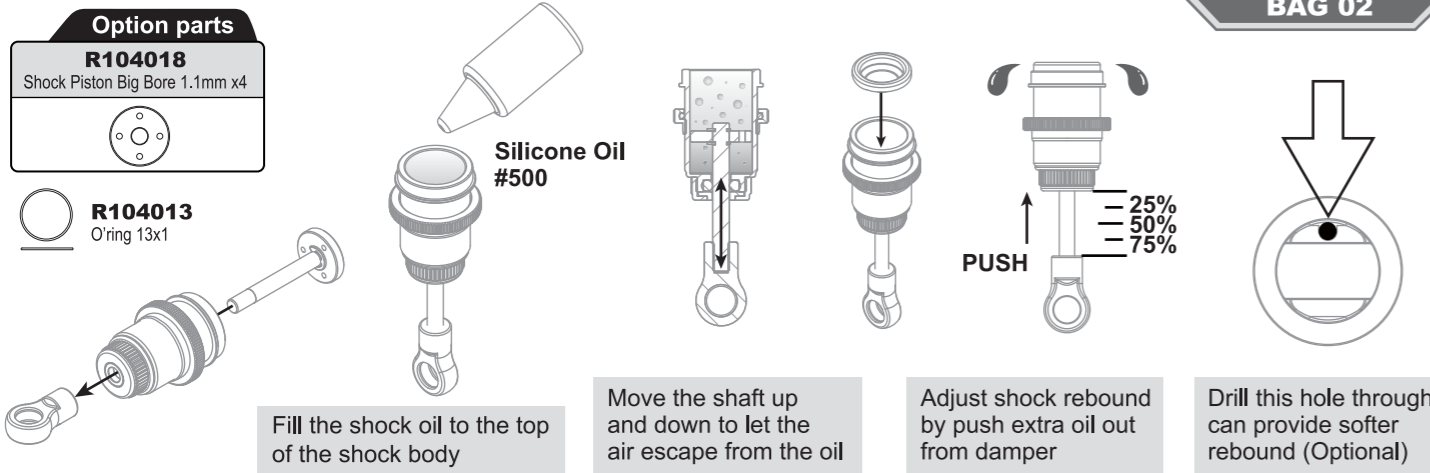
Apply shock oil before assembly



Option parts






-  **R104018**
Shock Piston Big Bore 1.1mm x4


-  **R104013**
O-ring 13x1

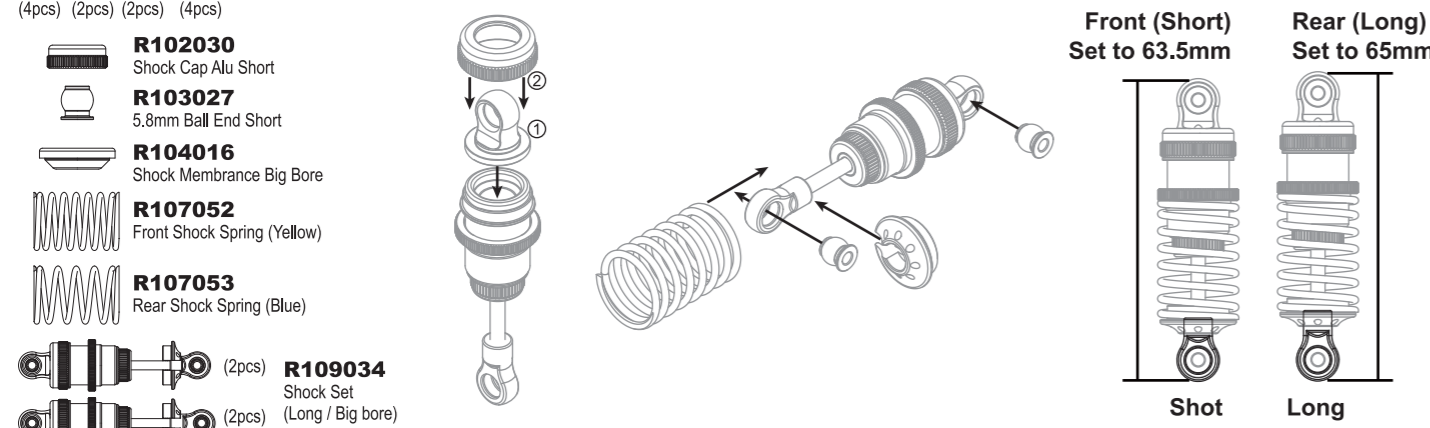


BAG 02


-  **R101130**
Shock Ball Joint Set Big Bore
(4pcs) (2pcs) (2pcs) (4pcs)

-  **R102030**
Shock Cap Alu Short
-  **R103027**
5.8mm Ball End Short
-  **R104016**
Shock Membrane Big Bore
-  **R107052**
Front Shock Spring (Yellow)
-  **R107053**
Rear Shock Spring (Blue)

-  **R109034**
Shock Set
(2pcs) (Long / Big bore)







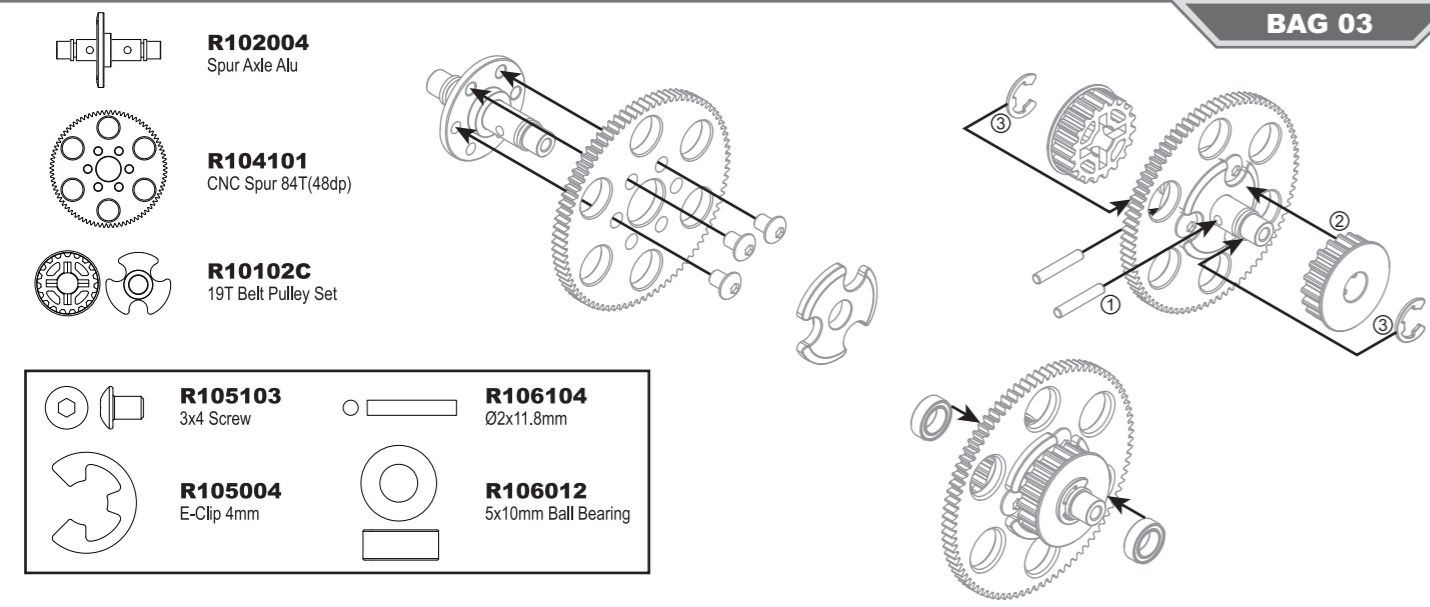
BAG 02

-  **R102004**
Spur Axle Alu


-  **R104101**
CNC Spur 84T(48dp)

-  **R10102C**
19T Belt Pulley Set

-  **R105103**
3x4 Screw
-  **R106104**
Ø2x11.8mm
-  **R105004**
E-Clip 4mm
-  **R106012**
5x10mm Ball Bearing



BAG 03

-  **R108009**
2.25mm Main Chassis

-  **R102501**
Bulkhead Alu FL/RR

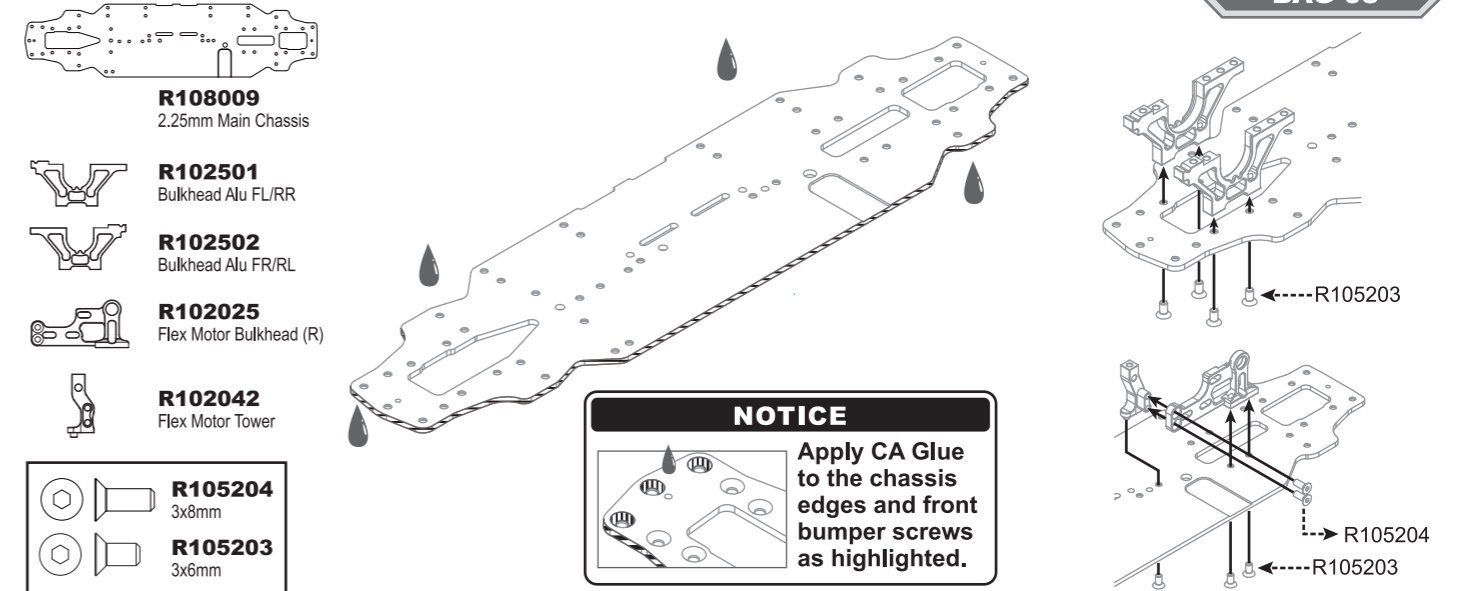
-  **R102502**
Bulkhead Alu FR/RL

-  **R102025**
Flex Motor Bulkhead (R)

-  **R102042**
Flex Motor Tower

-  **R105204**
3x8mm

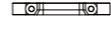
-  **R105203**
3x6mm




BAG 03

-  **R102501**
Bulkhead Alu FL/RR

-  **R102502**
Bulkhead Alu FR/RL

-  **R102510**
Suspension Alu Bracket #0

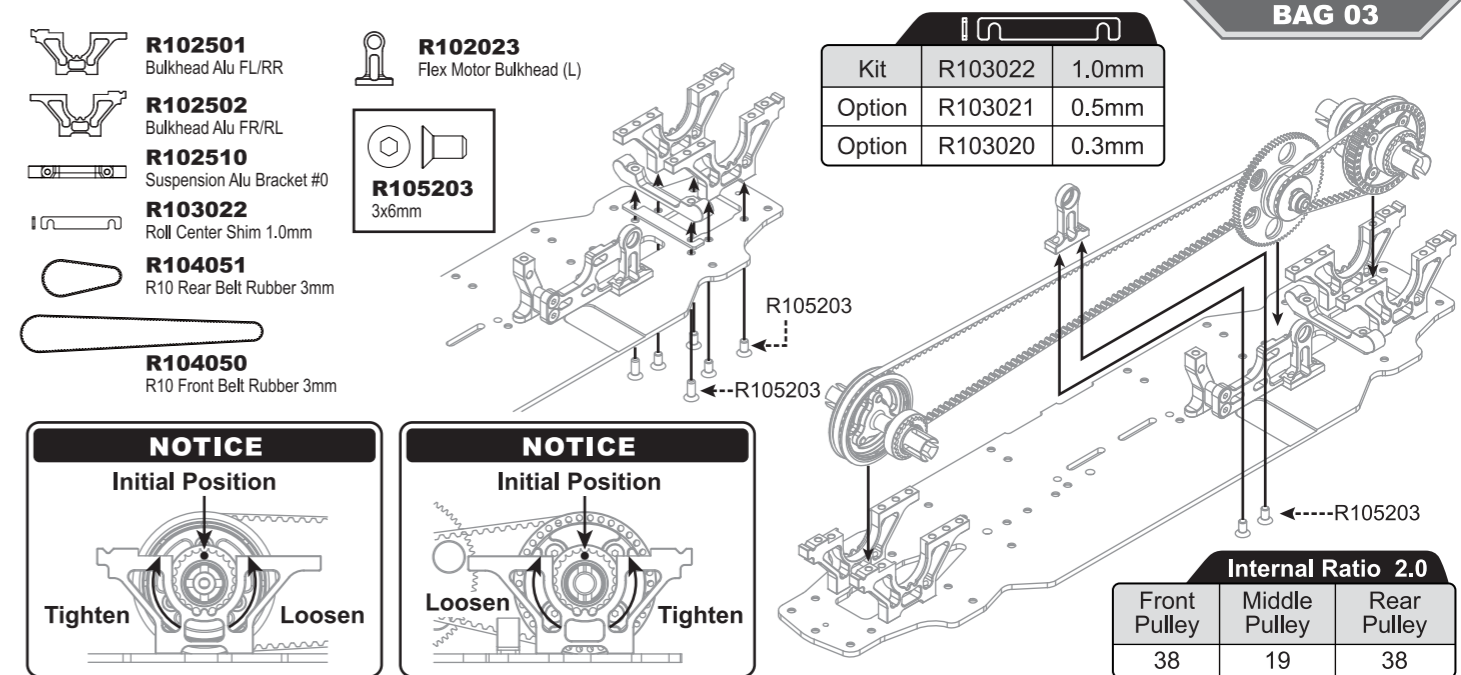
-  **R103022**
Roll Center Shim 1.0mm

-  **R104051**
R10 Rear Belt Rubber 3mm

-  **R104050**
R10 Front Belt Rubber 3mm

-  **R102023**
Flex Motor Bulkhead (L)

-  **R105203**
3x6mm



BAG 03


-  **R102065**
Bulkhead upper Alu FL/RR V2015

-  **R102066**
Bulkhead upper Alu FR/RL V2015

-  **R103006**
Steering Shaft

-  **R102512**
Suspension Alu Bracket #1


-  **R108043**
Front Shock Tower 3.5mm (V2015)

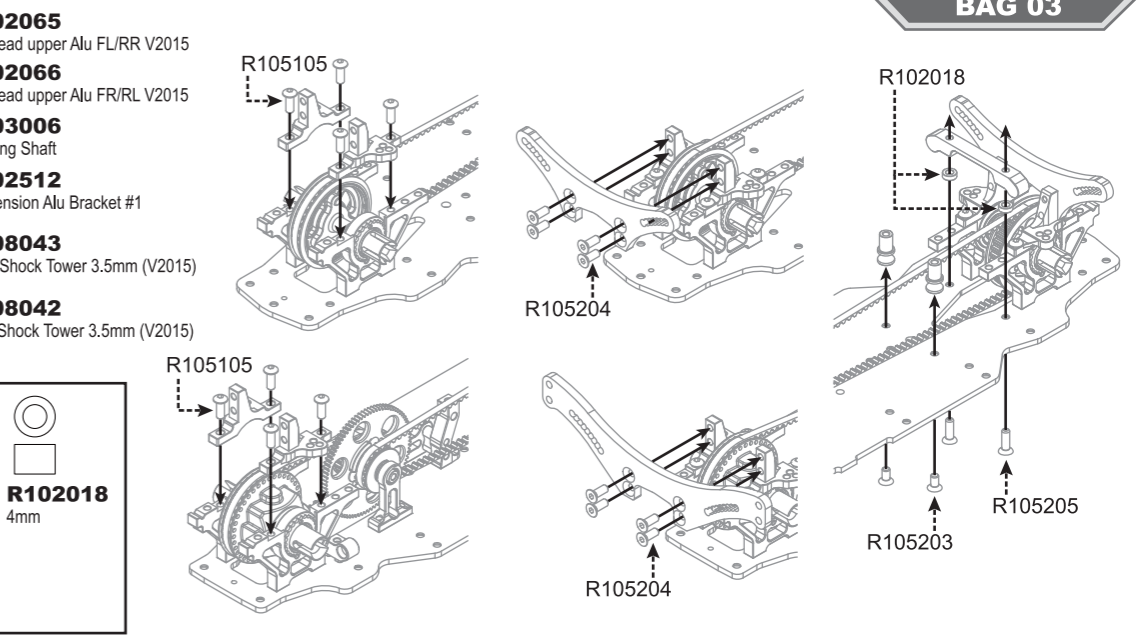
-  **R108042**
Rear Shock Tower 3.5mm (V2015)

-  **R105105**
3x8mm

-  **R105203**
3x6mm

-  **R105204**
3x8mm

-  **R105205**
3x10mm



BAG 03

BAG 04

- R10107A** Ball Joint 4.9mm open
- R10107D** Steering Rod Ball Joint
- R103011** 4.9mm Ball End Short
- R103017** 4.9mm Ball End Med

BAG 04

- R101060** Servo Horn dual steering arm
- R102508** Steering Plate Alu 8.5
- R105104** 3x6mm
- R105105** 3x8mm
- R106010** 5x8 Ball Bearing

BAG 04

- R10107C** Anti-Roll Bar Joint
- R10107A** Ball Joint 4.9mm open
- R103012** 4.9mm Ball End Long
- R103008** Ball 5mm
- R103040** Pivot Pin Inner
- R10110F** Low Arm F Set with Shims
- R10110A**
- R10110B**
- R10110C**
- R105403** 3x8mm
- R105404** 3x10mm

BAG 04

- R102514** Suspension Alu Bracket #2
- R103022** Roll Center Shim 1.0mm
- R105204** 3x8mm

Kit	R103022	1.0mm
Option	R103021	0.5mm
Option	R103020	0.3mm

32mm 27.6mm 27.6mm 32mm
33mm 28.6mm 28.6mm 33mm Initial Setup

Front lower arms have 4 different shock positions. Make sure left and right sides are both symmetrical during assembly.

BAG 04

- R103011** 4.9mm Ball End Short
- R103012** 4.9mm Ball End Long
- R103008** Ball 5mm
- R103014** Pivot Pin Inner
- R10110R** Low Arm R Set with Shims
- R10110A**
- R10110B**
- R10110C**
- R105403** 3x8mm
- R105404** 3x10mm

BAG 04

- R102516** Suspension Alu Bracket #3
- R103022** Roll Center Shim 1.0mm
- R105204** 3x8mm

Kit	R103022	1.0mm
Option	R103021	0.5mm
Option	R103020	0.3mm

35.1mm 35.1mm
39.5mm 30.7mm 30.7mm 39.5mm Initial Setup
40.5mm 31.7mm 31.7mm 40.5mm
36.1mm 36.1mm

Rear lower arms have 6 different positions for shocks and anti-roll bars. Make sure left and right sides are symmetrical during assembly.

BAG 05

- R107001** CDV G-Clip
- R103002** Wheel Axle
- R103003** CVD Rear 44mm
- R103004** CVD Front 45.5mm
- R103005** CVD Insert
- R101030** C Cap 3.5mm
- R102005** Hex Wheel Hub Alu
- R101090** Steering Block and Upright
- R105101** 2x5mm
- R106101** Ø2x9.8mm
- R106102** Ø2x10mm
- R106012** 5x10mm Ball Bearing

BAG 05

- R10107A** Ball Joint 4.9mm open
- R10107B** Ball Joint 4.9mm closed
- R101080** C-Hub 4 Right + Left
- R103007** Steering Block Bushing
- R105105** 3x8mm

BAG 05

- R103012** 4.9mm Ball End Long
- R103016** Pivot Pin Rear-Out (25mm)
- R103017** 4.9mm Ball End Med
- R102014** 1mm
- R102017** 3mm
- R105401** 3x3mm

R103017 Length 13.9mm X 4Set

BAG 05

- R103010** 4.9mm Ball End Open
- R103012** 4.9mm Ball End Long
- R103015** Pivot Pin Front-Out (23mm)
- R102015** 2mm
- R105402** 3x4mm
- R105106** 3x10mm



BAG 06

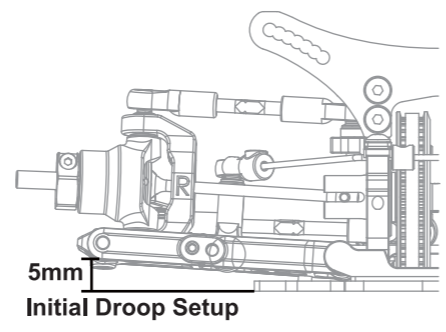
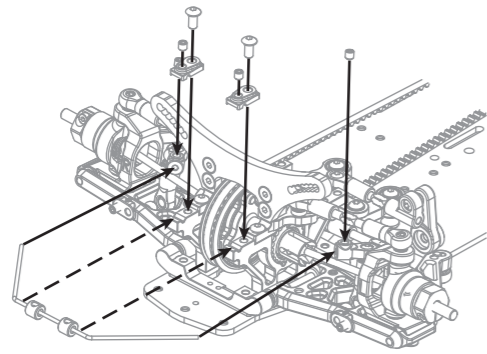
- R10101C** Anti-Roll Bar Holder
- R102006** Collar Alu
- R107012** Front Anti-Roll Bar 1.4mm
- R105401** 3x3mm
- R105104** 3x6mm

4.5mm Initial Droop Setup

BAG 06




-  **R10101C**
Anti-Roll Bar Holder
-  **R102006**
Collar Alu
-  **R107013**
Rear Anti-Roll Bar 1.2mm

-  **R105401**
3x3mm
-  **R105104**
3x6mm

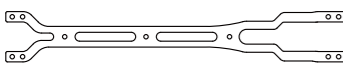



BAG 06

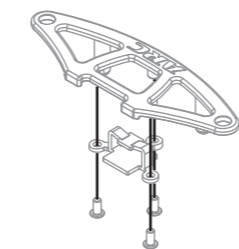
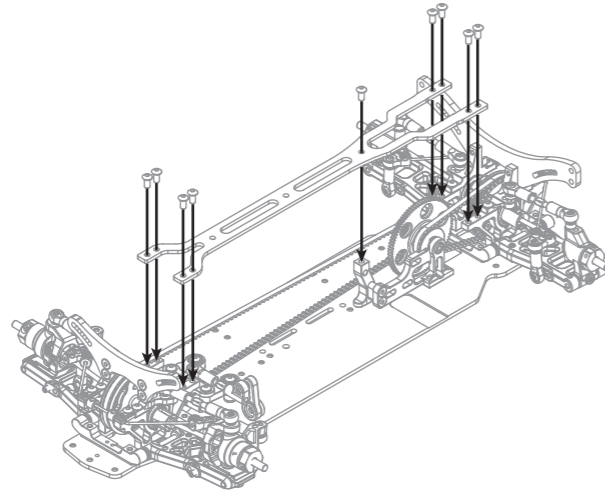
- R101050**
Bumper / Tower Set

-  (x2)
-  (x2)
-  (x4)

- R108040**
Upper Deck Carbon 2.0mm-V2015

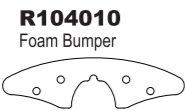




-  **R105104**
3x6mm



BAG 06

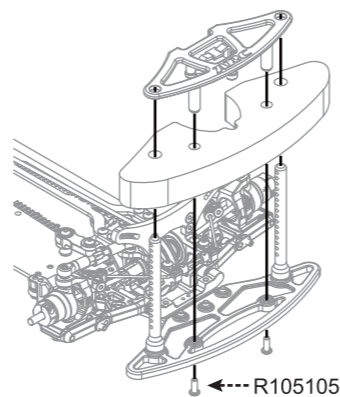
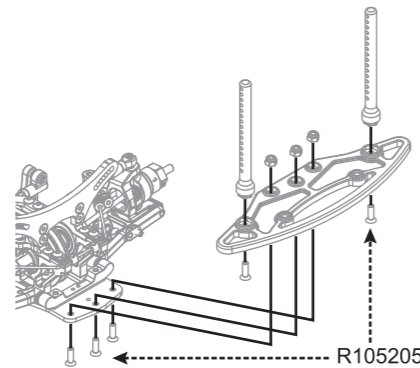
-  **R105150**
3mm





-  **R105105**
3x8mm
-  **R105205**
3x10mm



NOTICE

The bumper can be cut at the black lines to make it smaller.


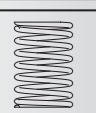
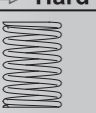


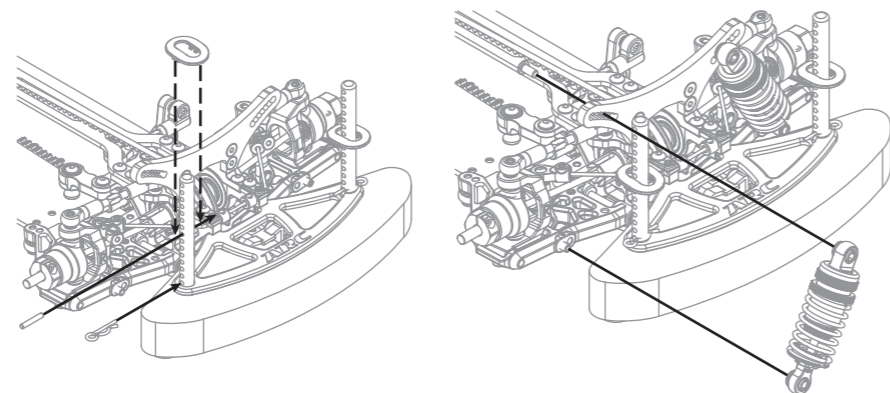
BAG 06

-  **R10510C**
Body Tower Set
-  **R107002**
R-Clip




-  **R105104**
3x6mm
-  **R106104**
Ø2x11.8mm

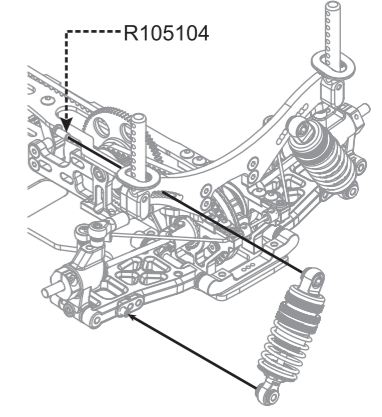
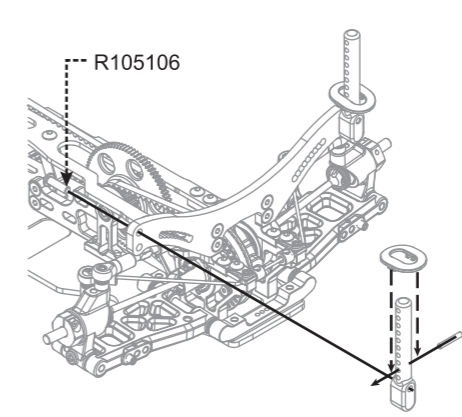
ARC R10 2015 SPRING RATE NEW LONG TYPE

Soft ← → Hard		
		
Color		
R107053 Blue	R107051 Green	R107052 Yellow
Spring Rate(kgf/mm)		
0.25g	0.27g	0.28g

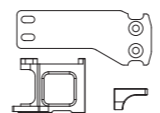


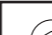


BAG 06

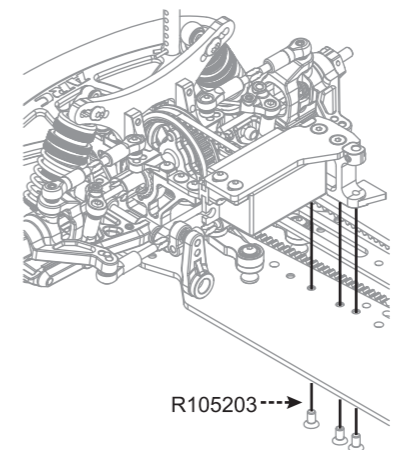
-  **R105104**
3x6mm
-  **R105106**
3x10mm
-  **R106104**
Ø2x11.8mm



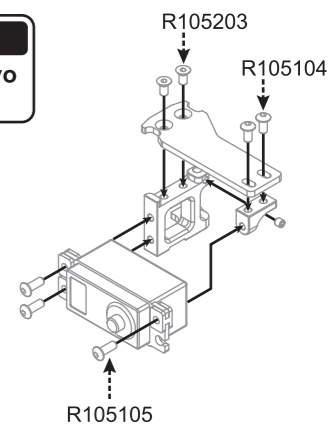
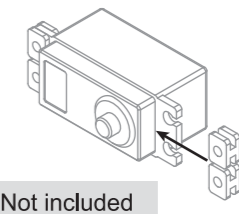
BAG 06




-  **R105104**
3x6mm
-  **R105105**
3x8mm
-  **R105203**
3x6mm





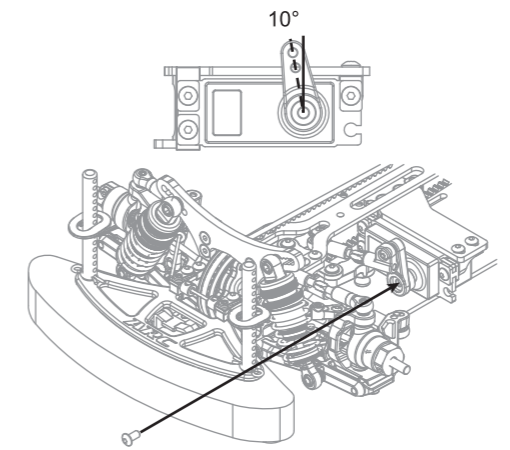
NOTICE
It is recommended to use servo mount rubber.



BAG 06

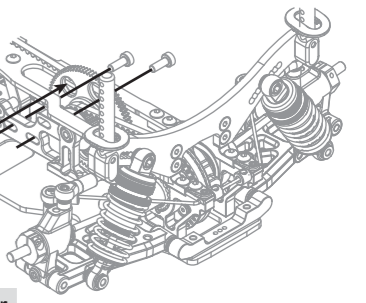
-  **R10106B**
Servo Horn dual steering arm
23T-Sanwa,KO
24T-Hitec
25T-Futaba,SAVOX

-  **R105104**
3x6mm
-  **R105301**
3x8mm



Motor Pinion (48p)
(Not included)

Brushless Motor
(Not included)



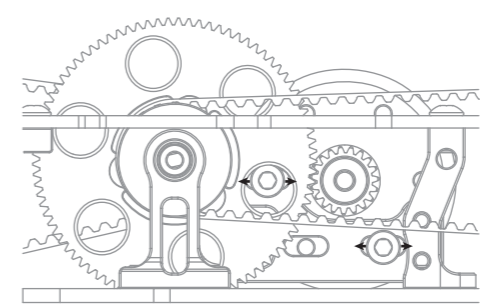
BAG 06

-  **R10101A**
Antenna Mount Set

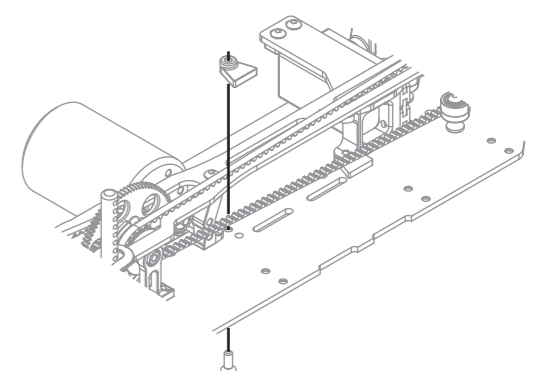
-  **R105203**
3x6mm

NOTICE

A gear mesh that is too tight will put extra strain on the spur gear. A gear mesh that is too loose will strip the spur.



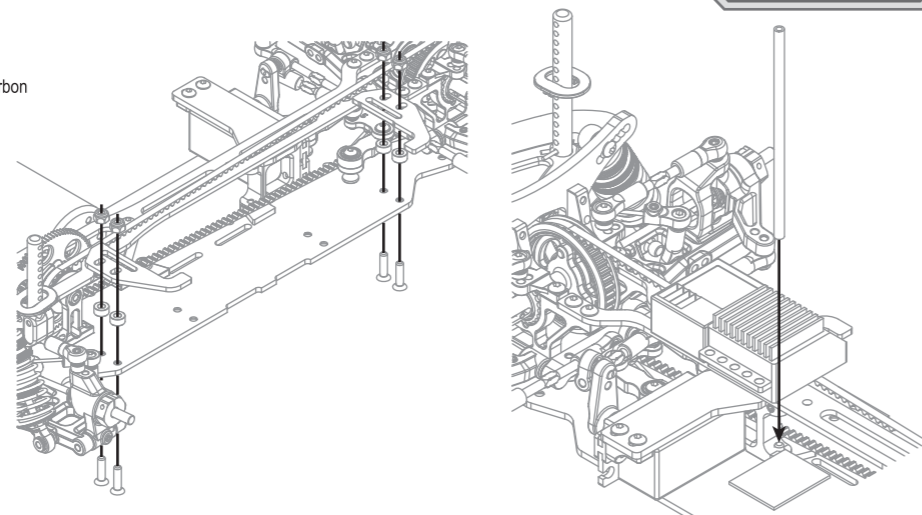
Gear mesh should have a minimal amount of play between spur and pinion.



- R105150**
3mm
- R10110C**
3mm
- R105206**
3x12mm

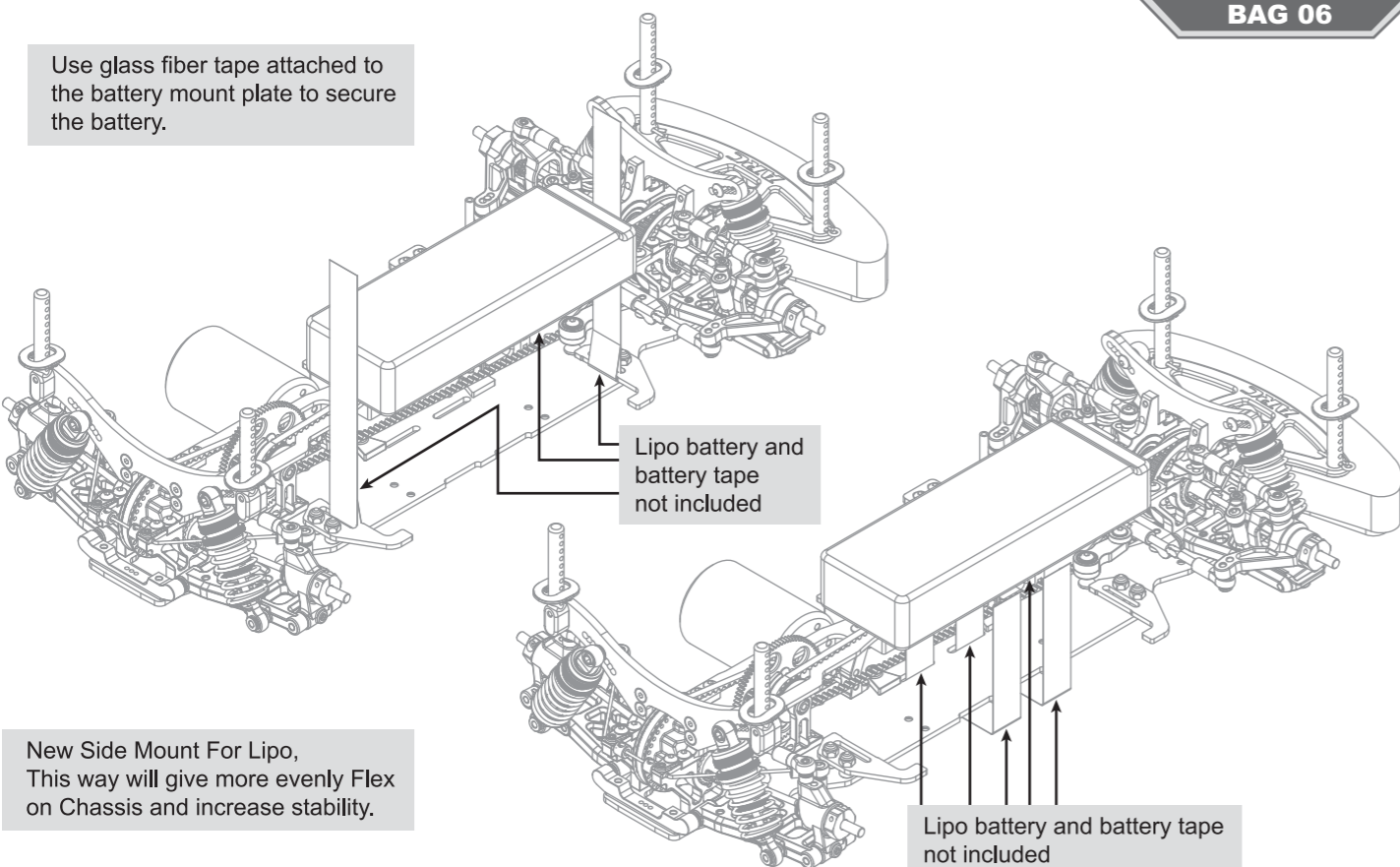
- R108006**
Battery Mount Plate Carbon
- R104150**
Antenna

NOTICE
Use a small file to round the edge of the battery holder, to prevent the battery tape from damage.



BAG 06

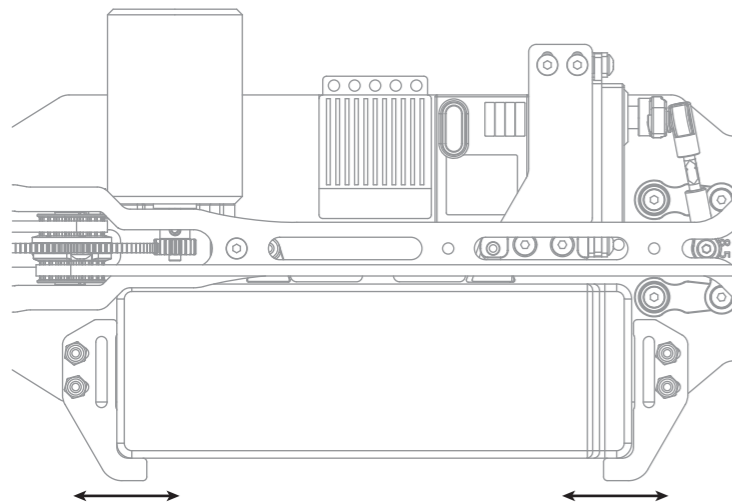
Use glass fiber tape attached to the battery mount plate to secure the battery.



New Side Mount For Lipo, This way will give more evenly Flex on Chassis and increase stability.

Lipo battery and battery tape not included

BAG 06



The battery location can be adjusted by moving the battery holders. This can be used to adjust the weight distribution.

RACE _____
 TRACK _____
 NAME _____
 CITY / COUNTRY _____
 DATE _____

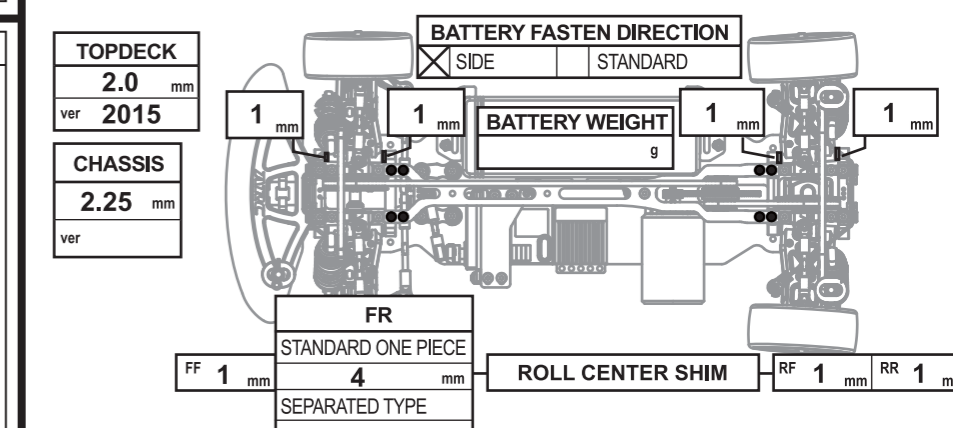
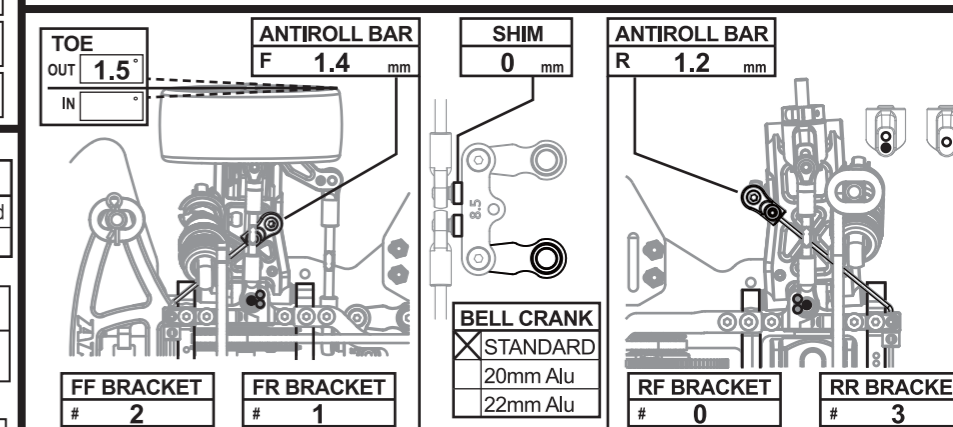
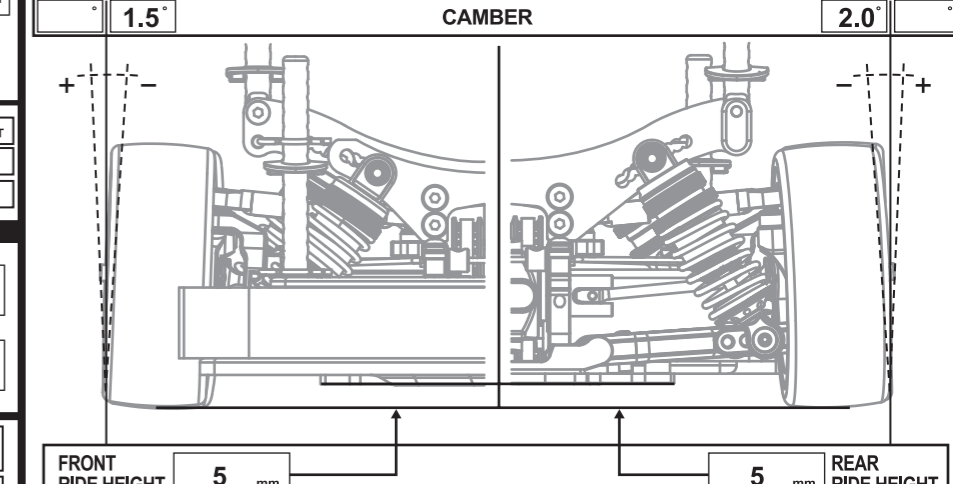
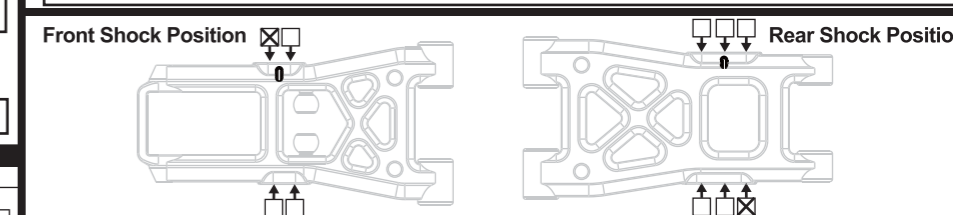
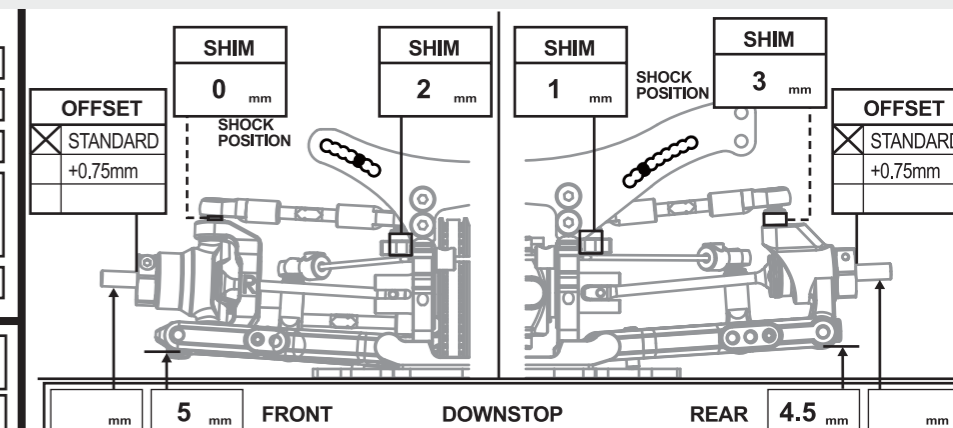
TEMPERATURE	AIR	TRACK
QUALIFYING POSITION	BEST LAP TIME	FINAL POSITION
	SEC	MIN
TRACK CONDITION		
<input type="checkbox"/> TECHNICAL	<input type="checkbox"/> CARPET	<input checked="" type="checkbox"/> ASPHALT
<input type="checkbox"/> MIXED	<input type="checkbox"/> FAST	
TRACTION		
<input type="checkbox"/> LOW	<input checked="" type="checkbox"/> MEDIUM	<input type="checkbox"/> HIGH
FRONT TRANSMISSION REAR		
GEAR DIFF	GEAR DIFF	
<input type="checkbox"/> CST	<input type="checkbox"/> 1000	<input type="checkbox"/> CST
<input type="checkbox"/> ONE WAY	Number of Gears	
<input checked="" type="checkbox"/> SPOOL	<input type="checkbox"/> 2	<input checked="" type="checkbox"/> 4
PINION	T	SPUR GEAR
R10 Internal Ratio	2.0	
FINAL DRIVE RATIO		

FRONT		REAR	
OIL	<input checked="" type="checkbox"/> 3 HOLE	SHOCK PISTON	<input checked="" type="checkbox"/> 3 HOLE
500	<input type="checkbox"/> 4 HOLE	HOLE SIZE	500
CST		1.1 mm	CST
SPRING			SPRING
Yellow			BLUE

TIRES	
RIM	
INSERTS	
ADDITIVE	

Bumper	
<input type="checkbox"/> Standard	<input checked="" type="checkbox"/> Cut
BODY MOUNT DISTANCE	
7 mm	
BODY	BLITZ GSF WING STANDARD

NOTE



TOPDECK 2.0 mm ver 2015
 CHASSIS 2.25 mm ver