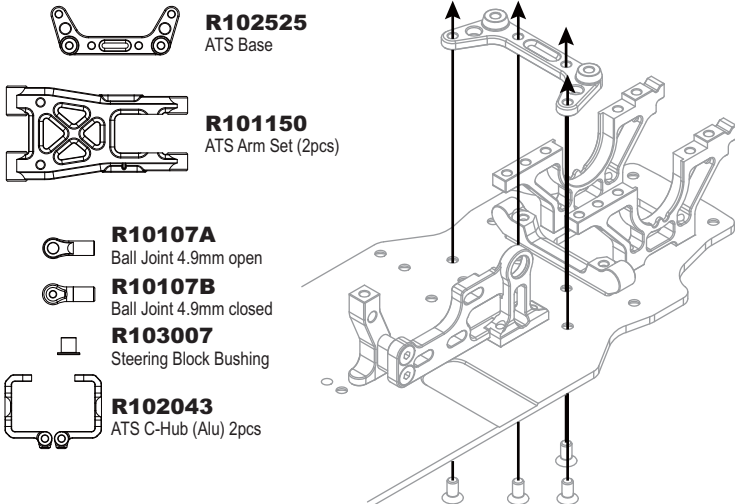


**R100010**



**R102525**  
ATTS Base

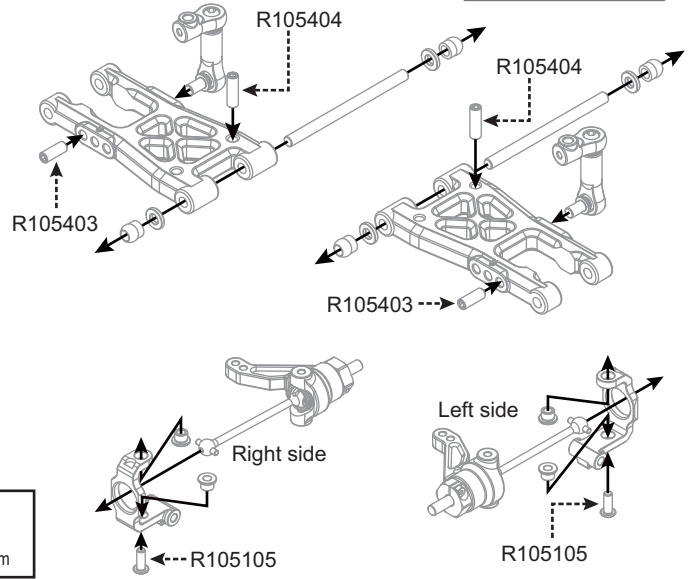
**R101150**  
ATTS Arm Set (2pcs)

**R10107A**  
Ball Joint 4.9mm open

**R10107B**  
Ball Joint 4.9mm closed

**R103007**  
Steering Block Bushing

**R102043**  
ATTS C-Hub (Alu) 2pcs



**R105105** 3x8mm    **R105203** 3x6mm    **R105403** 3x8mm    **R105404** 3x10mm

**R102516**  
Suspension Alu Bracket #3

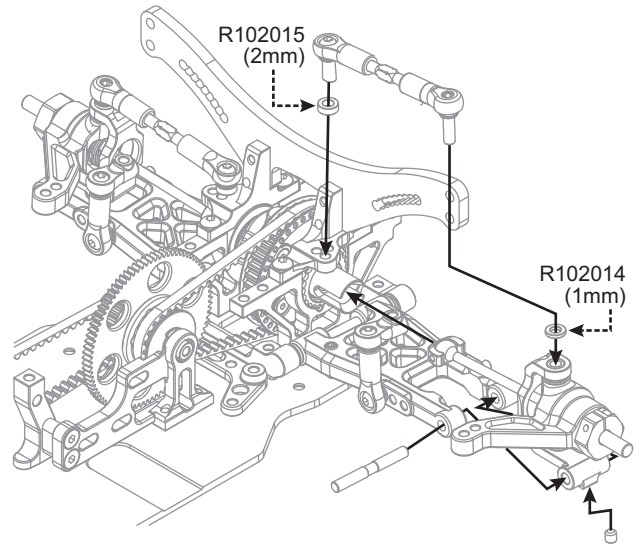
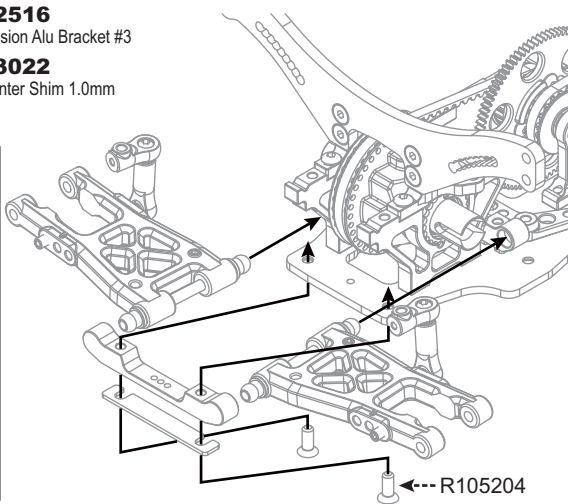
**R103022**  
Roll Center Shim 1.0mm

**R102014**  
1mm

**R102015**  
2mm

**R105401**  
3x3mm

**R105204**  
3x8mm



**R103012**  
4.9mm Ball End Long

**R103016**  
Pivot Pin Rear-Out (25mm)

**R103017**  
4.9mm Ball End Med

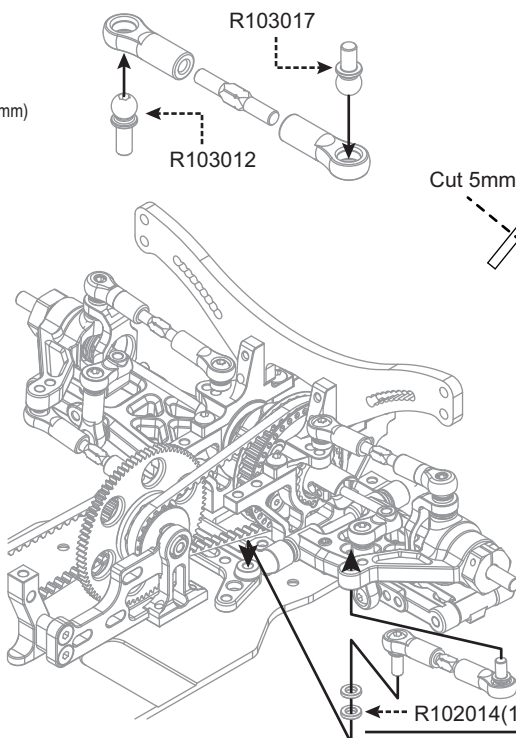
**R10101C**  
Anti-Roll Bar Holder

**R102006**  
Collar Alu

**R102014**  
1mm

**R105401**  
3x3mm

**R105104**  
3x6mm

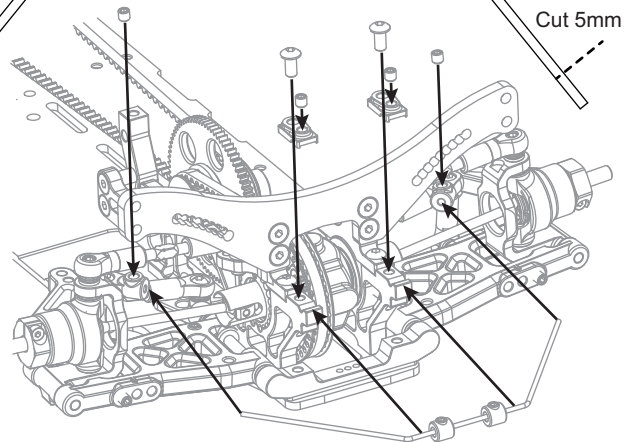


**1:1 Rear Anti Roll Bar**

Cut each side 5mm to fit ATTS.

Cut 5mm

Cut 5mm



ATTS Base Shims	Toe Angle Change
2mm	1.0 degree
1mm	1.5 degree