

AIRC

Advanced R/C Car

R10

1/10 190mm Electric Touring Car
INSTRUCTION MANUAL

BAG 01

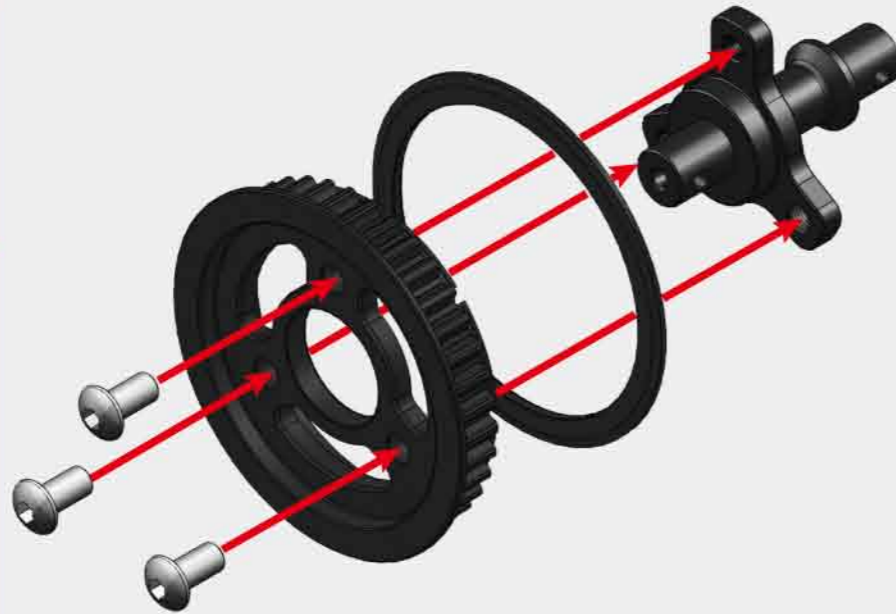
R102003
Spool Axle Alu



R10102A
Front Spool Pulley Set 38T



R105104
3 x6 Screw

BAG 01

R10102E
Rear Diff Case



R101110
Gear Diff Set



R102001
Gear Diff Outdrive Alu



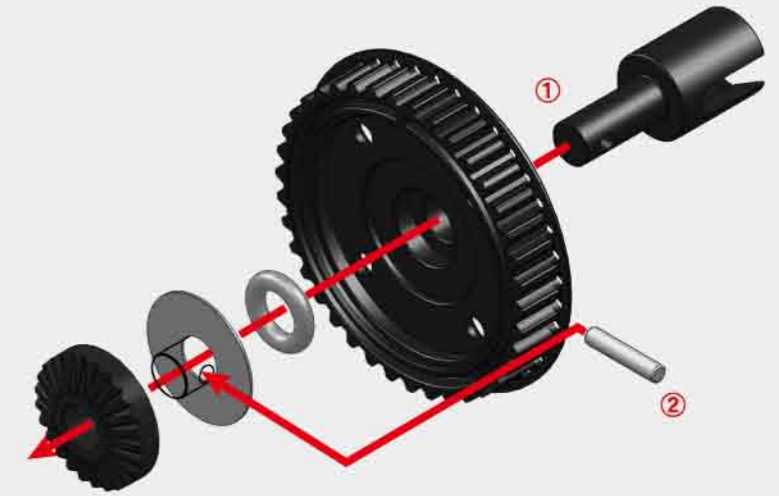
R103024
Gear Diff Shim Big



R104006
O'ring 5x2



R106101
Ø 2 x 9.8 mm

BAG 01

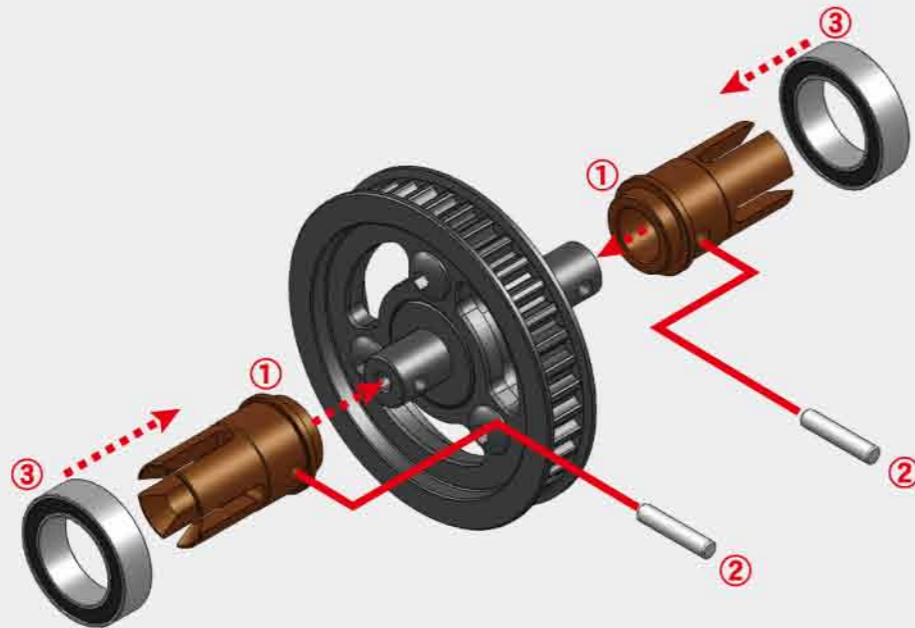
R103001
Spool Outdrive (2pcs)



R106020
10 x 15 Screw



R106101
2 x 9.8 Screw

BAG 01

R10102E
Rear Diff Case



R101110
Gear Diff Set



R102001
Gear Diff Outdrive Alu



R103024
Gear Diff Shim Big



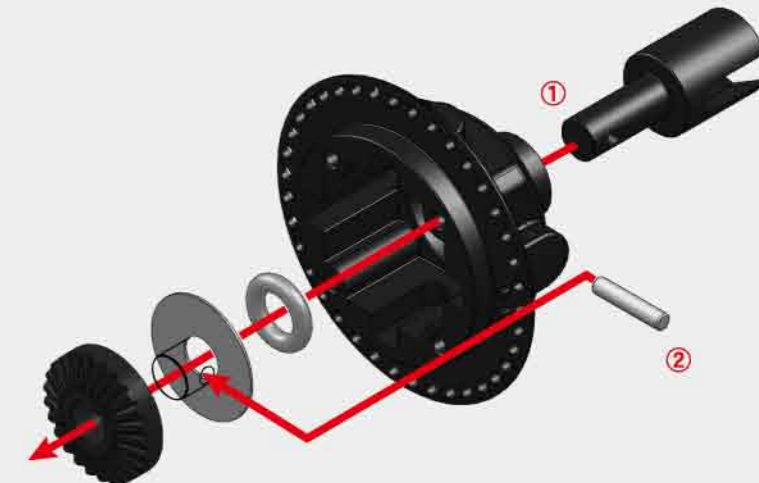
R104006
O'ring 5x2



R106101
Ø 2 x 9.8 mm

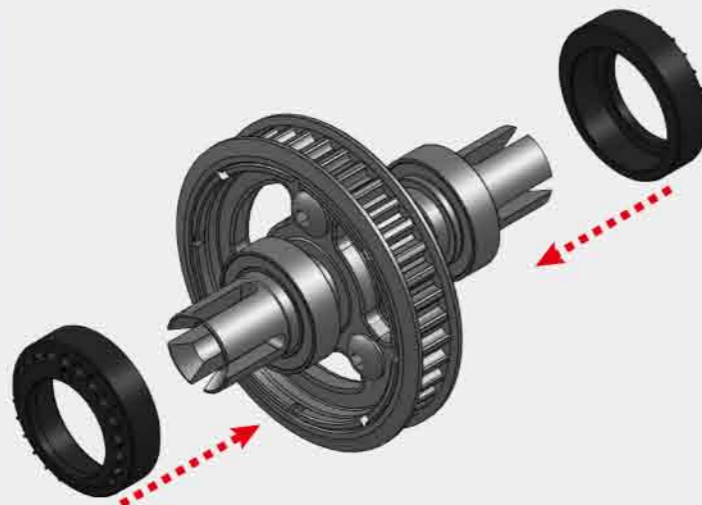



Notice:
Fix the injection point of gear edge.



BAG 01

R10101D
Eccentric Hub

BAG 01

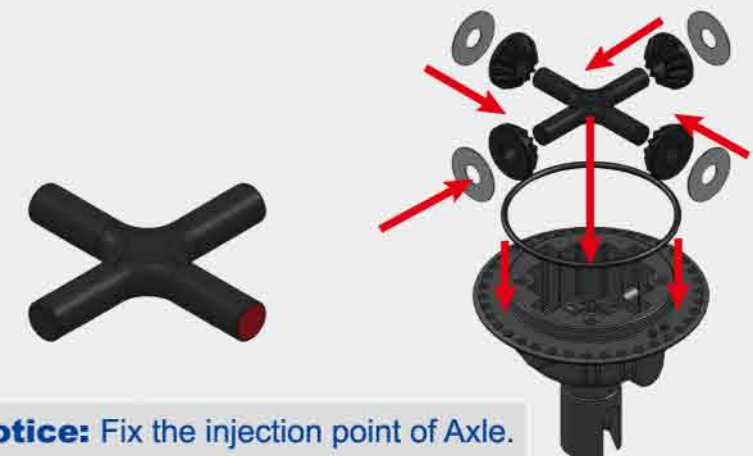
R101110
Gear Diff Set
x 4pcs



R103023
Gear Diff Shim small



R104005
O'ring 26x1

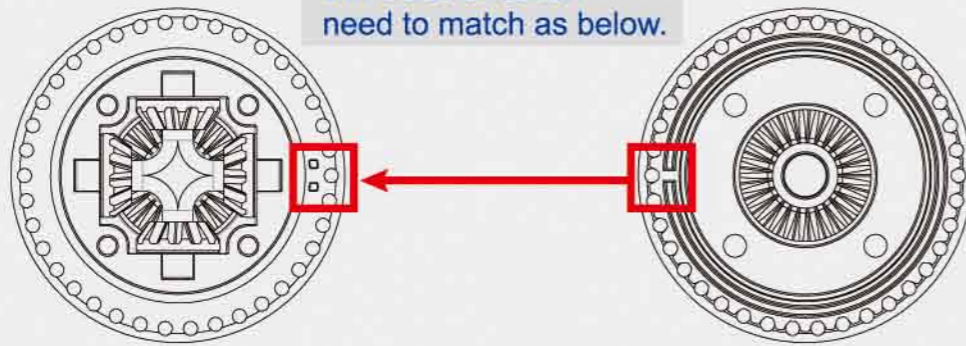
Notice: Fix the injection point of Axle.



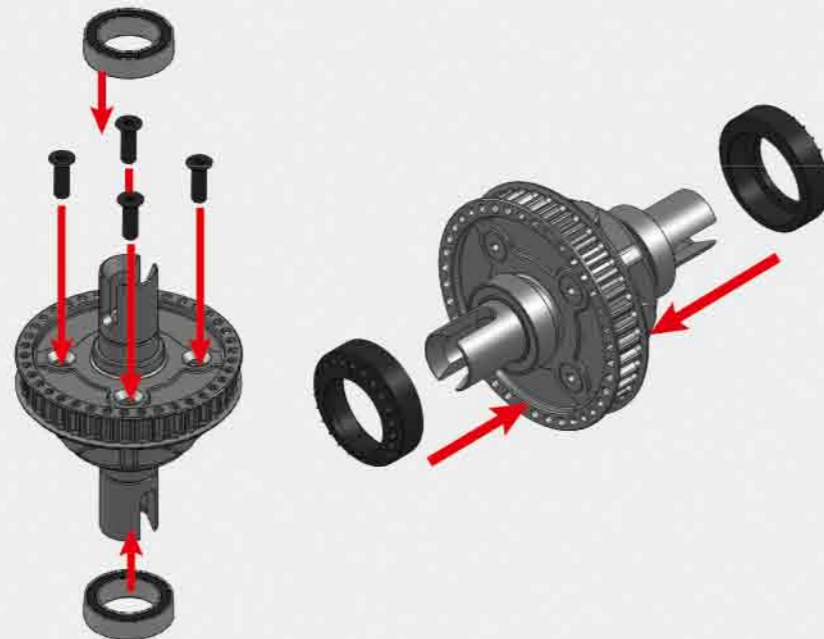
Silicone Oil #1000

Fill the shock oil just cover the gears
DO NOT FILL THE OIL OVER THE GEARS.

Notice:
Diff Case direction
need to match as below.



BAG 01



BAG 02



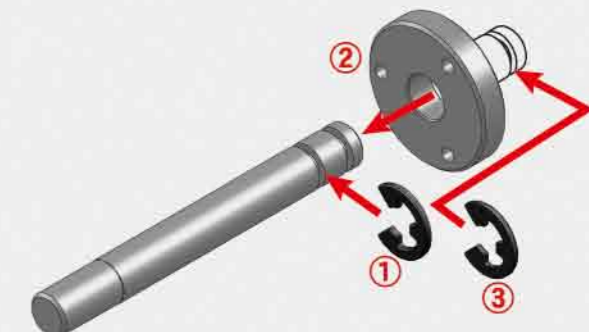
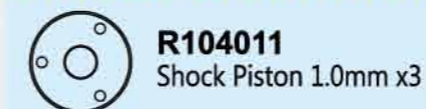
BAG 02



Apply Oil Before Assemble



BAG 02



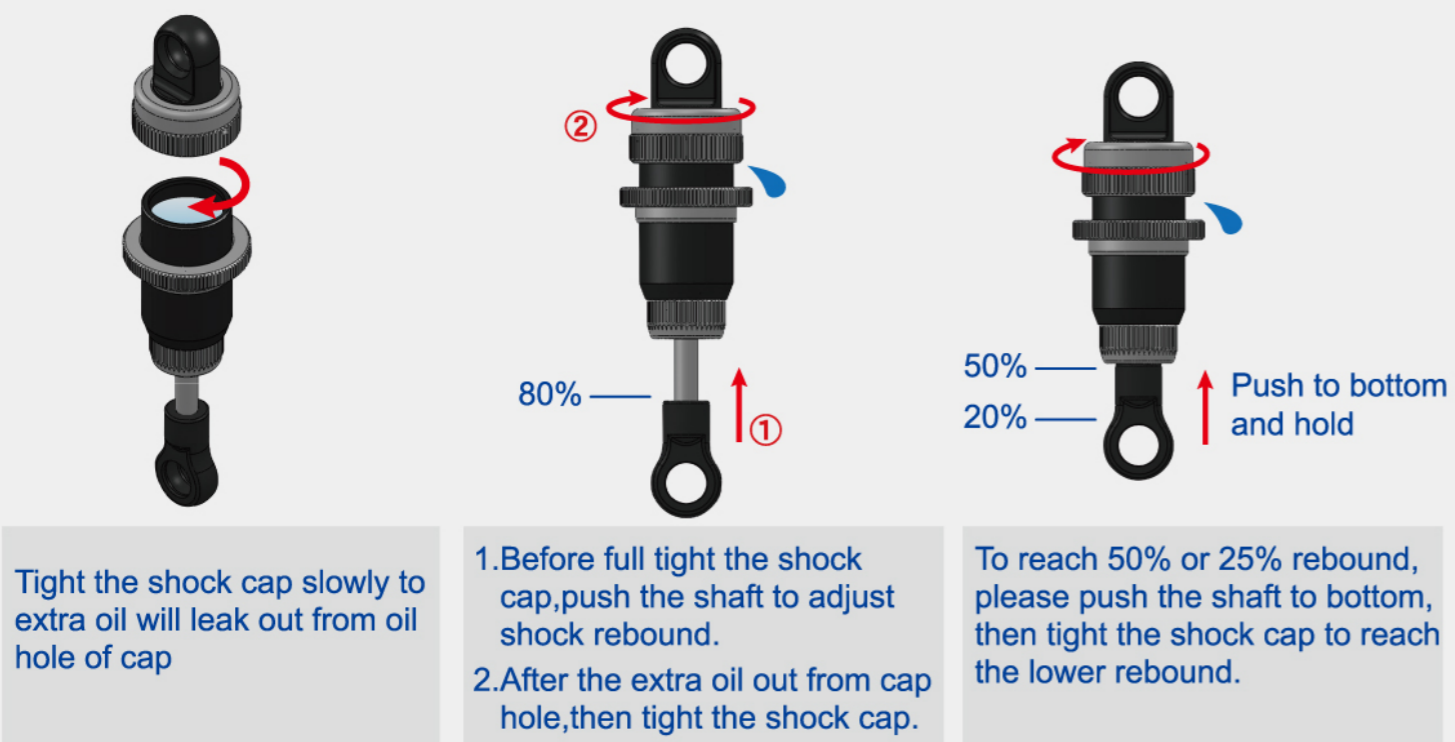
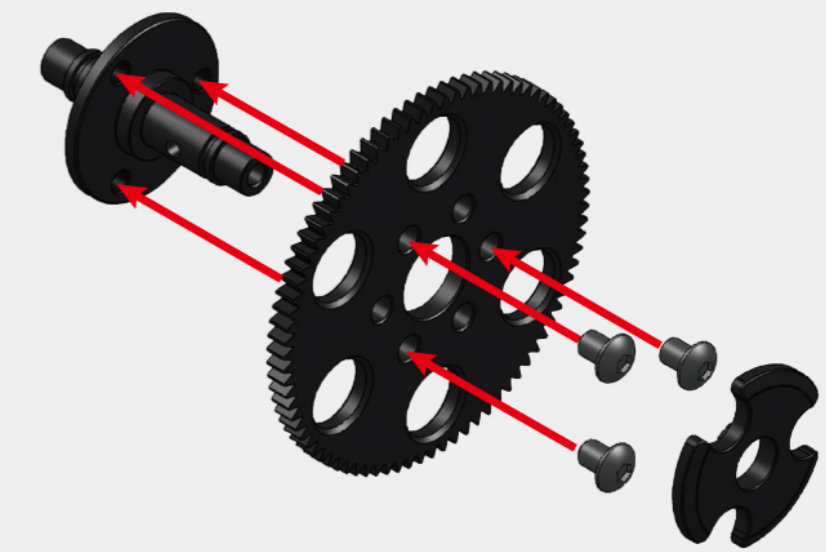


BAG 03

R10102C
19T Belt Pulley Set

R102004
Spur Axle Alu

R105103
3 x 4 mm

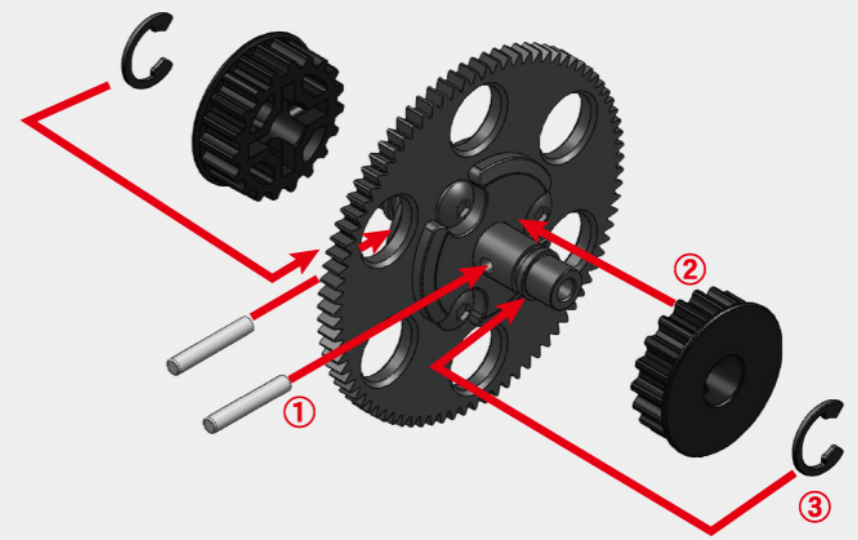


BAG 03

R10102C
19T Belt Pulley Set

R105502
C-Clip 5 mm

R106104
Ø 2 x 11.8 mm



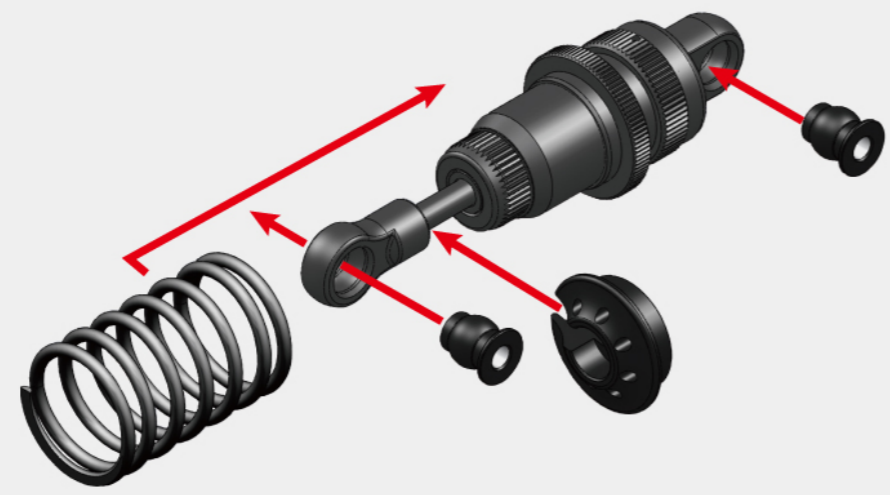
BAG 02

R103009
5.8mm Ball End

R101040
Shock Ball Joint Set

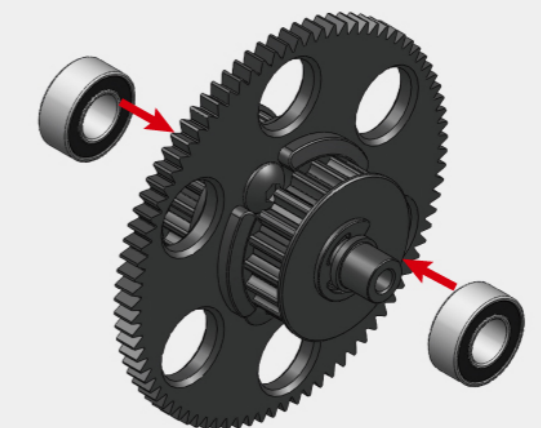
R107032
Front Shock Spring (Yellow)

R107031
Rear Shock Spring (Green)

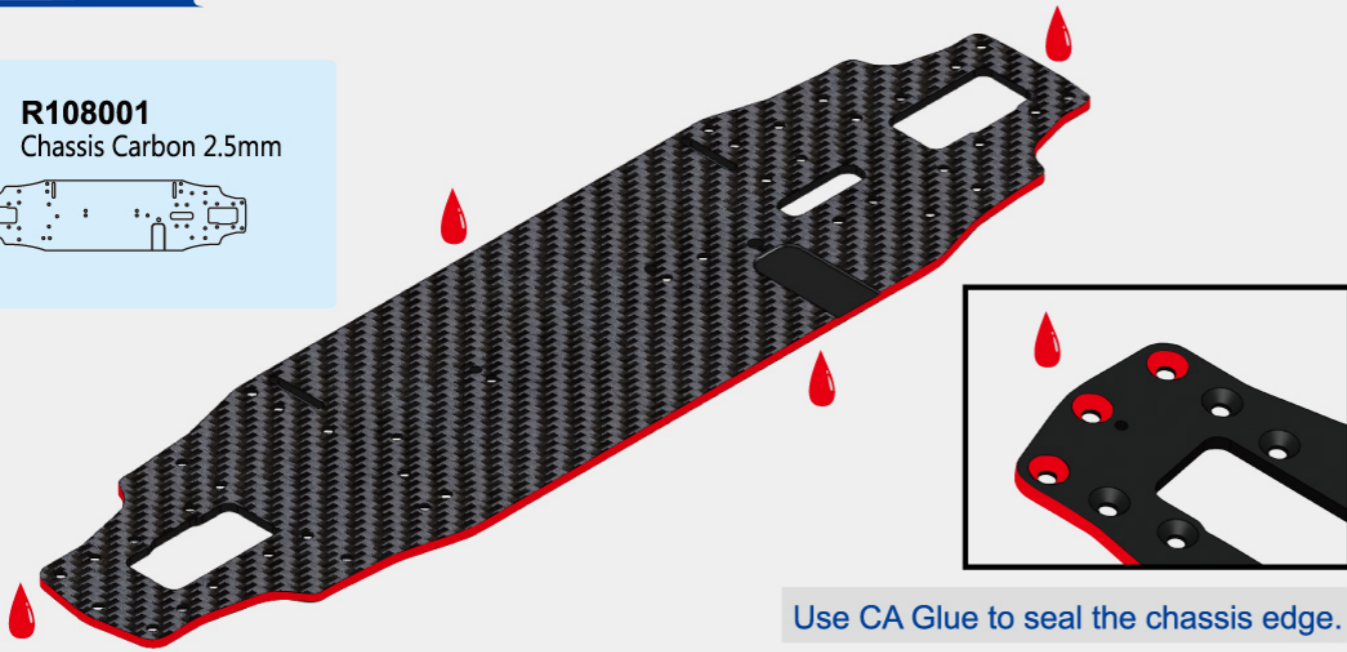
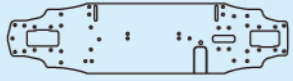


BAG 03

R106011
5 x 10 x 4 mm



R108001
Chassis Carbon 2.5mm



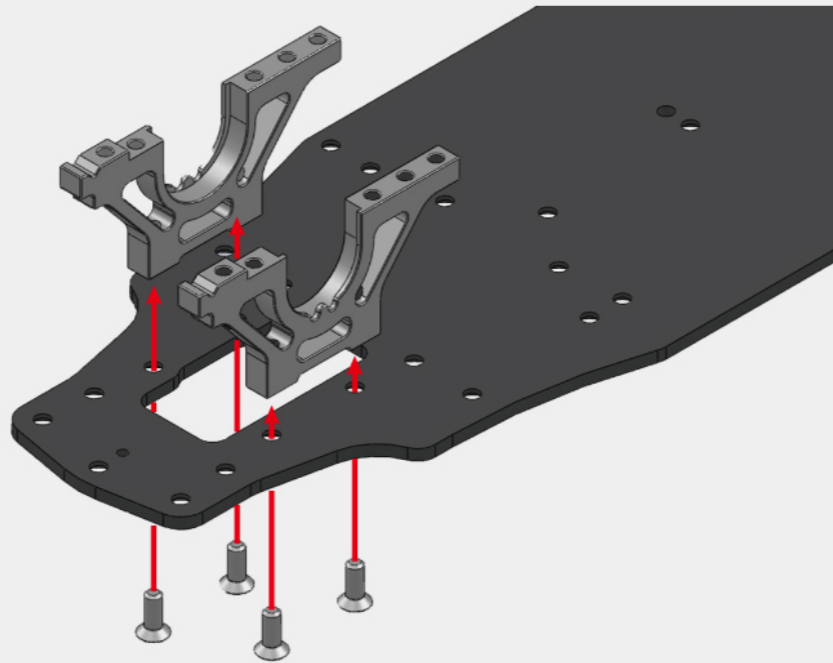
Use CA Glue to seal the chassis edge.

BAG 03

R102501
Bulkhead Alu FL/RR

R102502
Bulkhead Alu FR/RL

R105204
3 x 8 mm



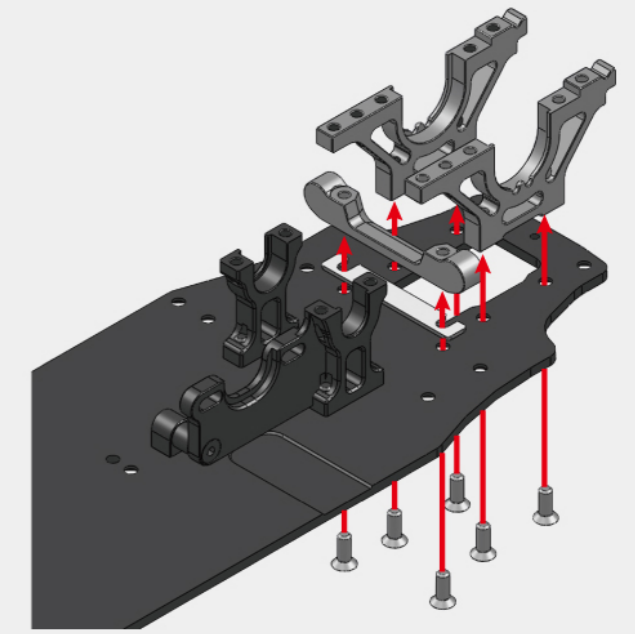
BAG 03

R102501
Bulkhead Alu FL/RR

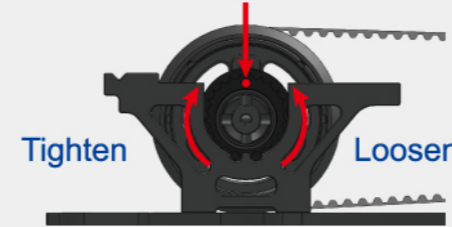
R105204
3 x 8 mm

R102502
Bulkhead Alu FR/RL

R102510
Suspension Alu Bracket#0



Initial Position

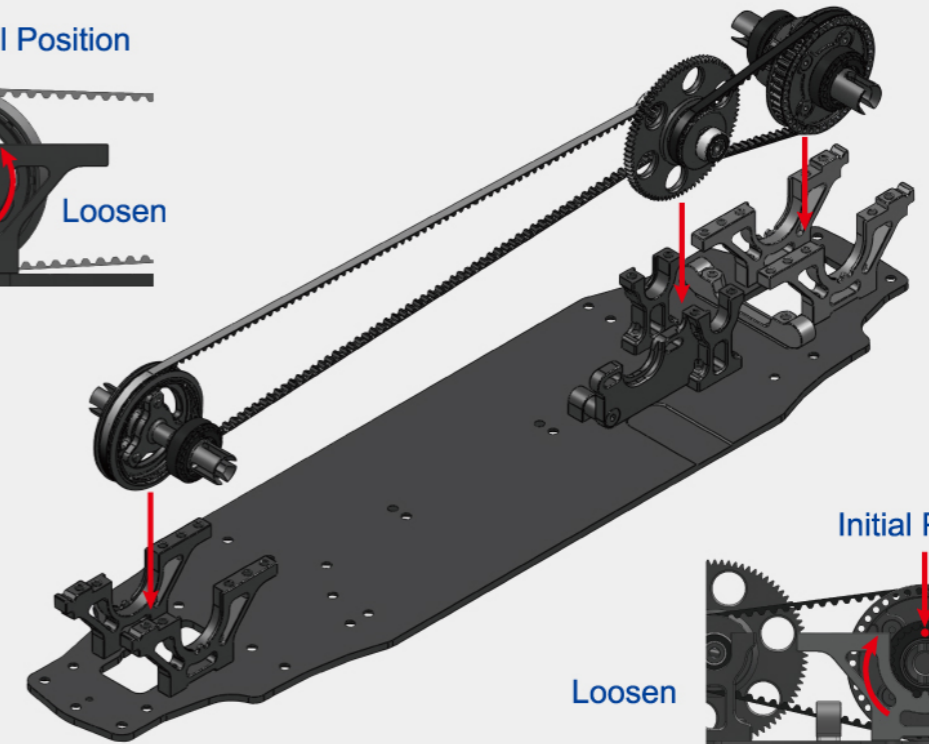


BAG 03

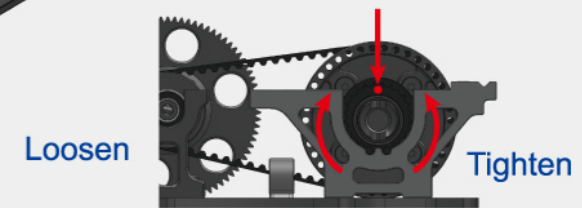
R104050
Front Belt Rubber



R104051
Rear Belt Rubber



Initial Position



BAG 03

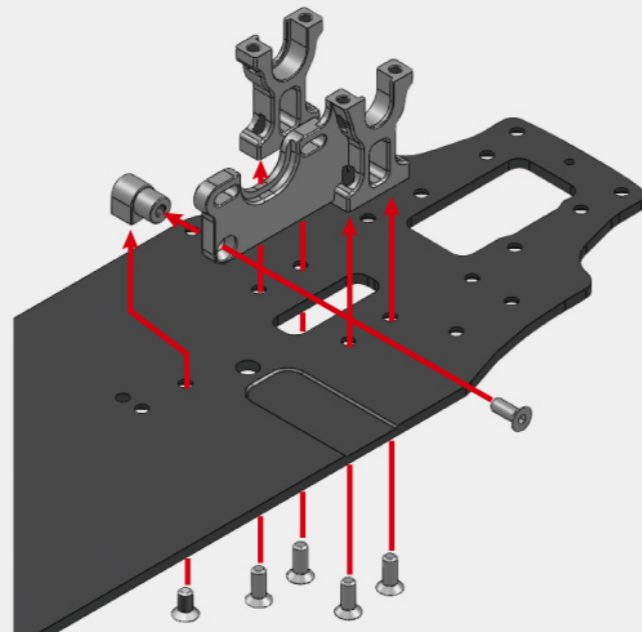
R102505
Middle Belt Mount Alu

R102506
Motor Mount Alu

R102507
Motor Mount Nut Alu

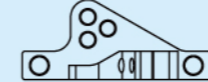
R105204
3 x 8 mm

R105203
3 x 6 mm



BAG 03

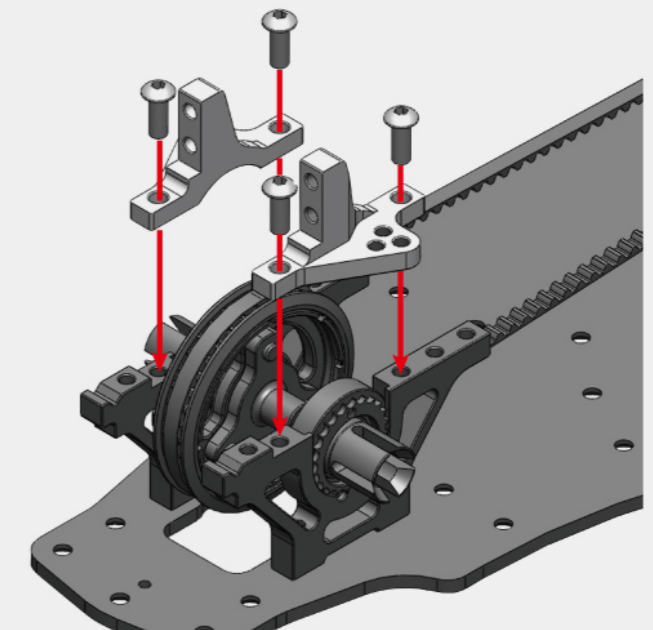
R102503
Bulkhead upper Alu FL/RR



R102504
Bulkhead upper Alu FL/RR

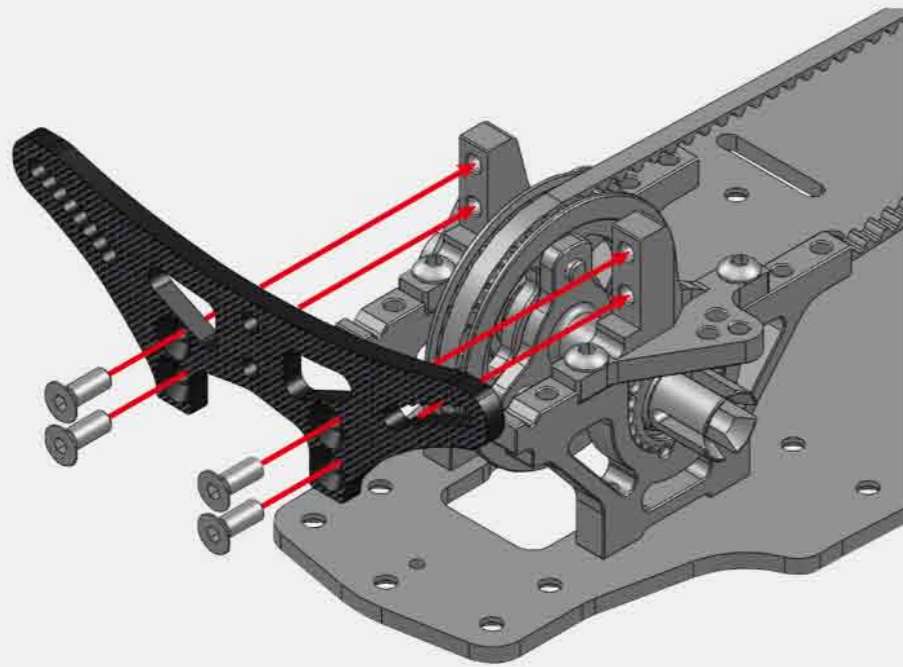


R105105
3 x 8 mm



BAG 03

R108003
Front Shock Tower Carbon

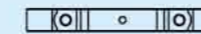


BAG 03

R103006
Steering Shaft

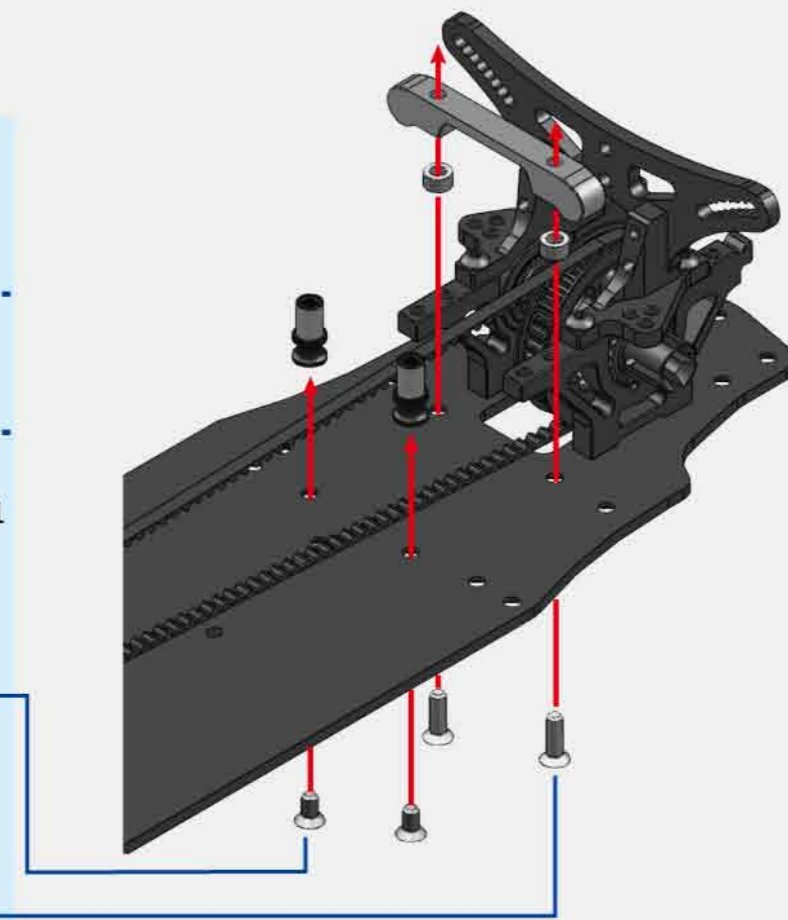
R102017
3 x 5.5 x 3mm

R102512
Suspension Alu Bracket#1



R105203
3 x 6mm

R105205
3 x 10mm

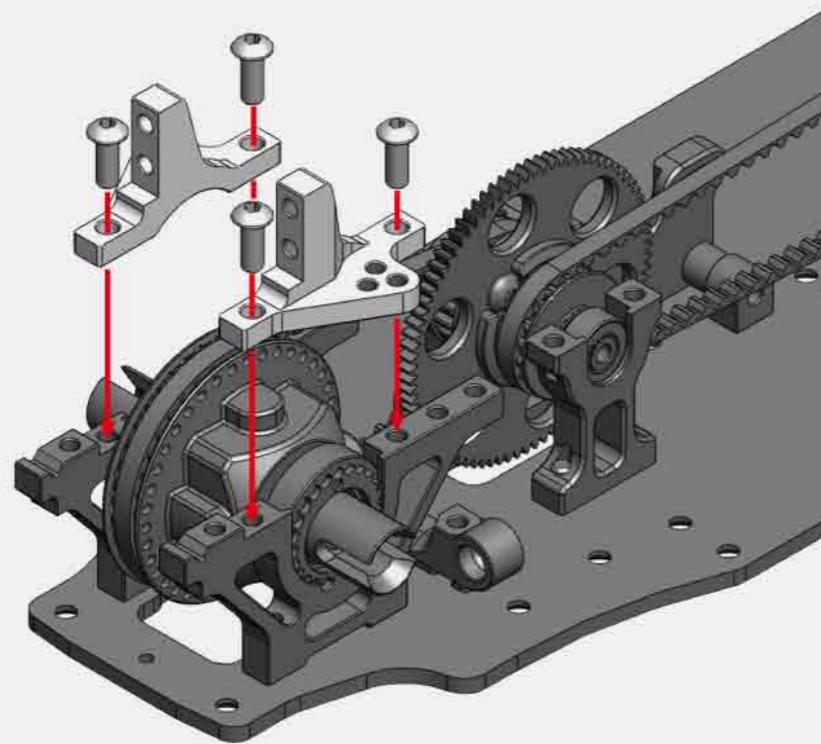
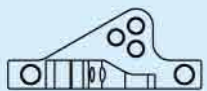


BAG 03

R102503
Bulkhead upper Alu FL/RR



R102504
Bulkhead upper Alu FL/RR

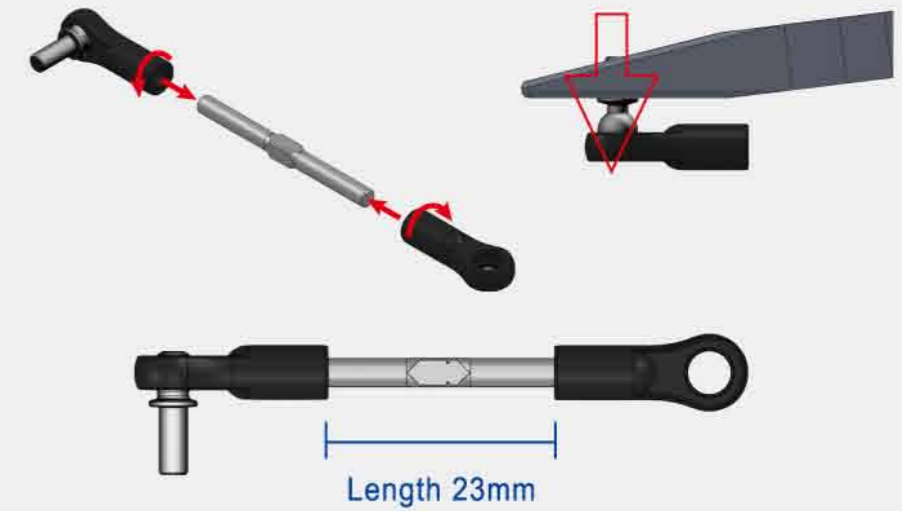


BAG 04

R10107A
Ball Joint 4.9mm open

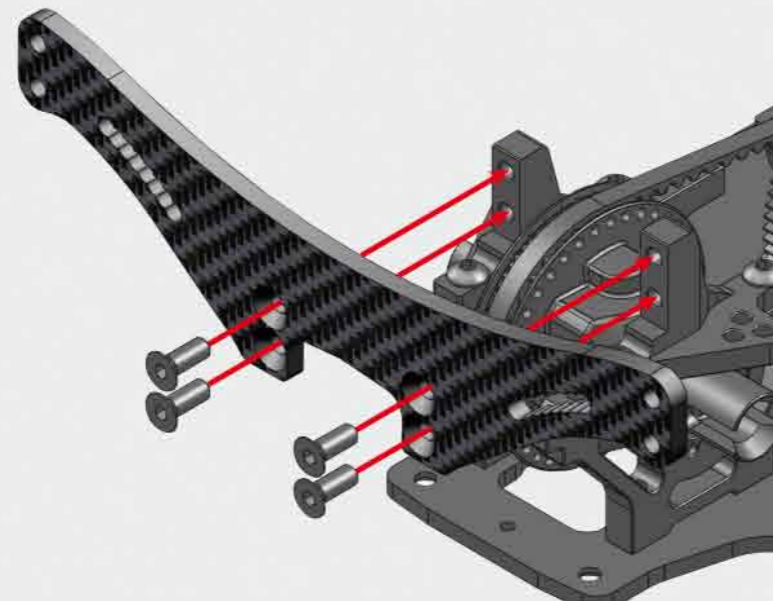
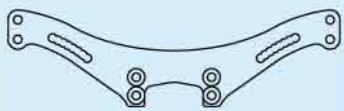


R103017
4.9mm Ball End Med



BAG 03

R108004
Rear Shock Tower Carbon



BAG 04

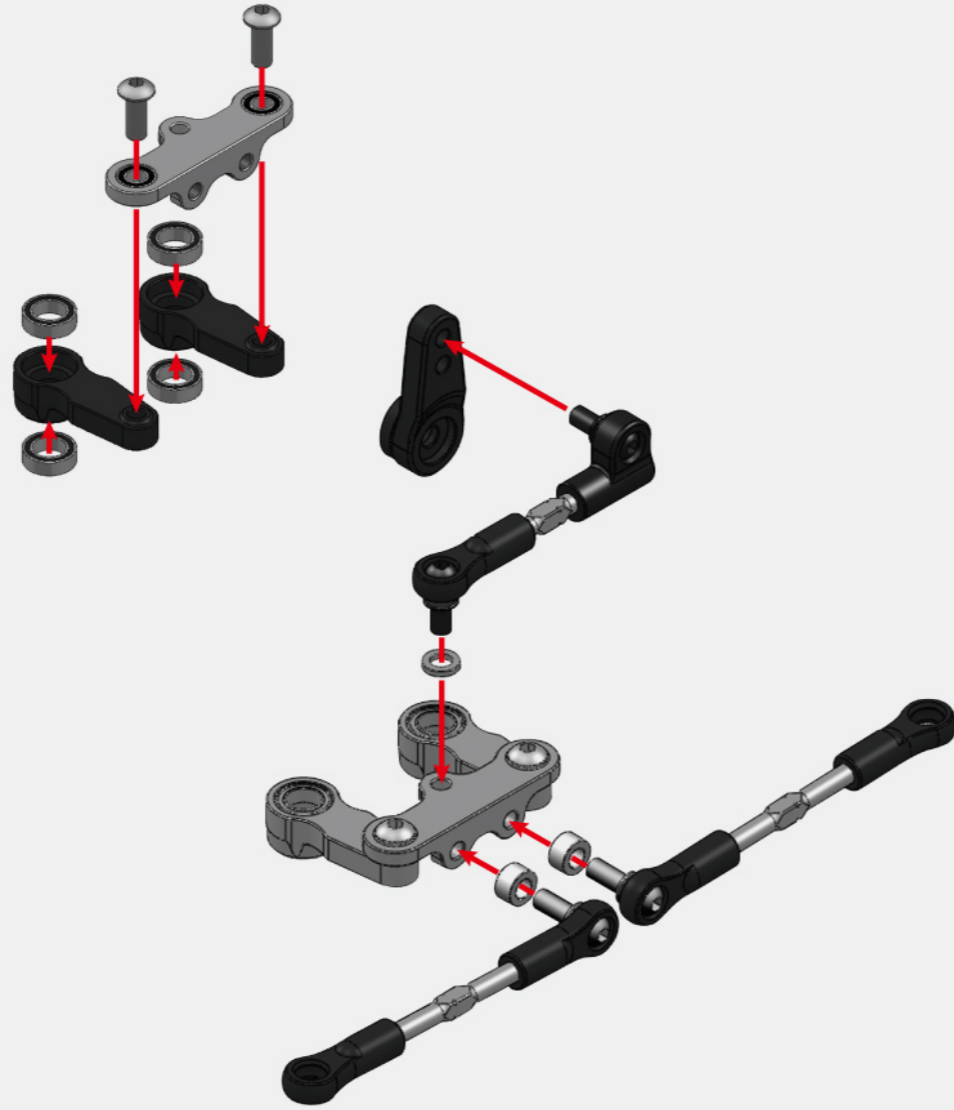
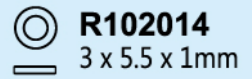
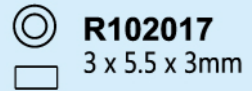
R10107D
Steering Rod Ball Joint



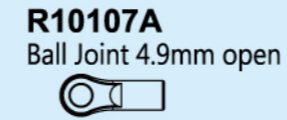
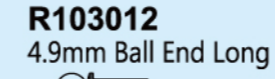
R103011
4.9mm Ball End Short



BAG 04



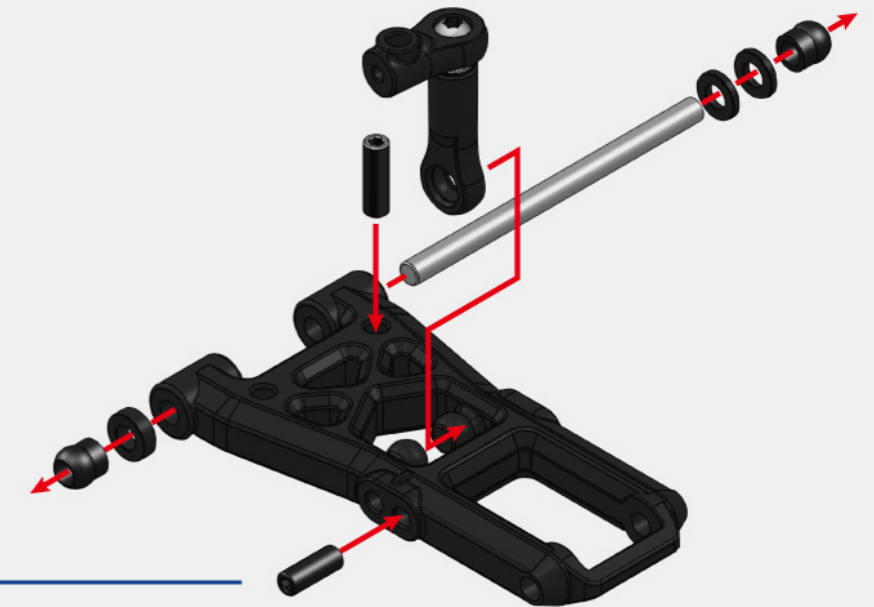
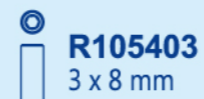
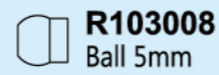
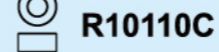
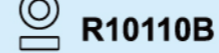
BAG 04



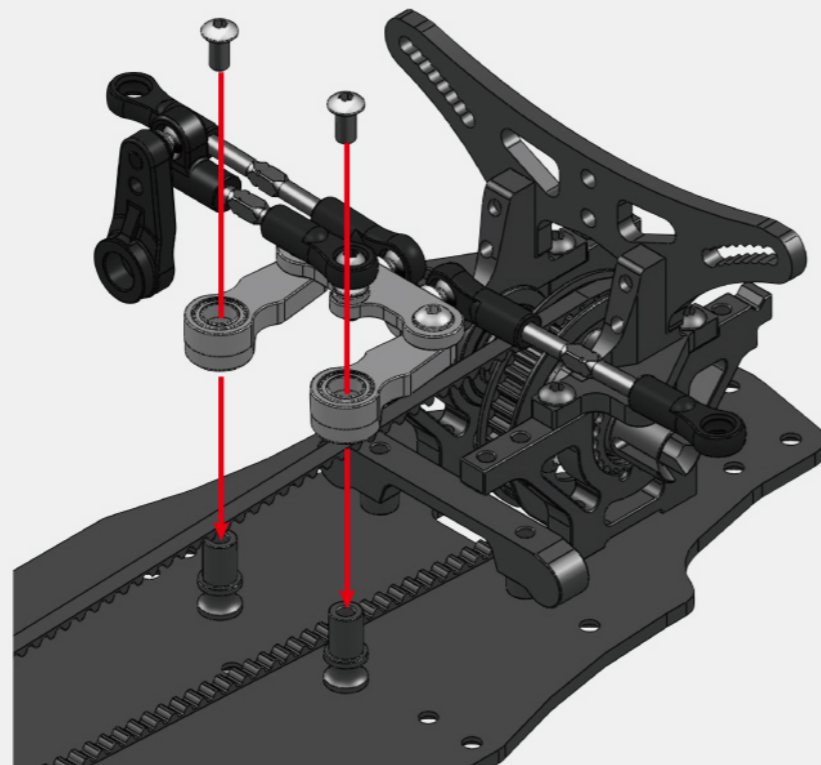
Push the joint into Ball end



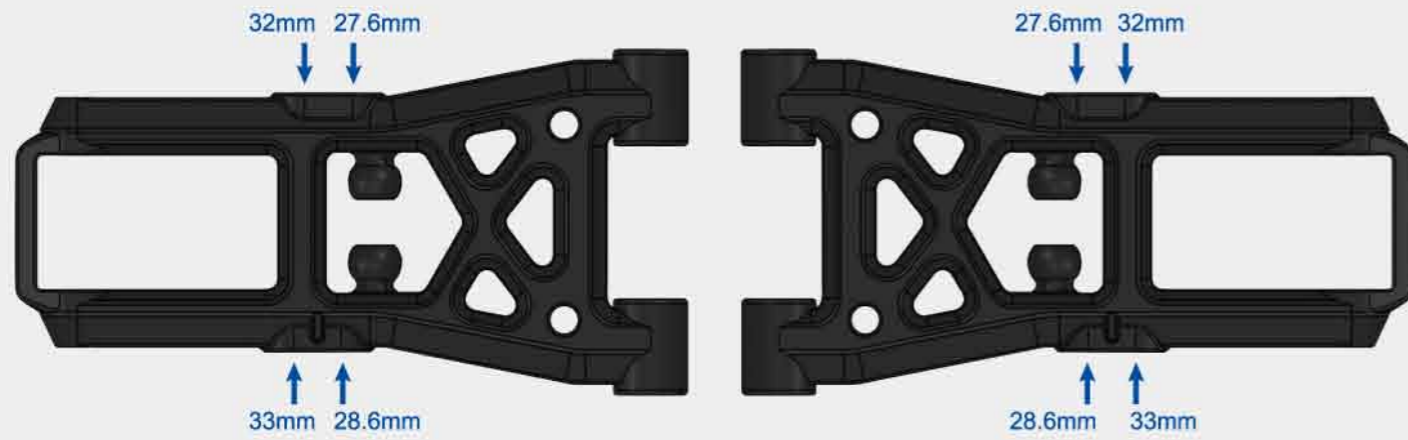
BAG 04



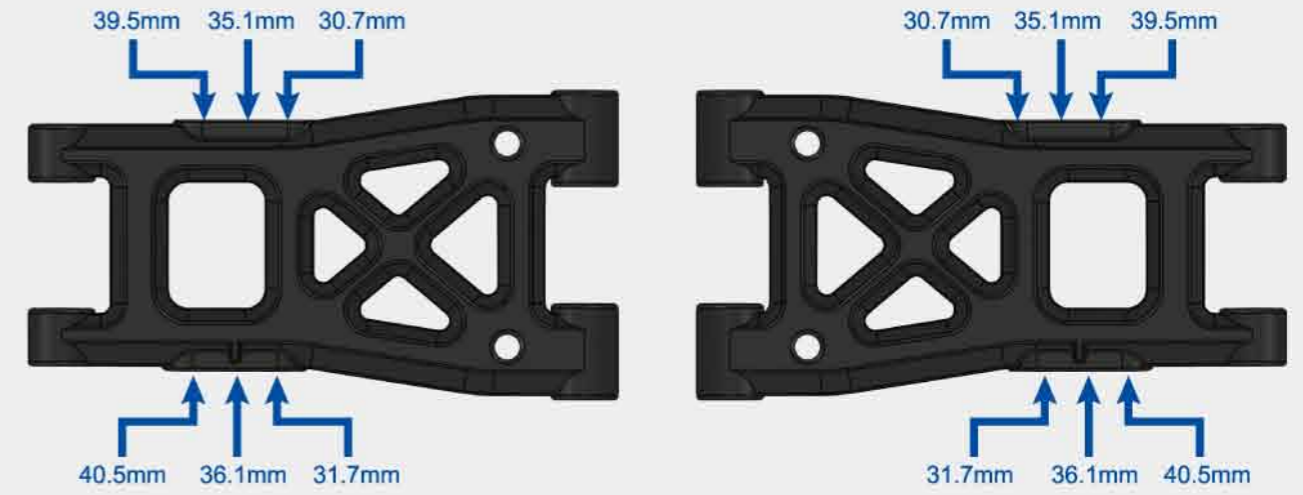
BAG 04



Rear low Arm with 6 different position for shock and anti-roll bar. make sure use right /left side use same side when assemble.



Front low Arm with 4 different shock position make sure right /left side use same side when assemble.



BAG 04

R102514
Suspension Alu Bracket#2

R103022
Roll Center Shim 1.0mm

R105204
3 x 8 mm

BAG 04

R10110R
Low Arm R Set with Shim

R103012
4.9mm Ball End Long

R103011
4.9mm Ball End Short

R10110A

R10110B

R10110C

R103008
Ball 5mm

R103014
Pivot Pin Inner

R105404
3 x 10 mm

R105403
3 x 8 mm

BAG 04

R105404
3 x 10 mm

R105403
3 x 8 mm



BAG 05

R107001
CVD G-Clip

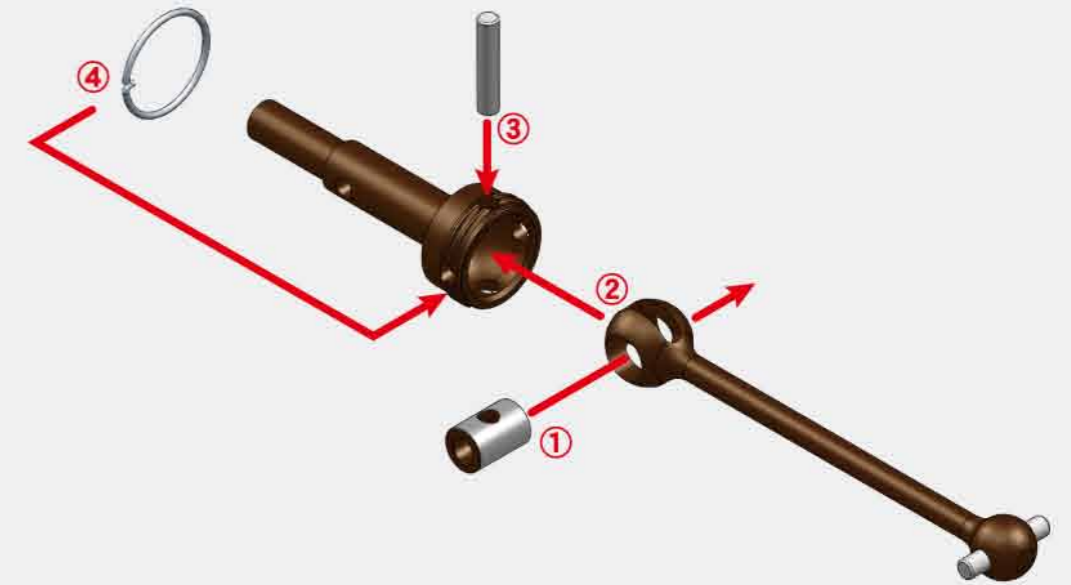
R103002
Wheel Axle

R103003
CVD Rear 44mm

R103004
CVD Front 45.5mm

R103005
CVD Insert

R106102
Ø 2 x 10 mm

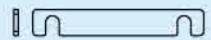


BAG 04

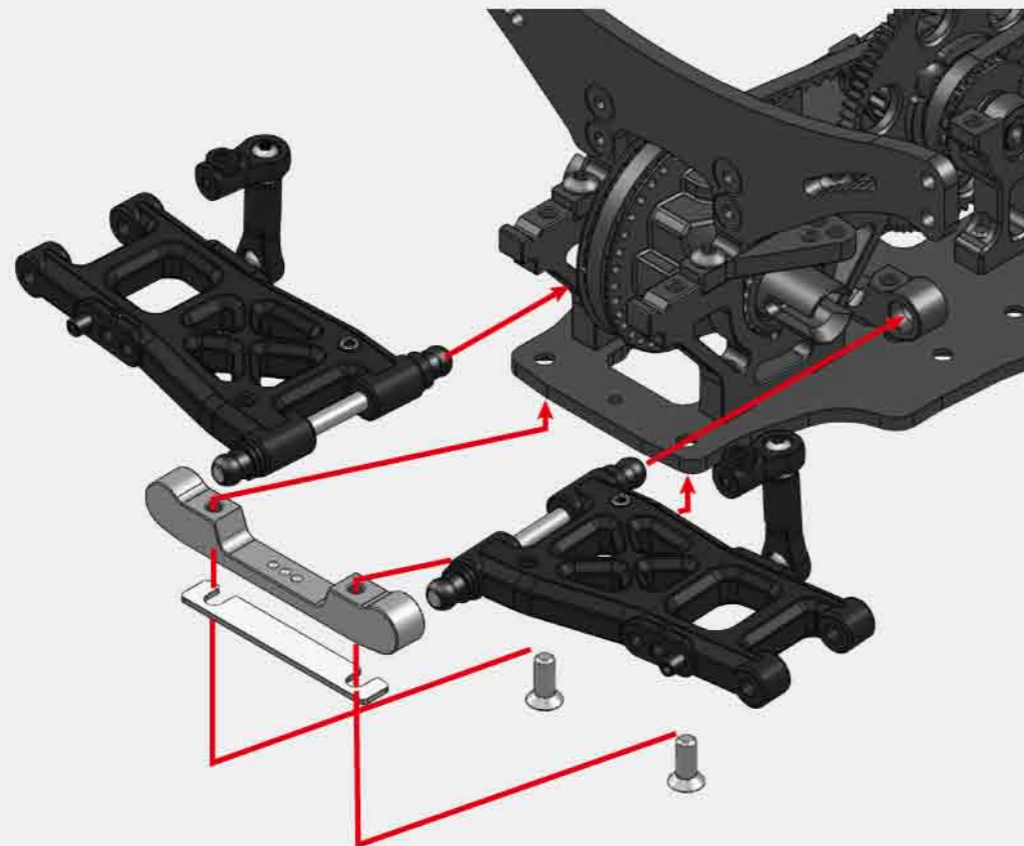
R102516
Suspension Alu Bracket#3



R103022
Roll Center Shim 1.0mm



R105204
3 x 8 mm



BAG 05

R10103
C Cap 3.5mm

R102005
Hex Wheel Hub Alu

R10109R
Steering Block and Upright

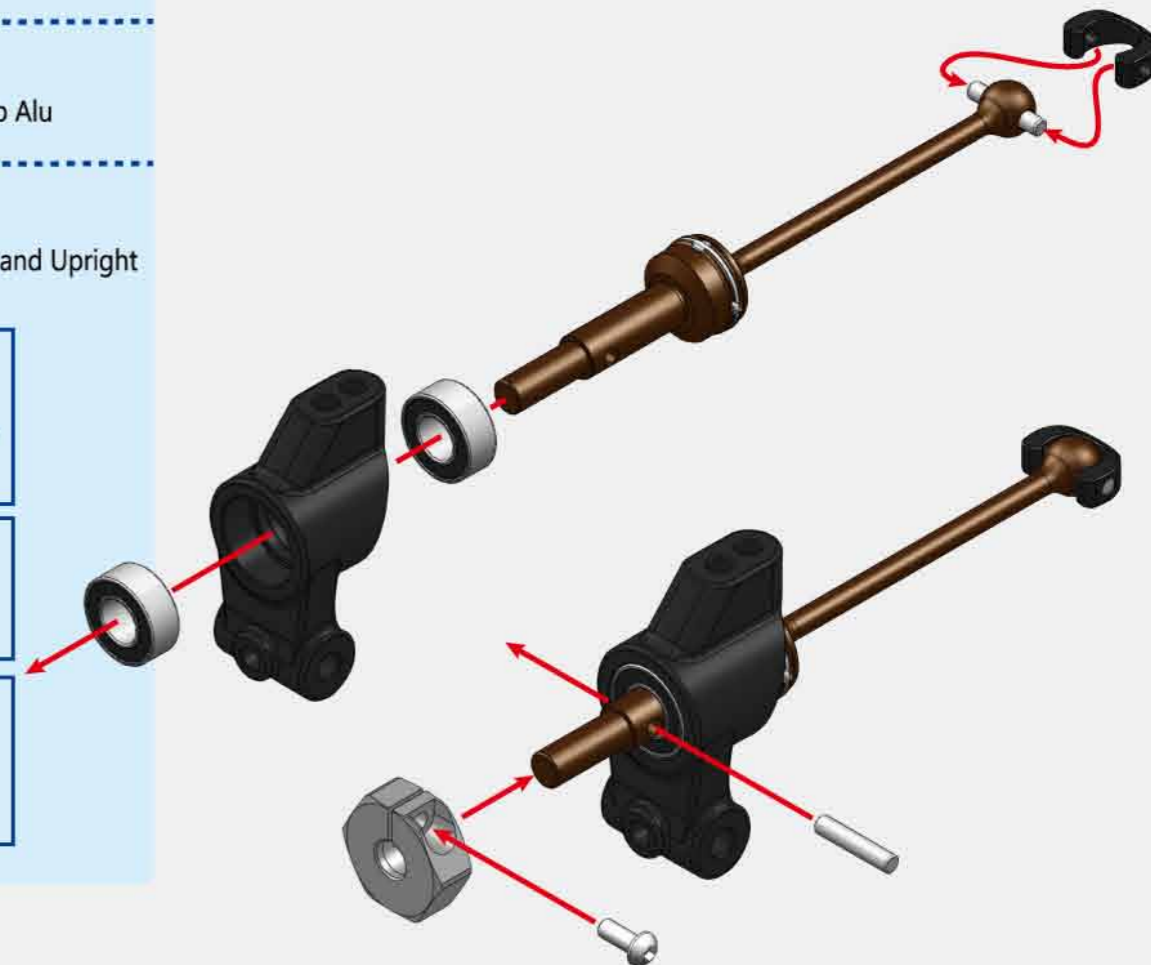
R106011
5 x 10 x 4 mm

R106101
Ø 2 x 9.8 mm

R105101
2 x 5 mm

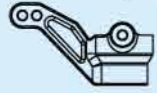


Rear CVD 44mm



BAG 05

R10109F
Steering Block and Upright

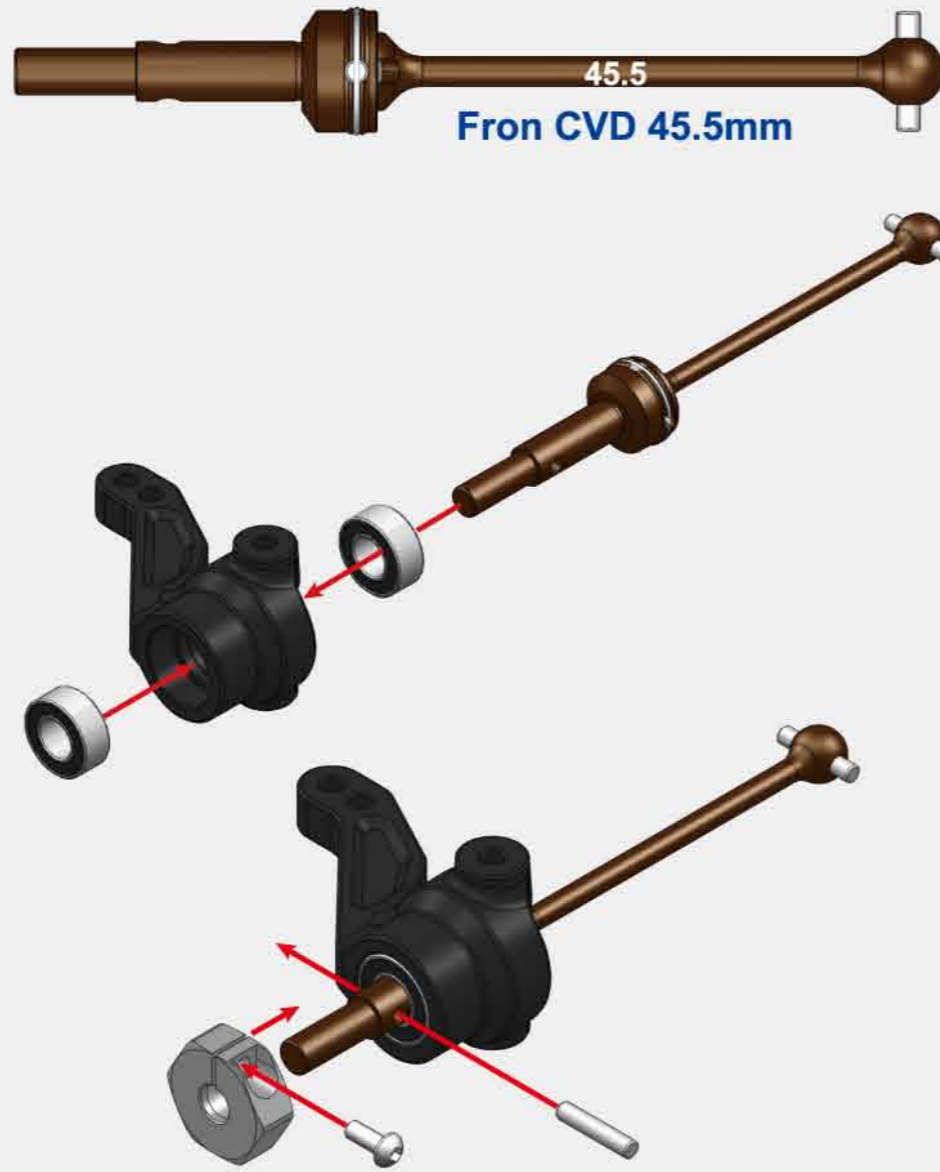


R102005
Hex Wheel Hub Alu

R10108
C-Hub 4 Right

R103007
Steering Block Bushing

R105105
3 x 8 mm



BAG 05

R103007
Steering Block Bushing

R101080
C-Hub 4 Left

R105105
3 x 8 mm



BAG 05

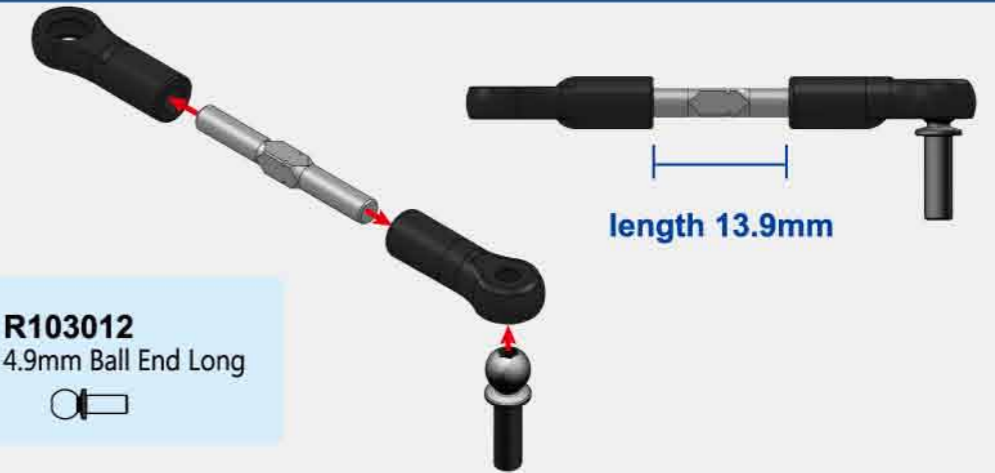
R10107A
Ball Joint 4.9mm open



R10107B
Ball Joint 4.9mm Closed



R103012
4.9mm Ball End Long

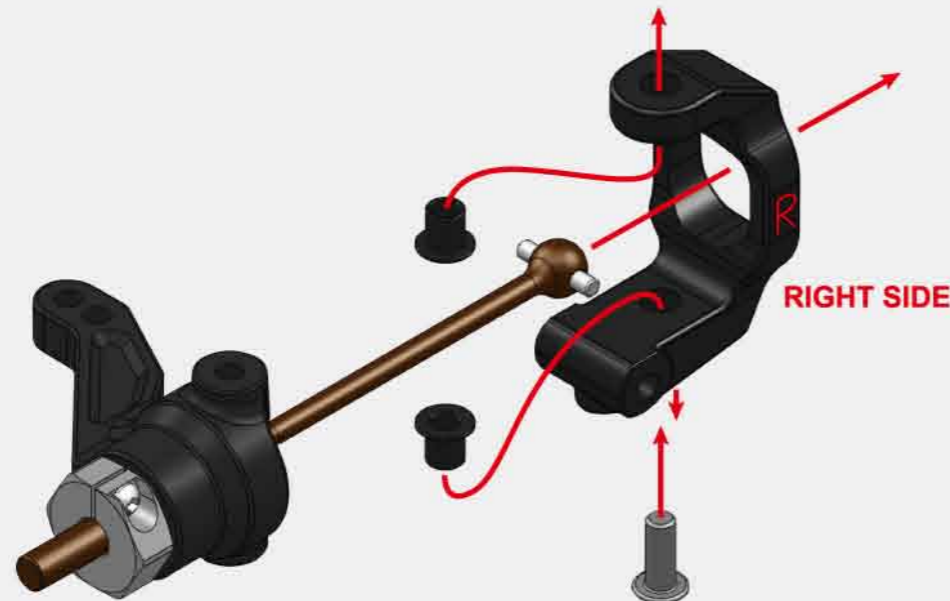


BAG 05

R103007
Steering Block Bushing

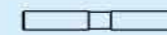
R101080
C-Hub 4 Right

R105105
3 x 8 mm



BAG 05

R103016
Pivot Pin Rear-Out
25mm



R103010
4.9mm Ball End Open



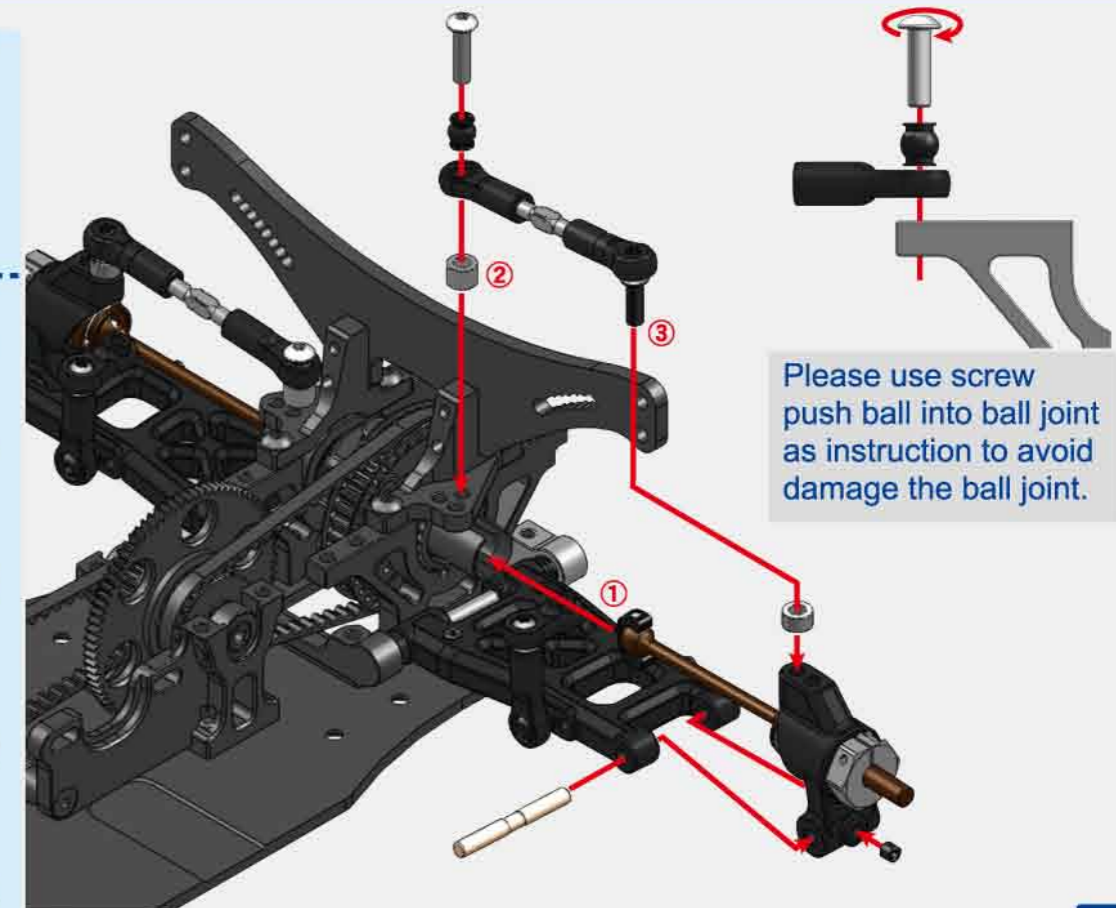
R102018
4 mm



R105108
3 x 14 mm

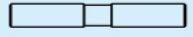


R102017
3 mm



BAG 05

R103015
Pivot Pin Fornt-Out
23mm

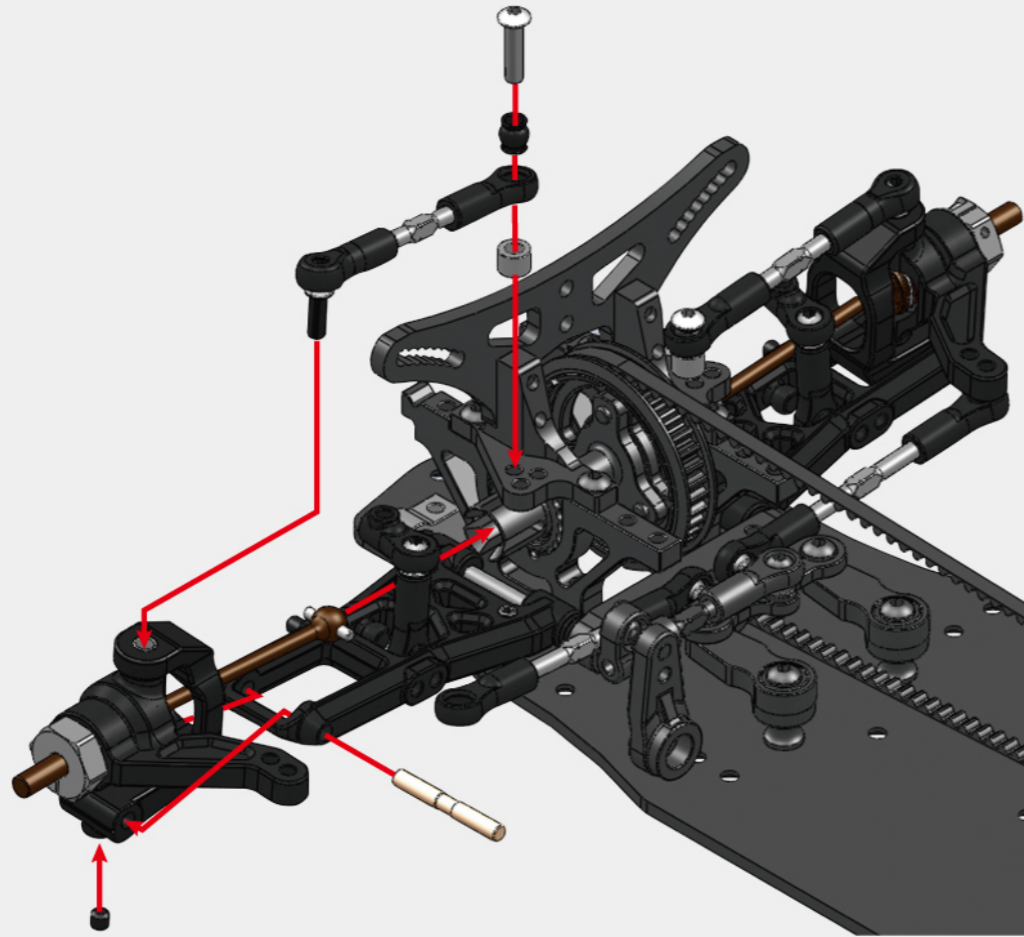


R102018
4 mm

R105108
3 x 14 mm



R105401
3 x 3 mm

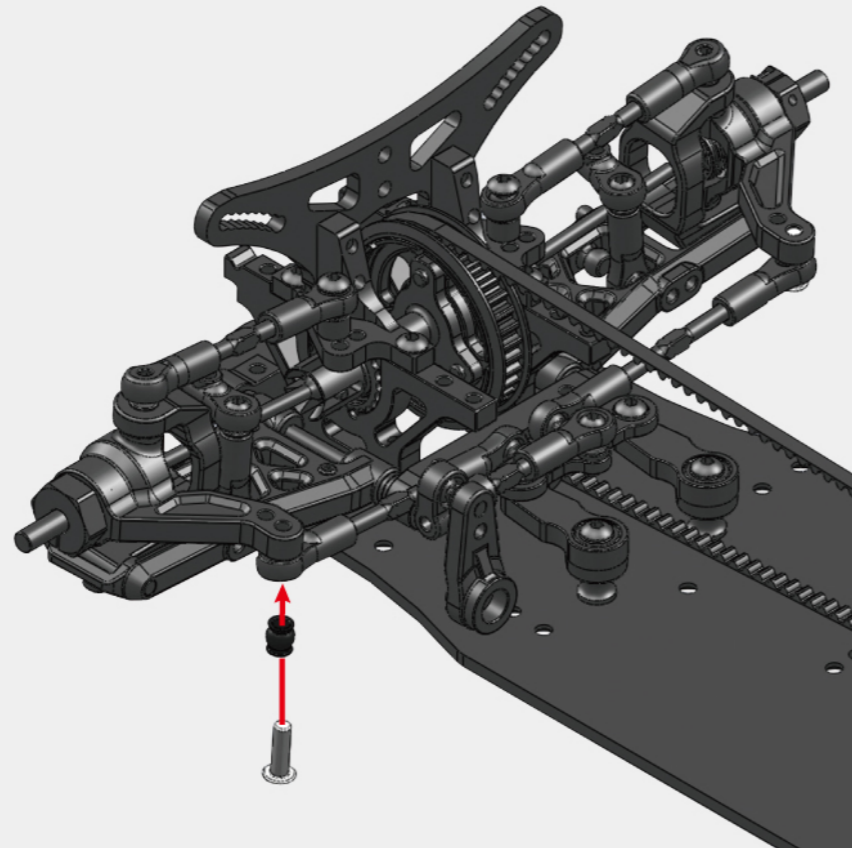


BAG 05

R103010
4.9mm Ball End Open



R105106
3 x 10 mm

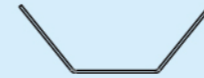


BAG 06

R10101C
Anti-Roll Bar Holder

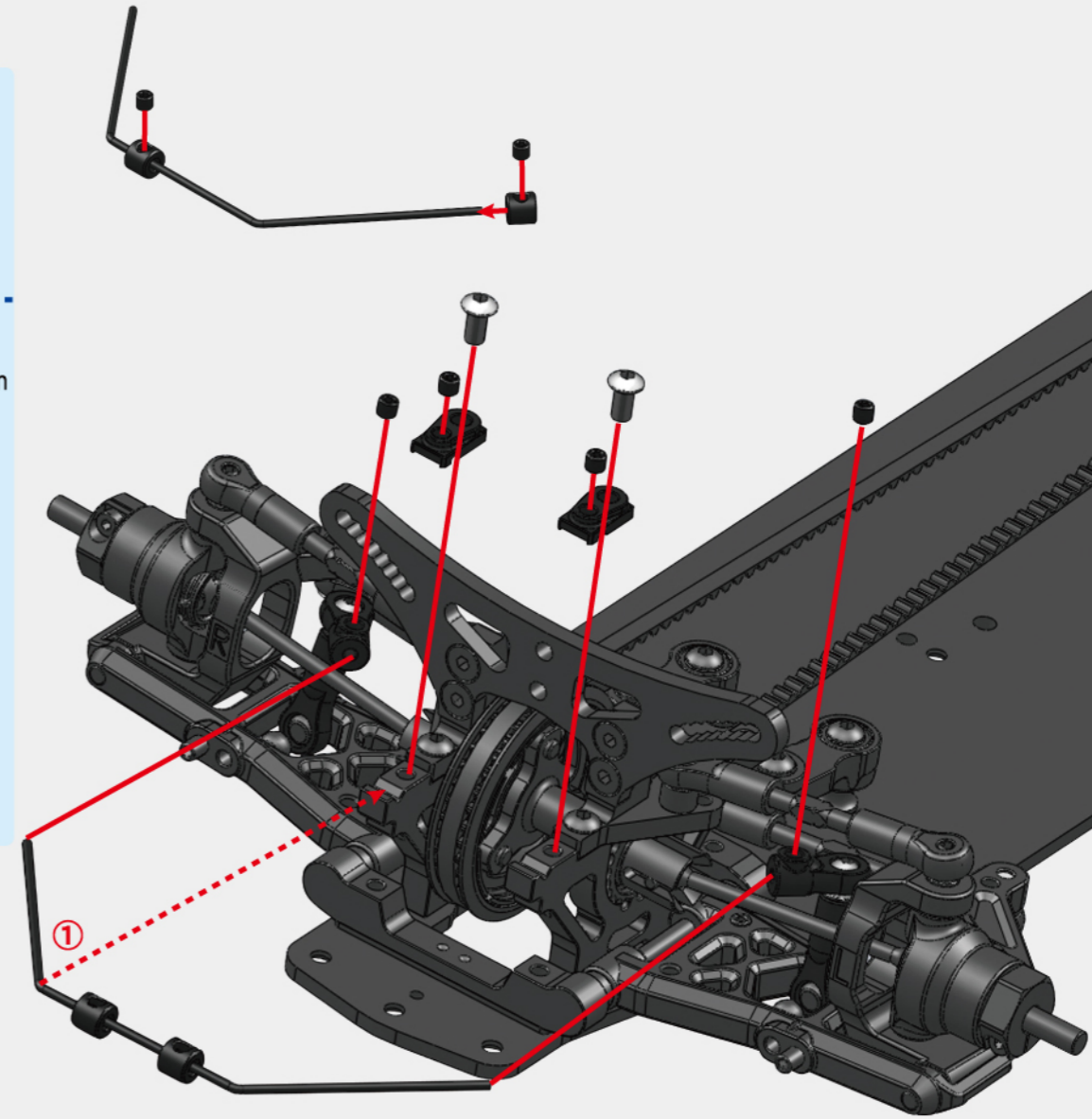


R107012
Front Anti-Roll Bar 1.4mm

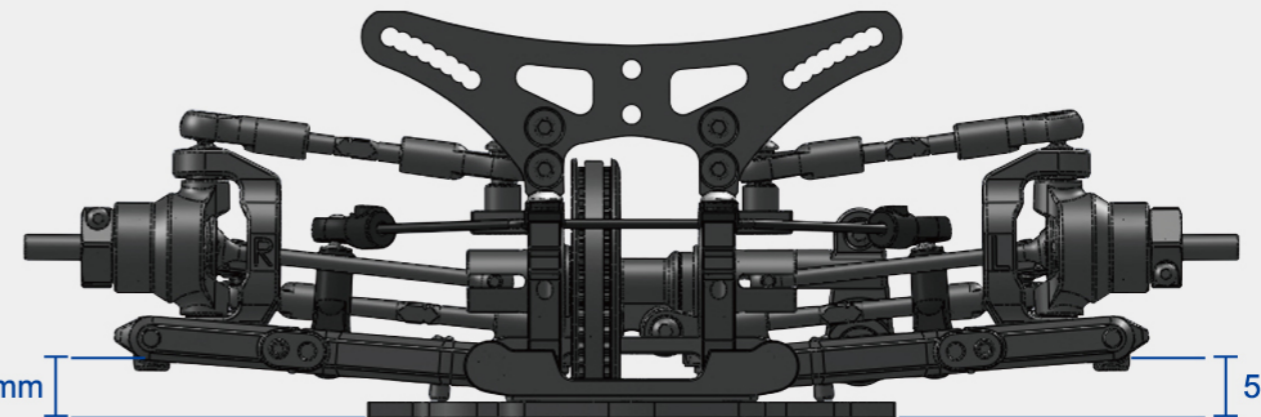


R105104
3 x 6 mm

R105401
3 x 3 mm



5mm
Initial Setup



5mm
Initial Setup

BAG 06

R10101C
Anti-Roll Bar Holder

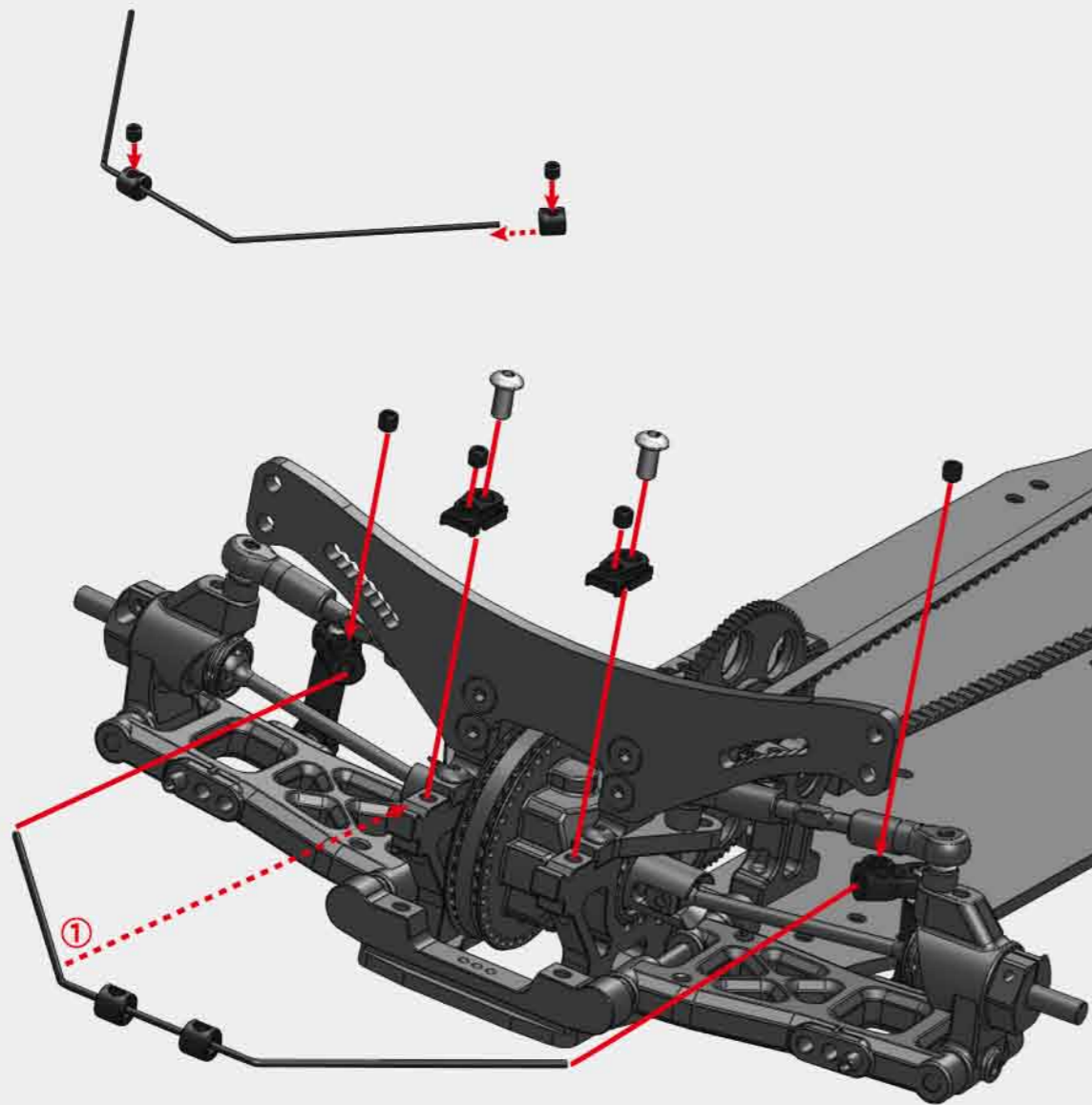


R107013
Rear Anti-Roll Bar 1.2mm

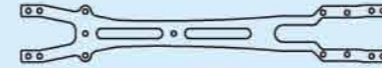


R105104
3 x 6 mm

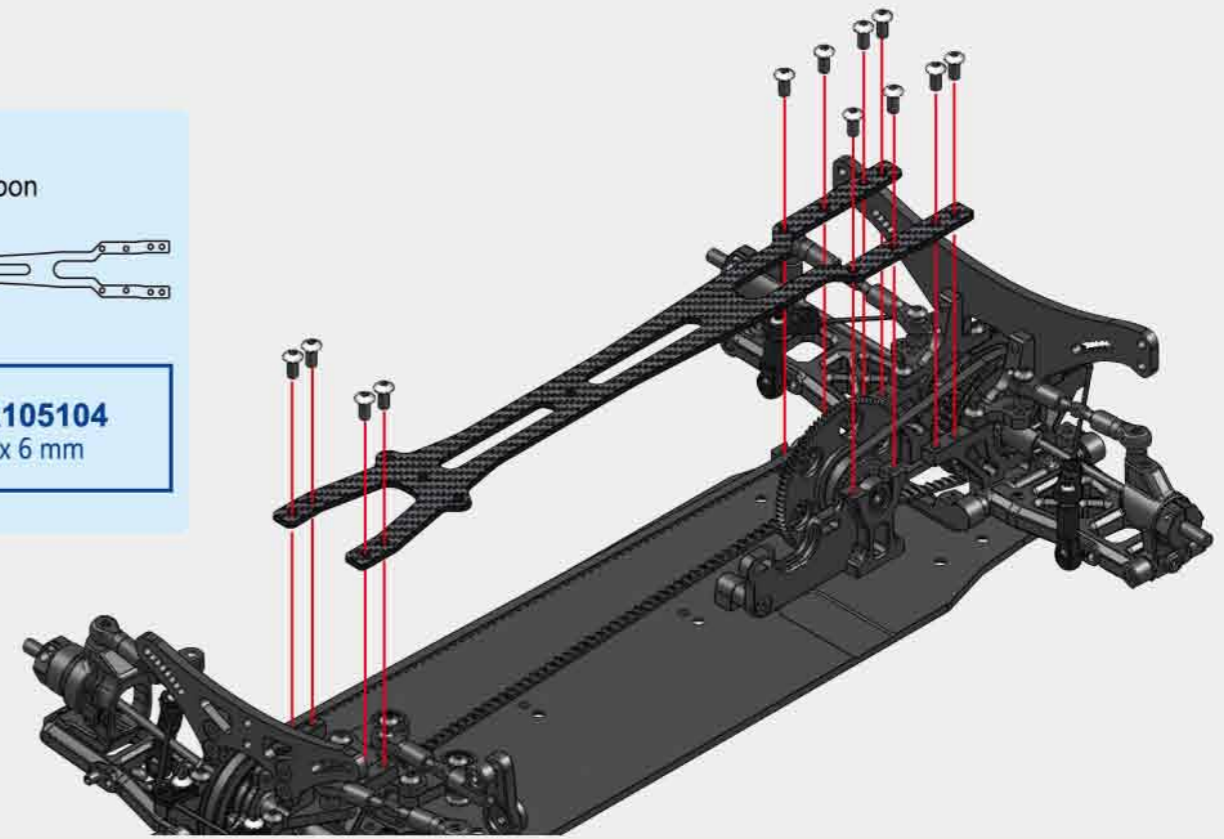
R105401
3 x 3 mm



R108002
Upper Deck Carbon



R105104
3 x 6 mm



BAG 06

R10105A
Bumper Set



R105104
3 x 6 mm



Mylaps transponder base
(Not Included)

BAG 06

R10105A
Bumper Set



R10105C
Body Tower Set

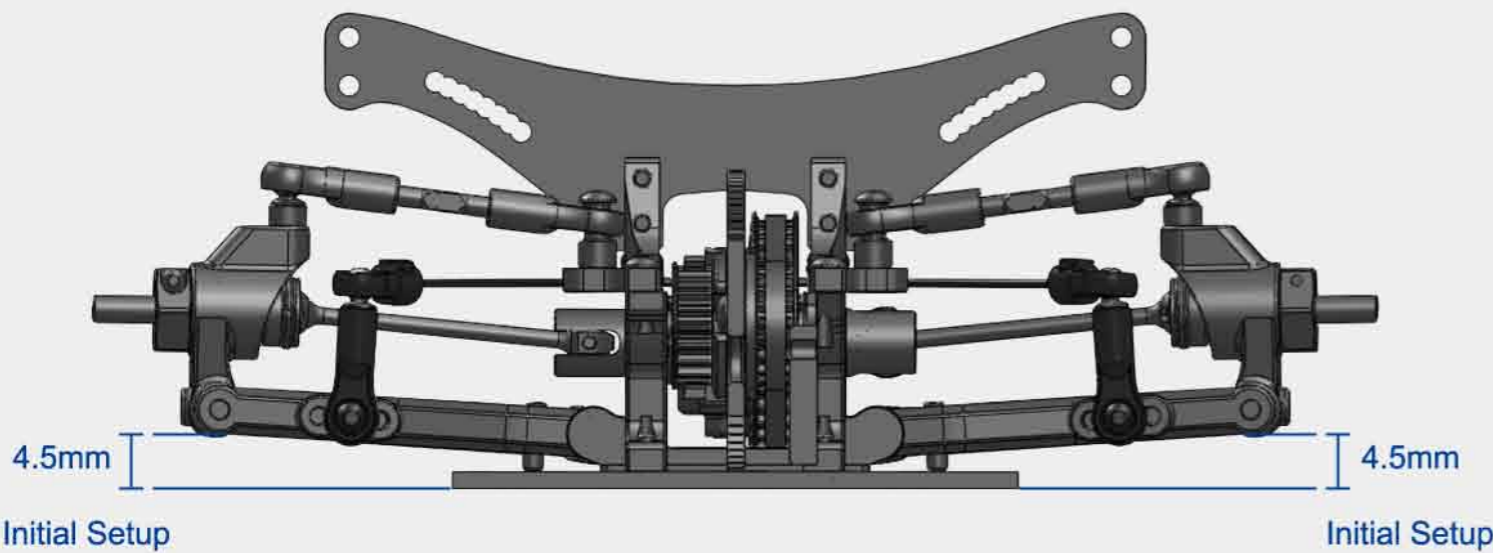
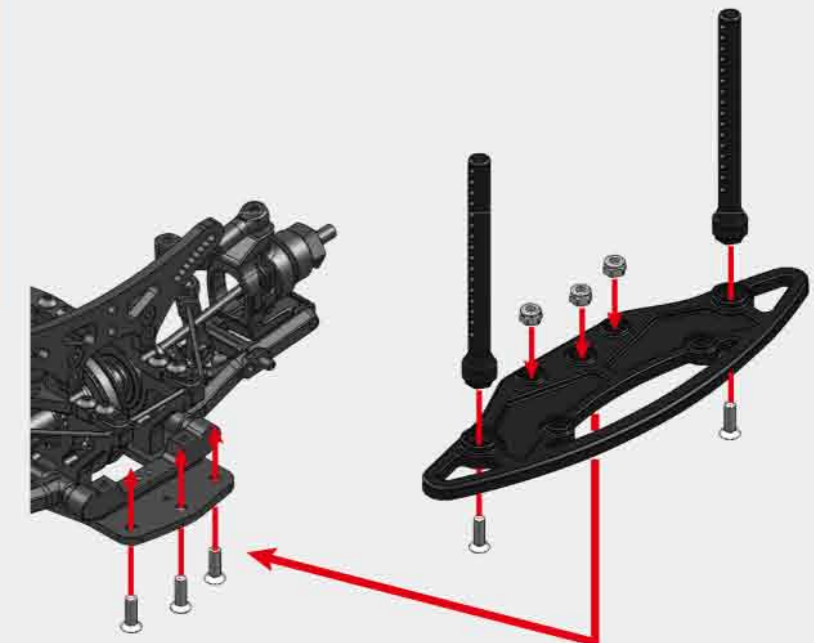


R105205
3 x 10mm

R105150
3 mm



Notice:
You can cut the black line parts to get smaller bumper.



BAG 06

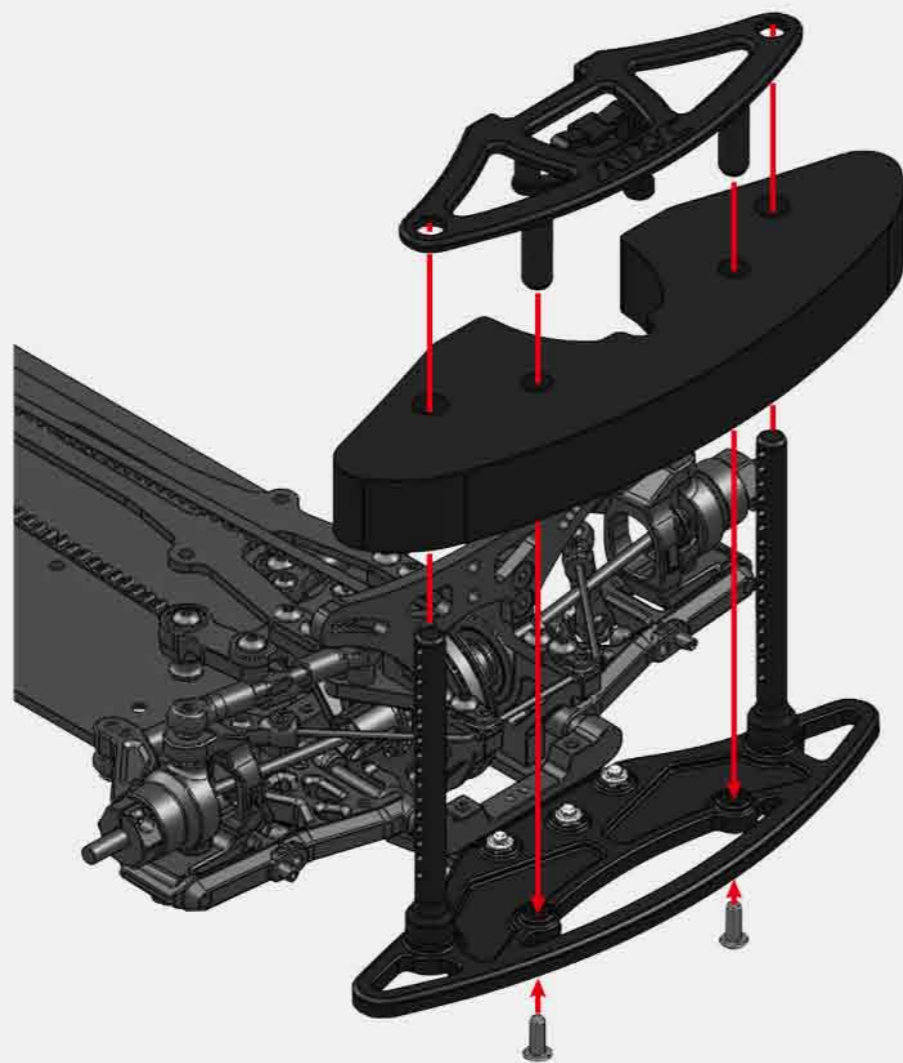
R10105A
Bumper Set



R104010
Foam Bumper

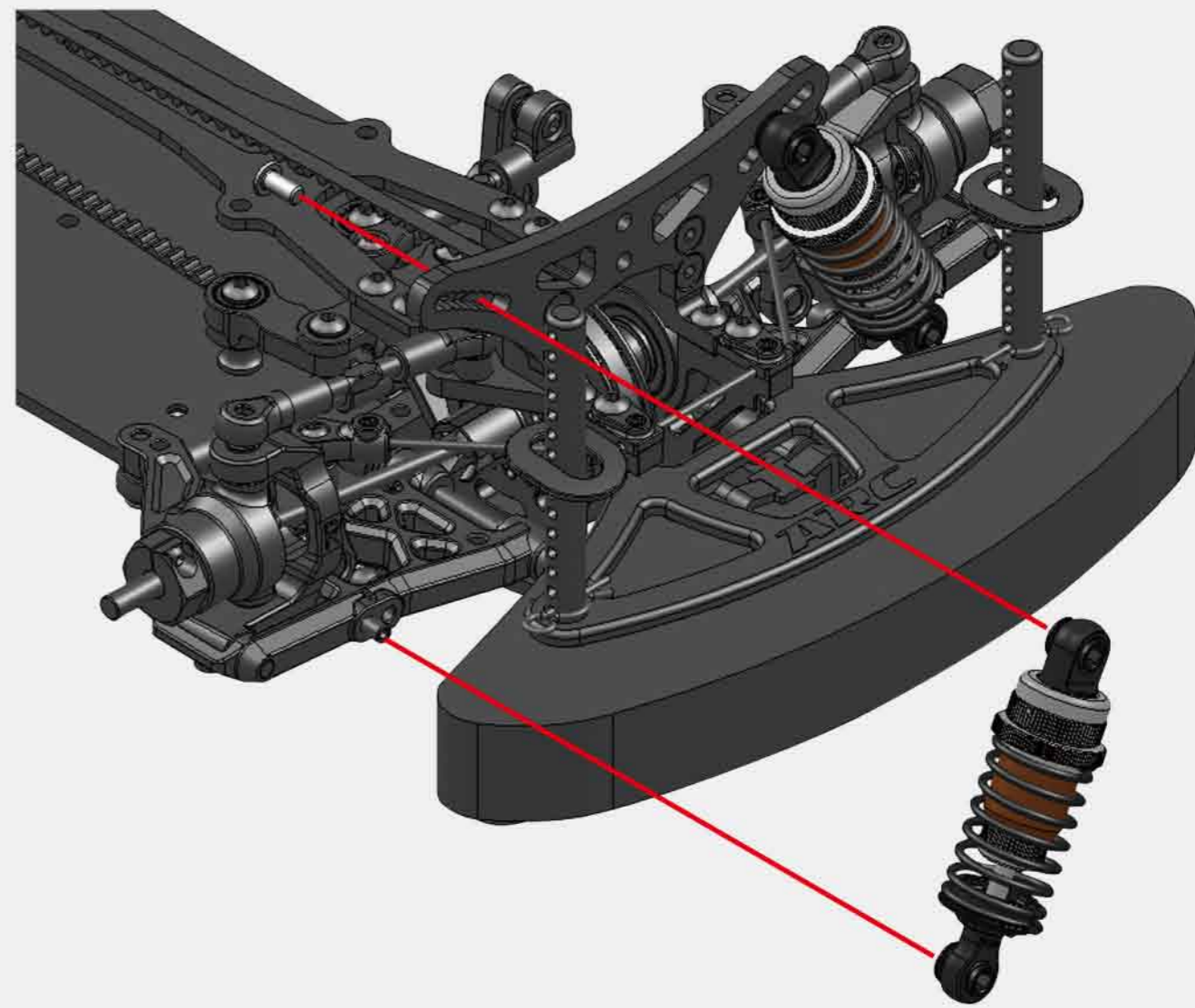


R105105
3 x 8 mm



BAG 06

R105104
3 x 6 mm



BAG 06

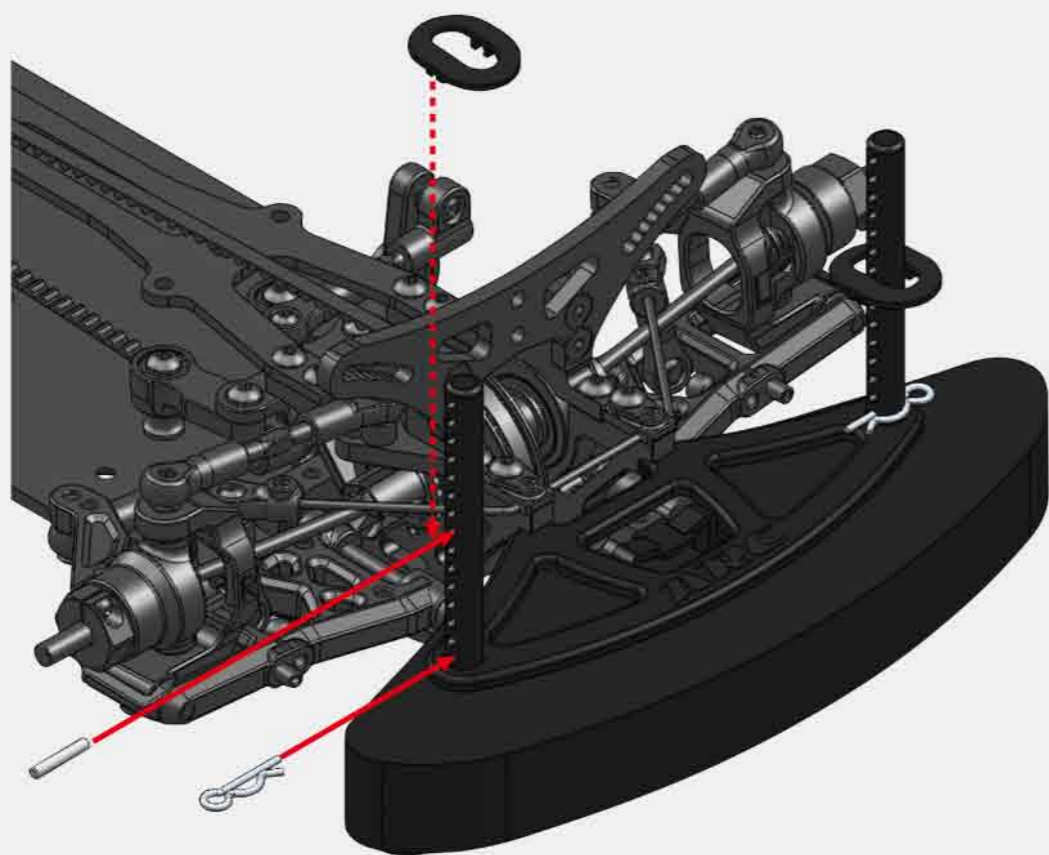
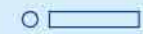
R10105C
Body Tower Set

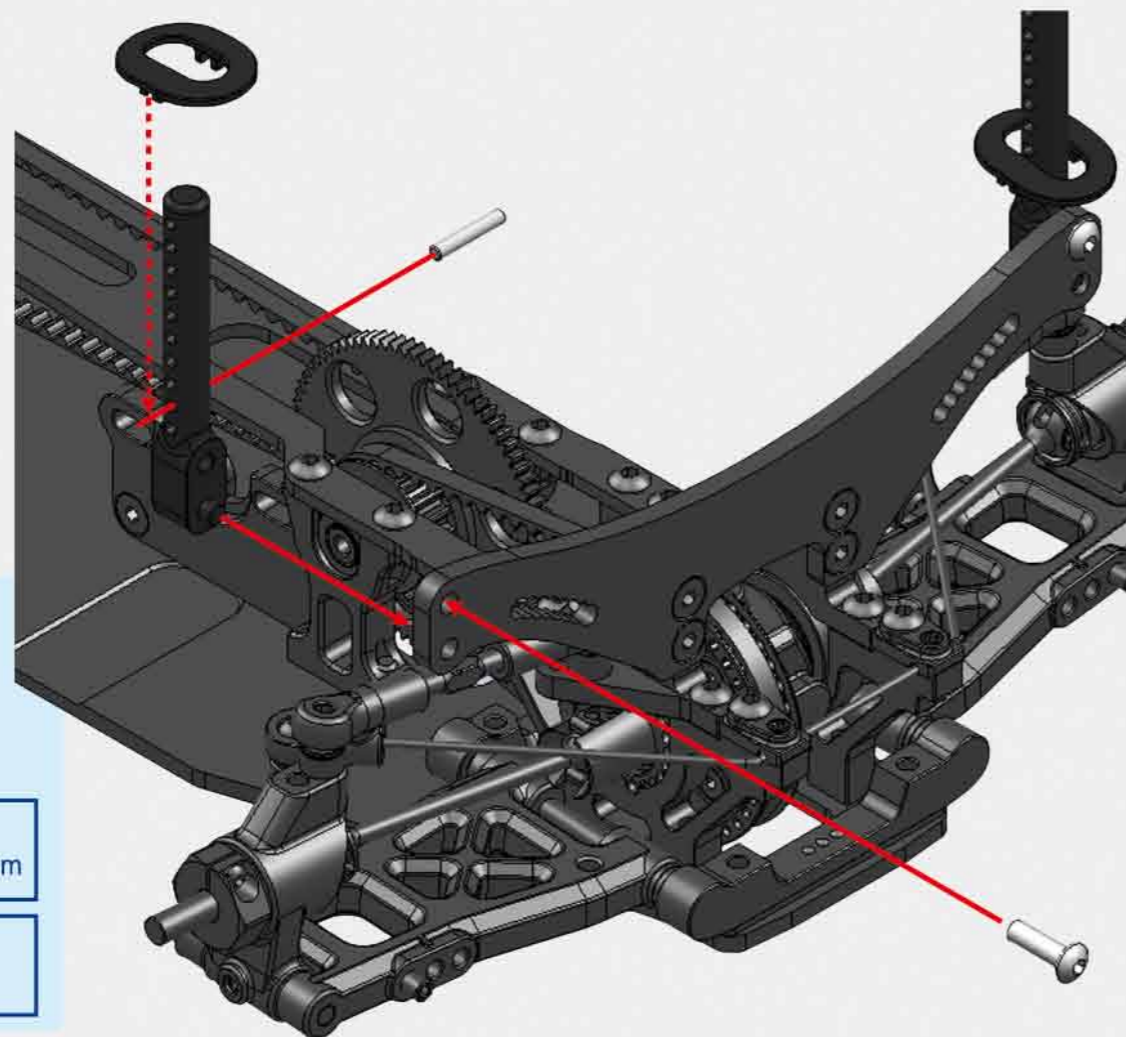


R107002
R-Clip



R106104
Ø 2 x 11.8 mm

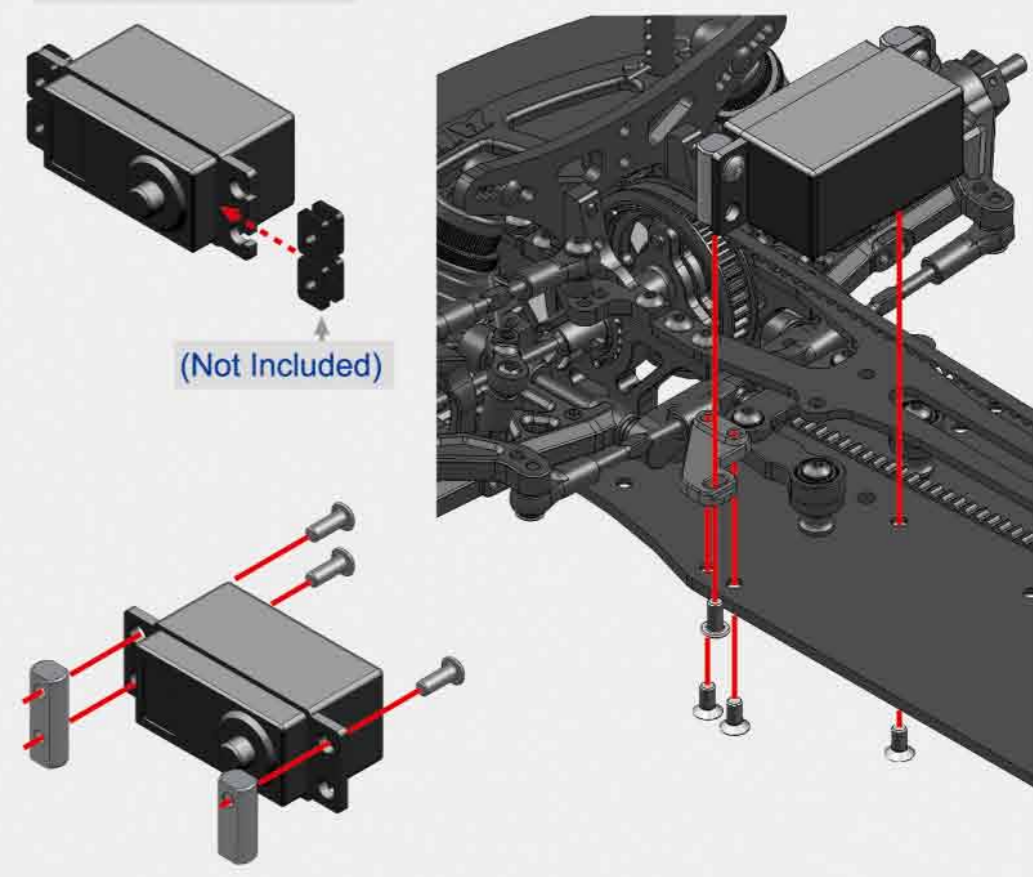




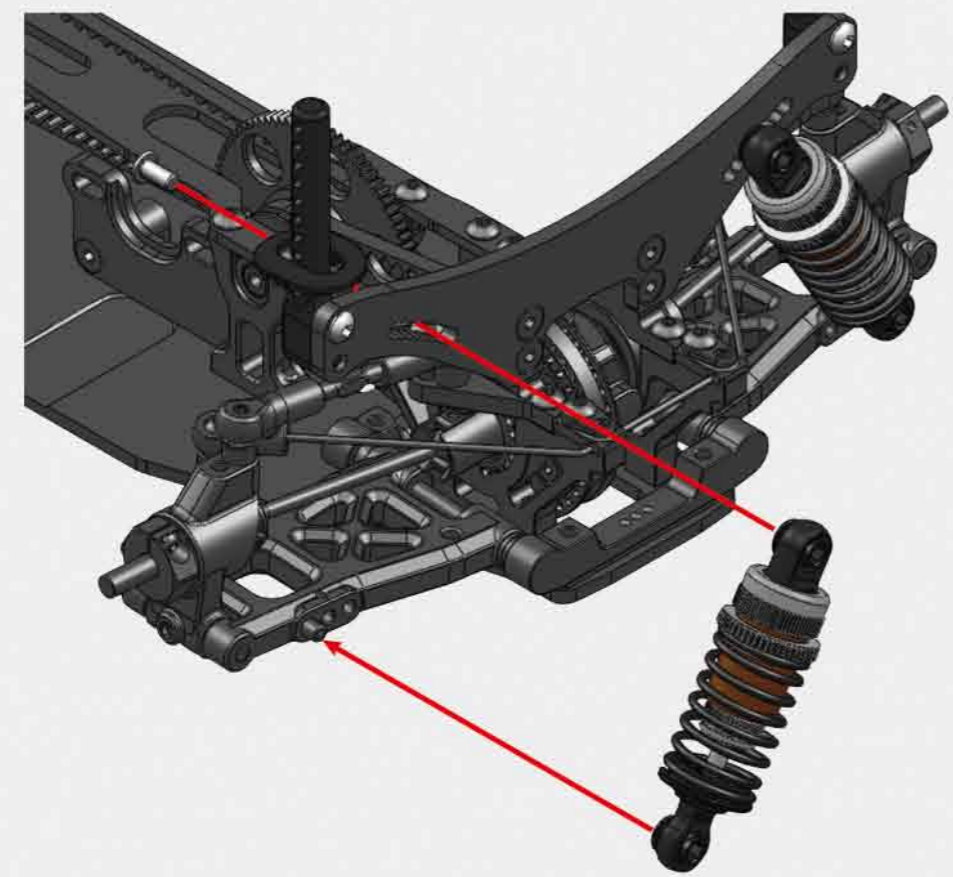
- BAG 06**
- R10105C**
Body Tower Set
- R106104**
Ø 2 x 11.8 mm
- R105106**
3 x 10 mm

- BAG 06**
- R102011**
Servo Mounq Alu R
- R102012**
Servo Mounq Alu L
- R102013**
Servo Mount L-Low Alu
- R105104**
3 x 6 mm
- R105203**
3 x 6 mm
- R105105**
3 x 8 mm

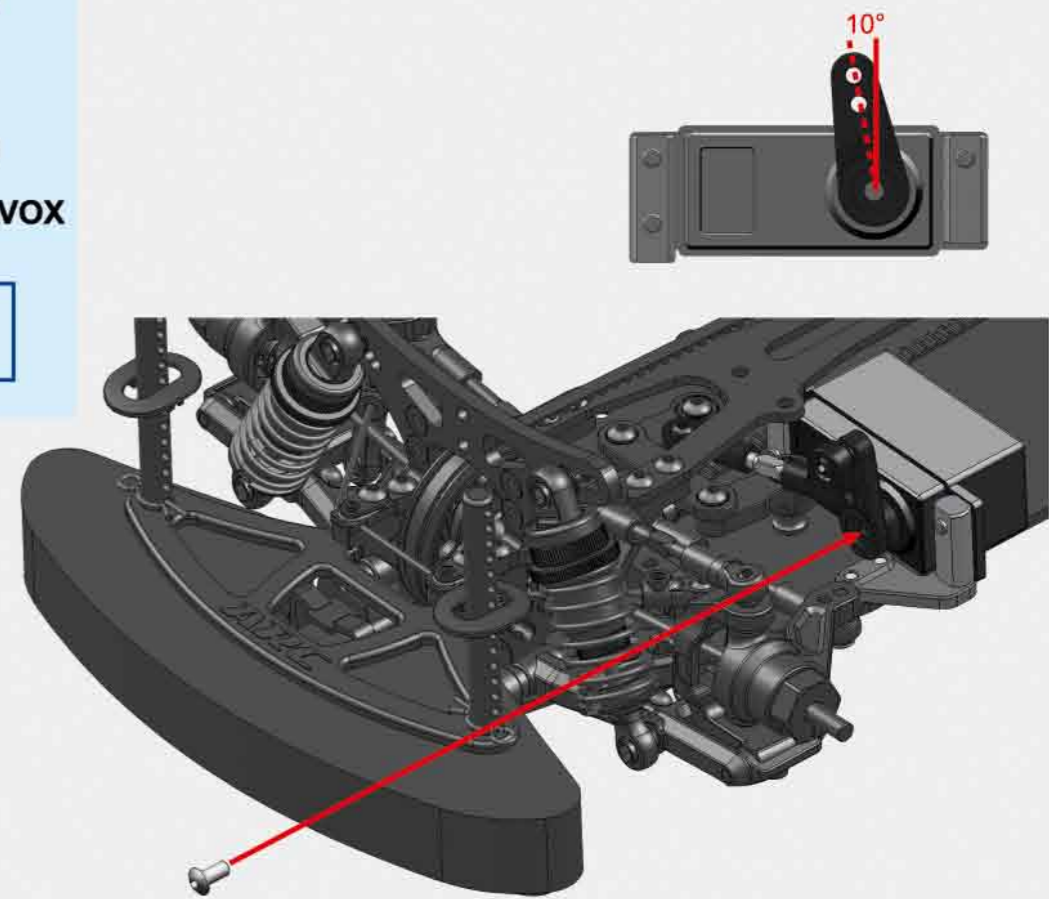
Notice:
Servo mount rubber is recommend to sue



- BAG 06**
- R105104**
3 x 6 mm

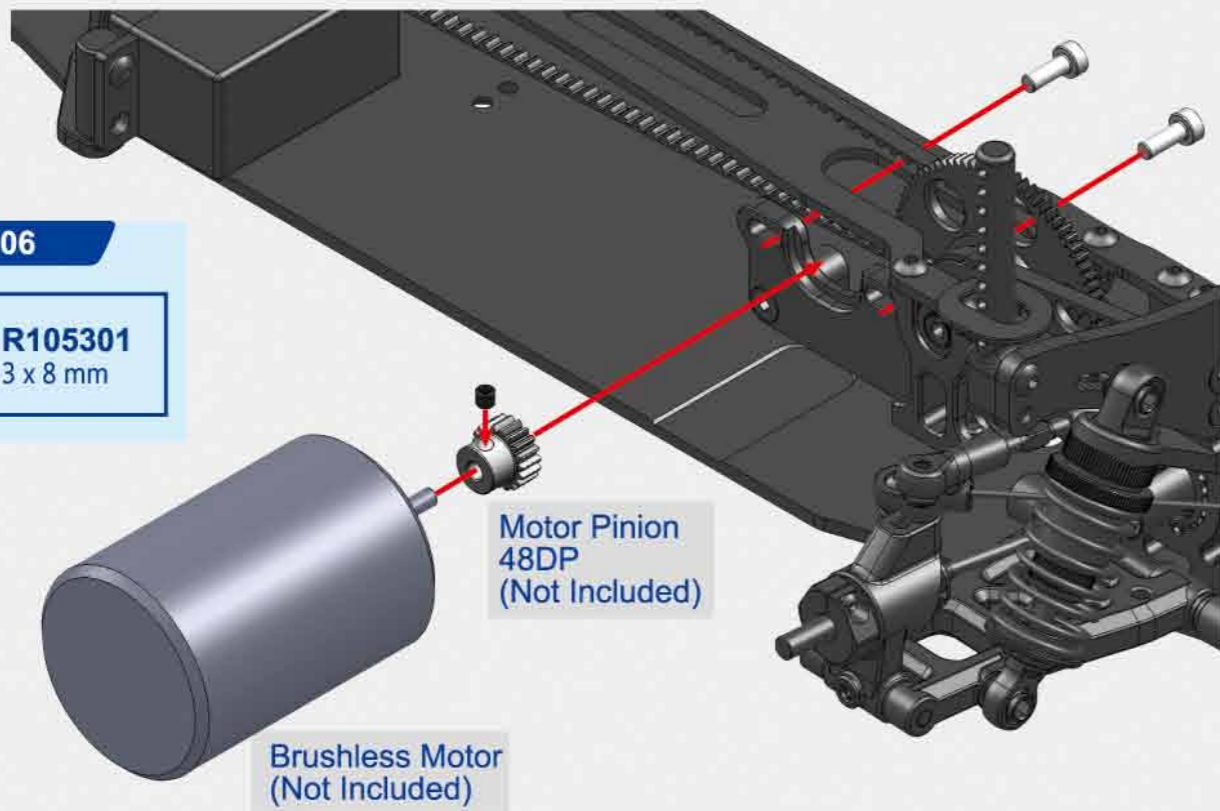


- BAG 06**
- R10106B**
Servo Horn
- 23T-Sanwa,KO
24T-Hitec
25T-Futaba,SAVOX
- R105104**
3 x 6 mm



BAG 06

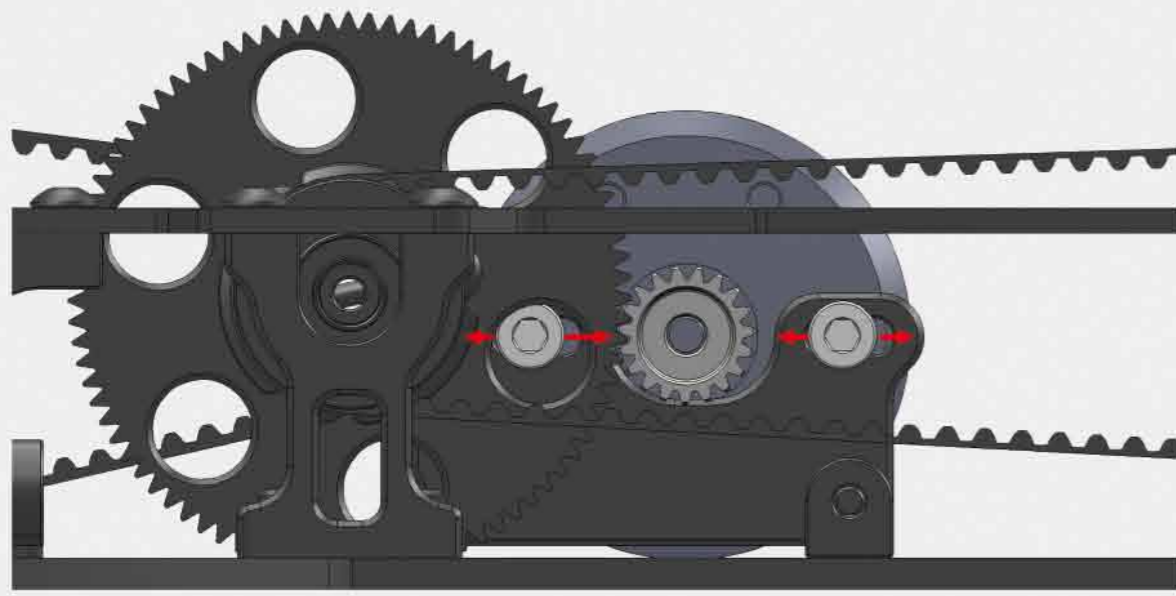
R105301
3 x 8 mm



Motor Pinion
48DP
(Not Included)

Brushless Motor
(Not Included)

Adjust gear mesh to minimal play between spur and pinion.

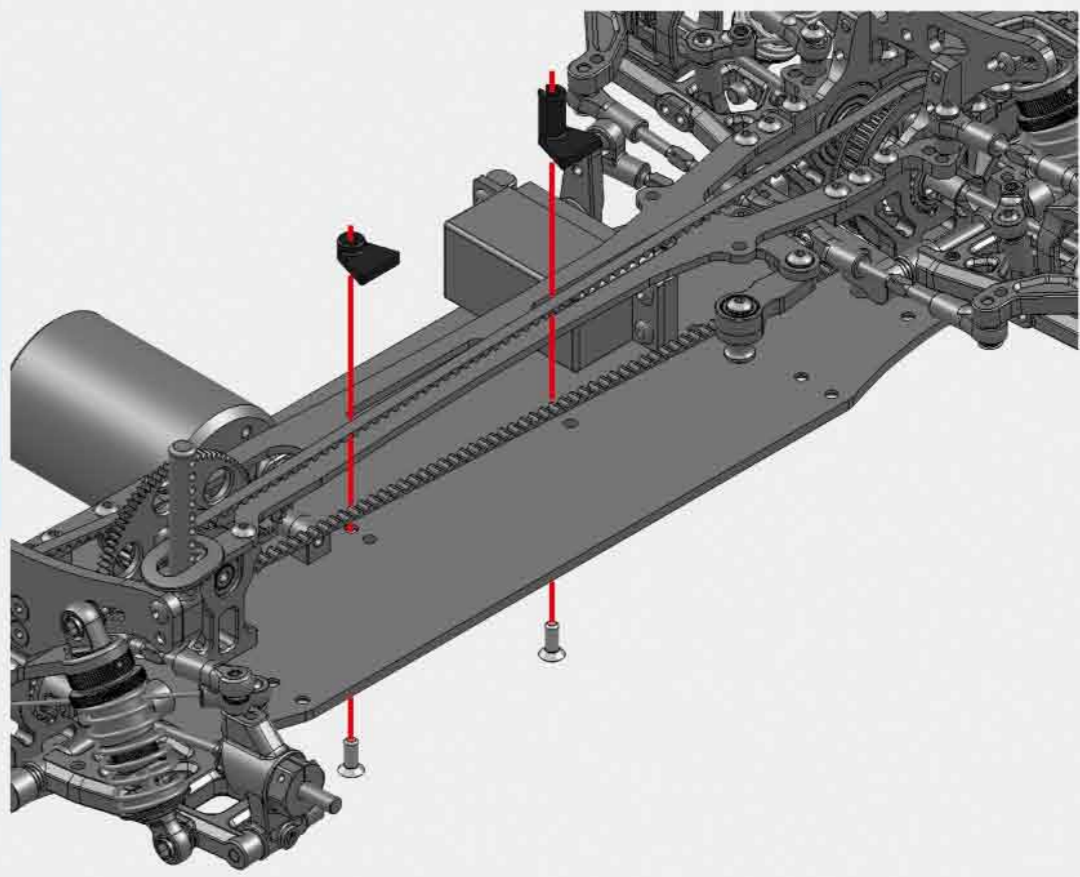


Notice:
Too tight gear mesh will put extra strain on spur
too Loose gear mesh will make spur strip easy.

BAG 06

R10101A
Antenna Mount Set

R105203
3 x 6 mm



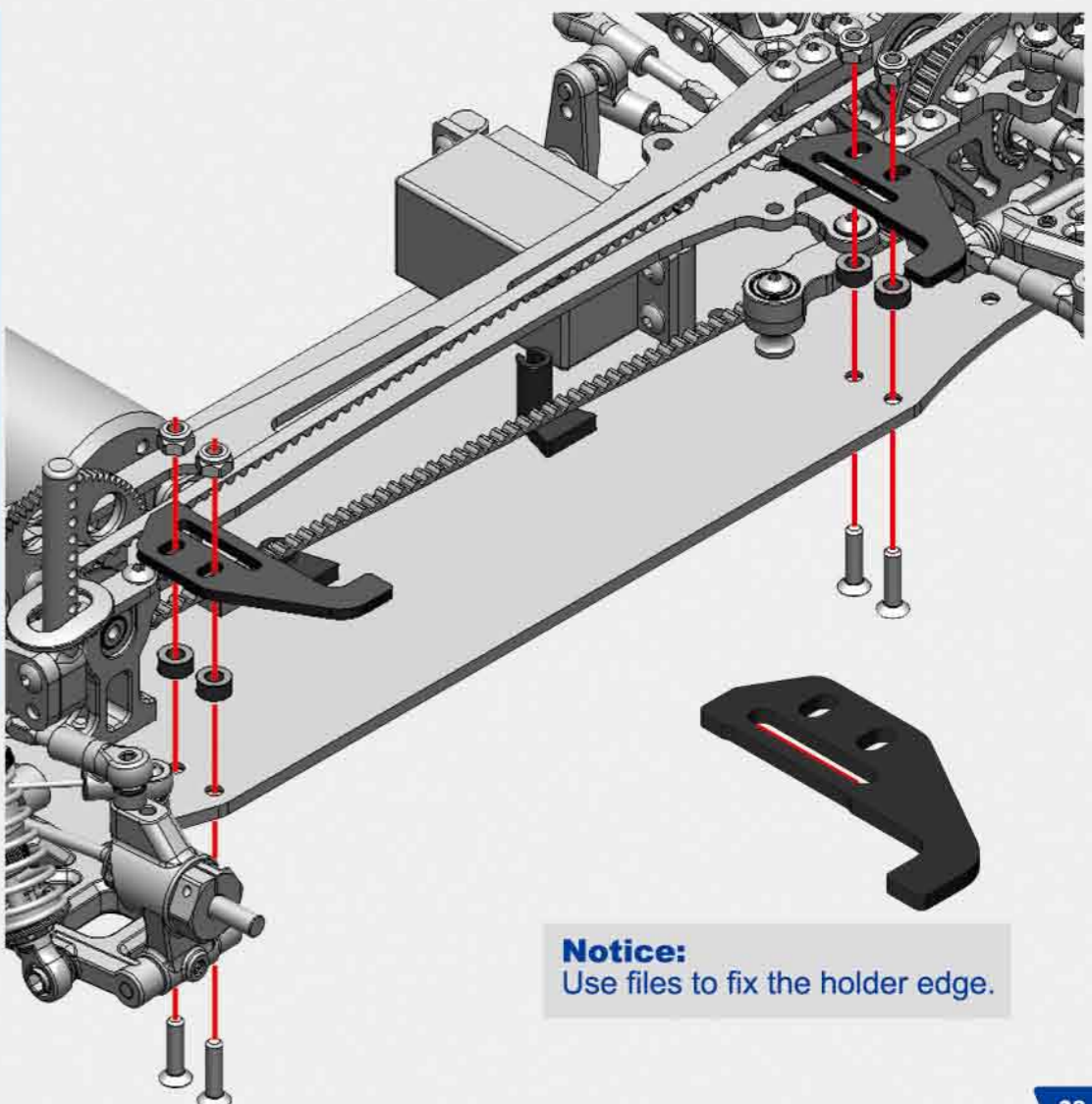
BAG 06

R108006
Battery Mount Plate Carbon

R105150
3 mm

R10110C
3 mm

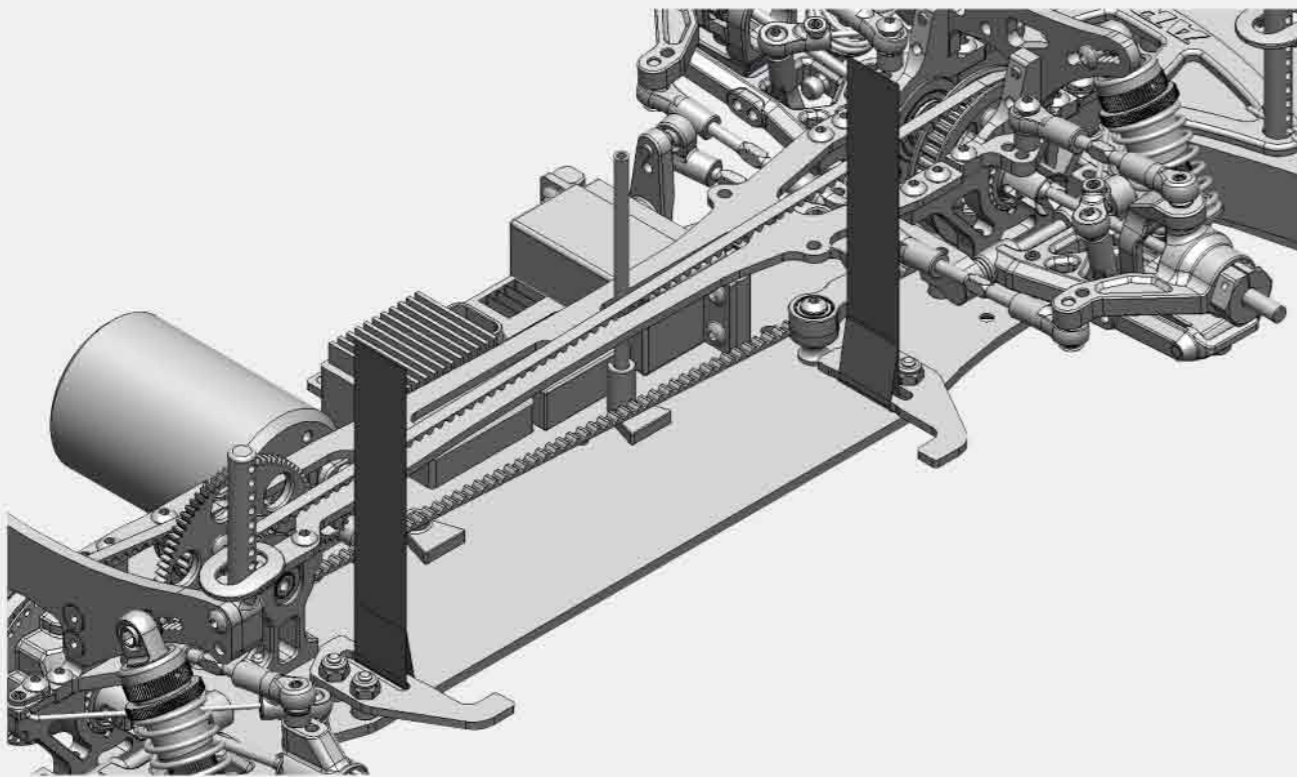
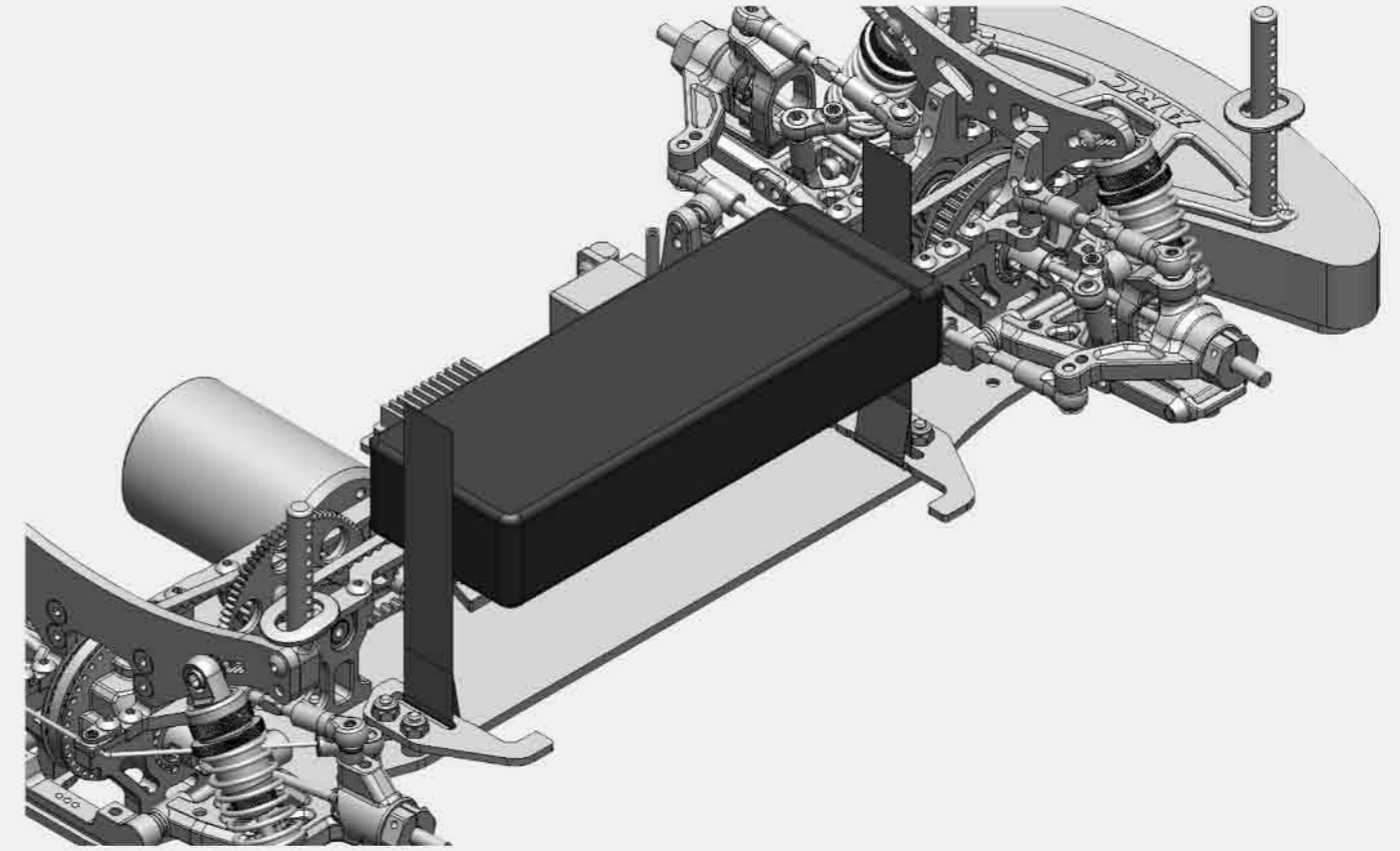
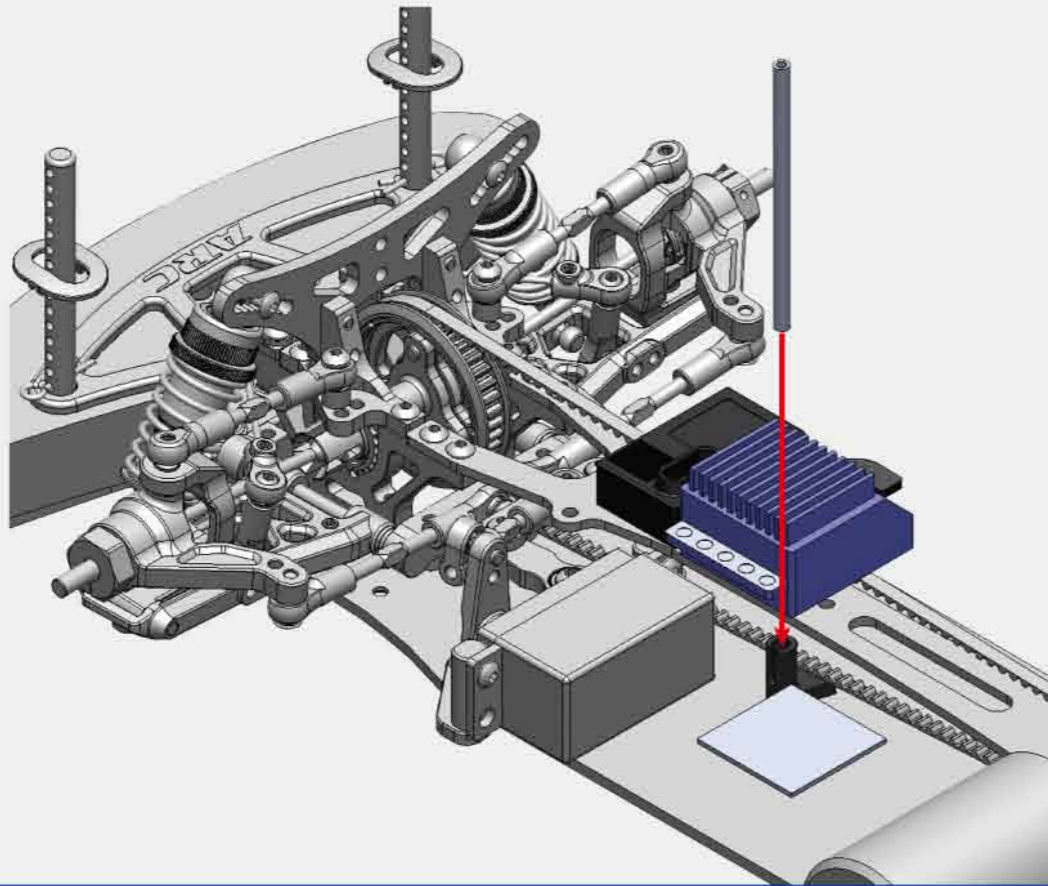
R105206
3 x 12mm



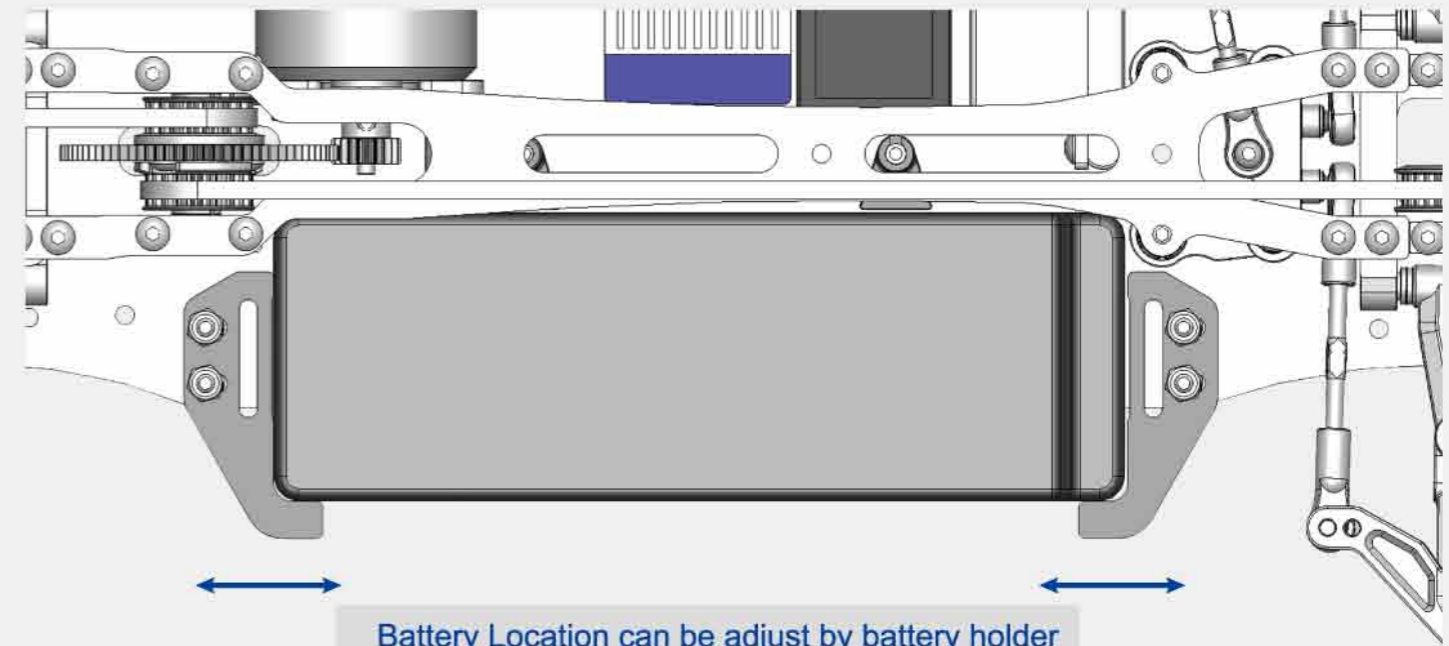
Notice:
Use files to fix the holder edge.

BAG 06

R104150
Antenna



Use Glass Fiber tape to fasten the battery with battery mount plate.



Battery Location can be adjust by battery holder it can be use to adjust weight distribution.



WWW.ARC-RC.COM.TW