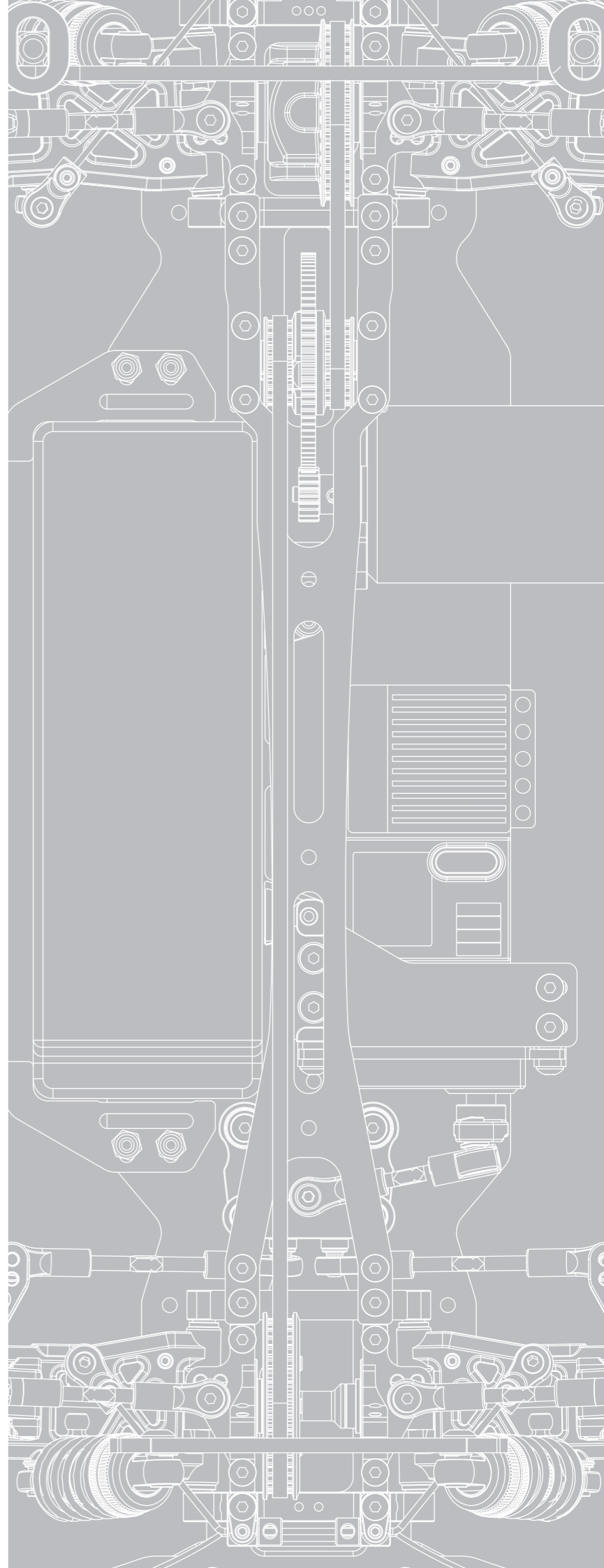


www.arc-rc.com.tw

ARC **RIIO 2013**

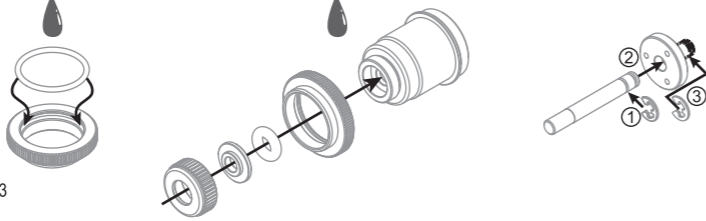
RIIO
2013 **INSTRUCTION MANUAL**



BAG 02

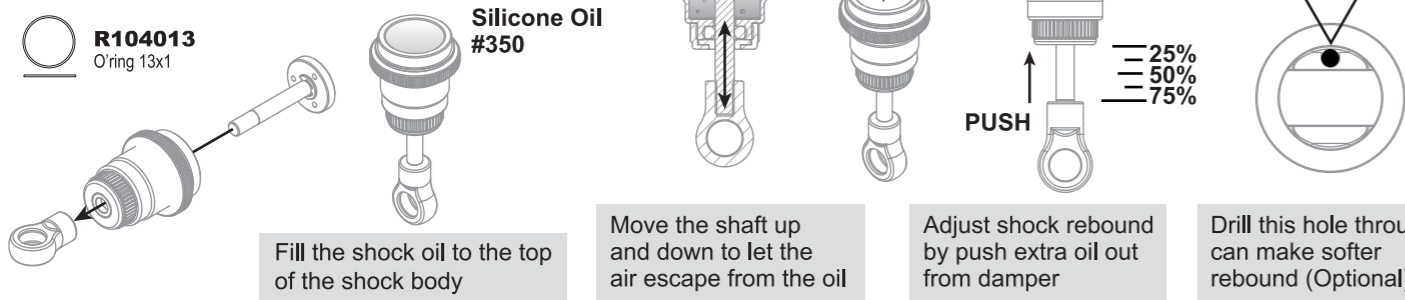
- R102034**
Shock ADJ Nut Alu Short
- R102030**
Shock Cap Alu Short
- R103019**
Shock Shaft Short
- R105501**
E-Clip 2mm
- R104002**
O'ring 3x2
- R102029**
Shock Body Alu Short
- R104015**
Shock Shaft Shim
- R104017**
Shock Piston Big Bore 1.1mm x3

Apply Oil before assembly



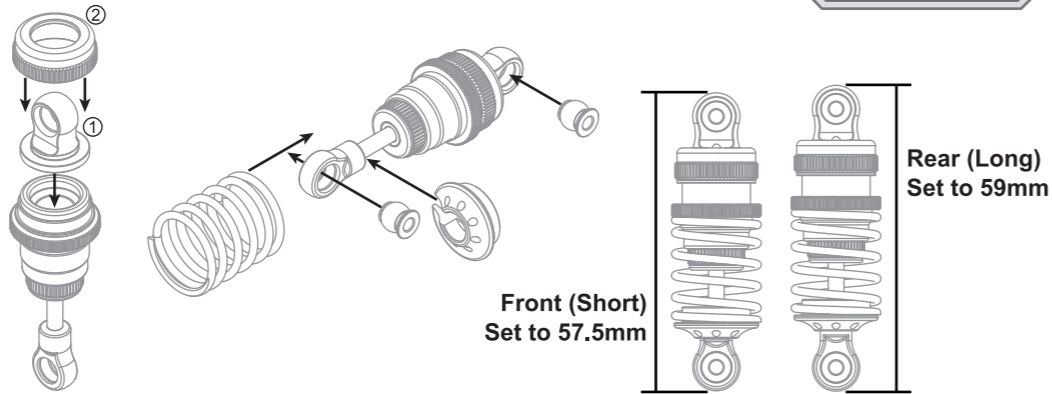
Option parts

- R104018**
Shock Piston Big Bore 1.1mm x4



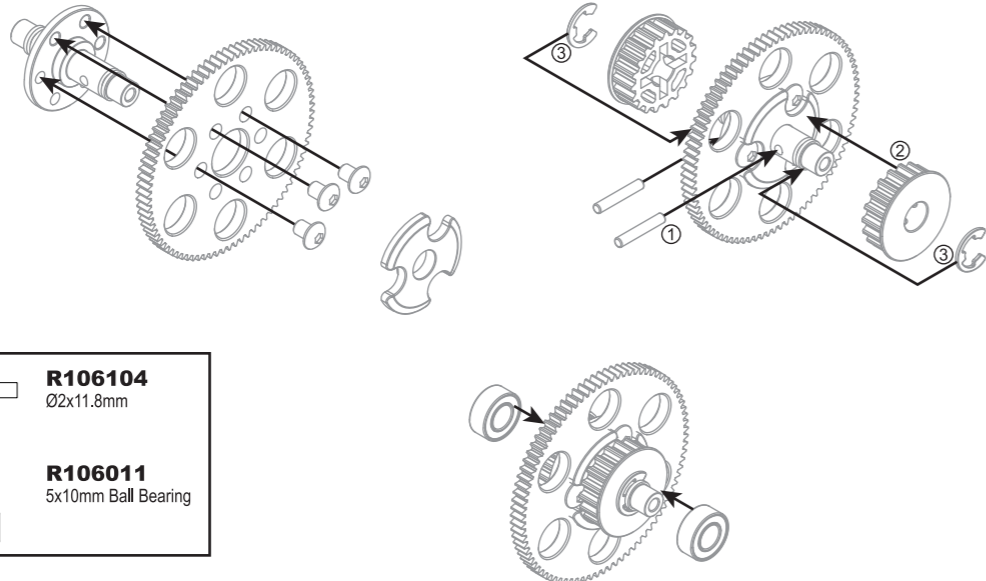
BAG 02

- R104016**
Shock Membrane Big Bore
- R103027**
5.8mm Ball End Short
- R101130**
Shock Ball Joint Set Big Bore
- R107042**
Front Shock Spring short (Yellow)
- R107043**
Rear Shock Spring Short (Green)
- R109021**
Shock Set Short (4set)



BAG 02

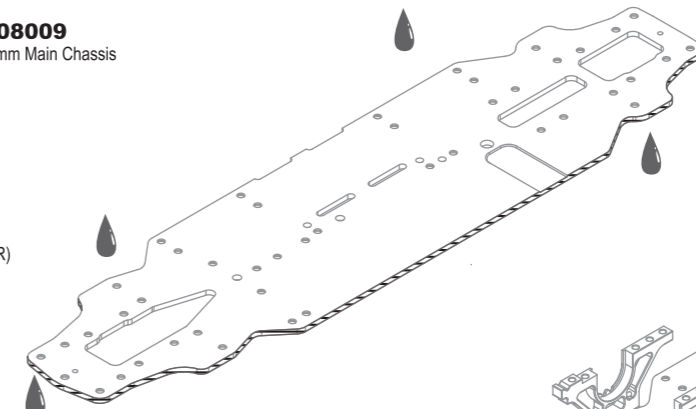
- R102004**
Spur Axle Alu
- R104101**
CNC Spur 84T(48dp)
- R10102C**
19T Belt Pulley Set



- R105103**
3x4 Screw
- R106104**
Ø2x11.8mm
- R105004**
E-Clip 4mm
- R106011**
5x10mm Ball Bearing

BAG 03

- R108009**
2.25mm Main Chassis
- R102501**
Bulkhead Alu FL/RR
- R102502**
Bulkhead Alu FR/RL
- R102505**
Spur Axle Bulkhead (R)
- R102520**
Motor Mount Alu
- R102507**
Motor Mount Nut Alu

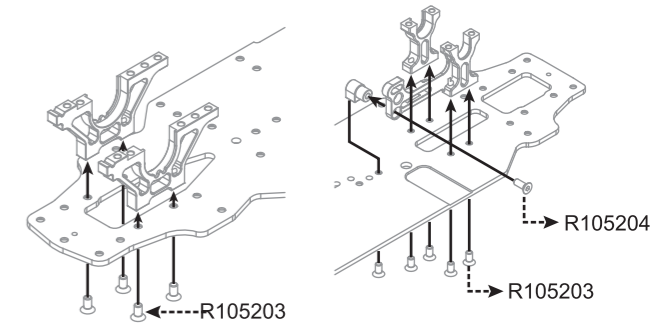


NOTICE

Appsly CA Glue to the chassis edges and front bumper screws as highlighted.

OPTION PARTS Flex Motor Mount (1set)

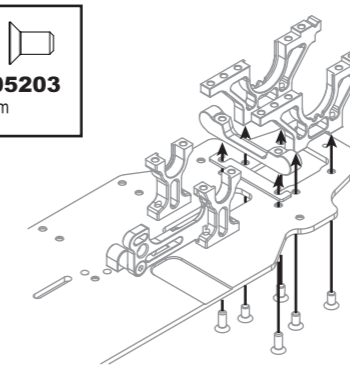
- | | | |
|---|---|------------------------------------|
| R102025
Flex Motor Bulkhead (R) | R102023
Flex Motor Bulkhead (L) | R102042
Flex Motor Tower |
|---|---|------------------------------------|



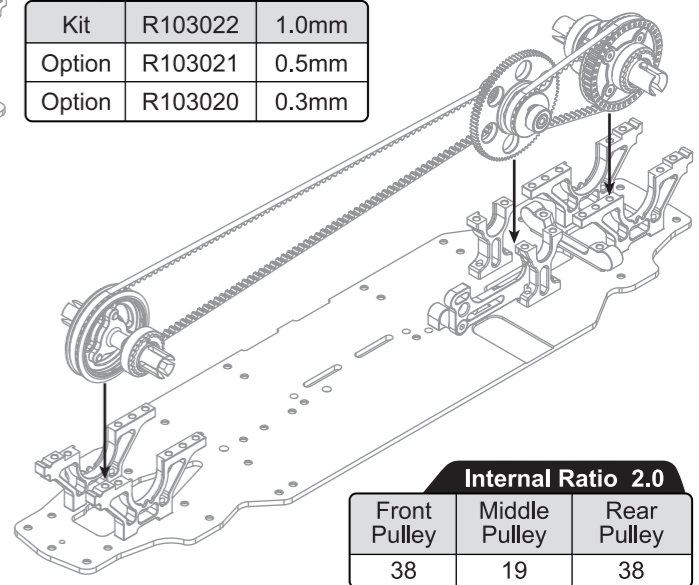
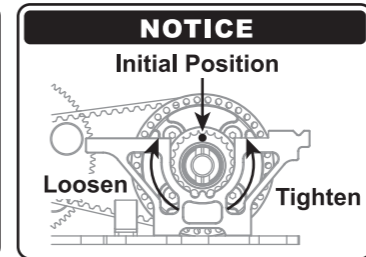
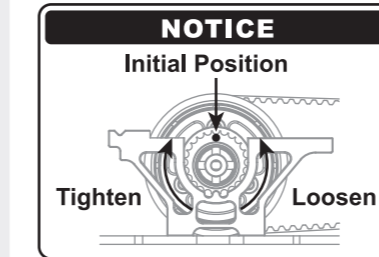
- R105204**
3x8mm
- R105203**
3x6mm

- R102501**
Bulkhead Alu FL/RR
- R102502**
Bulkhead Alu FR/RL
- R102510**
Suspension Alu Bracket #0
- R103022**
Roll Center Shim 1.0mm
- R104051**
R10 Rear Belt Rubber 3mm
- R104050**
R10 Front Belt Rubber 3mm

- R105203**
3x6mm



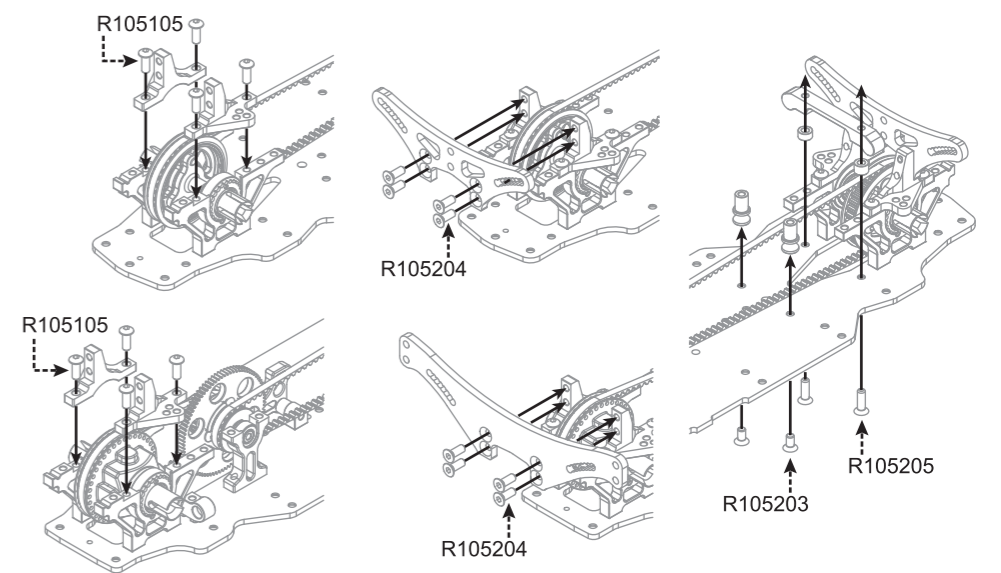
Kit	R103022	1.0mm
Option	R103021	0.5mm
Option	R103020	0.3mm



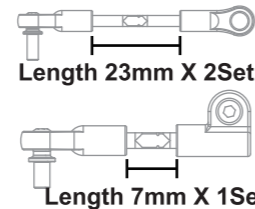
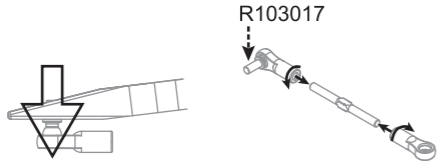
BAG 03

- R102503**
Bulkhead upper Alu FL/RR
- R102504**
Bulkhead upper Alu FR/RL
- R103006**
Steering Shaft
- R102017**
3x5.5x3mm Alu Shims
- R102512**
Suspension Alu Bracket #1
- R108021**
Front Shock Tower (Low Type)
- R108022**
Rear Shock Tower (Low Type)

- R105105**
3x8mm
- R105203**
3x6mm
- R105204**
3x8mm
- R105205**
3x10mm

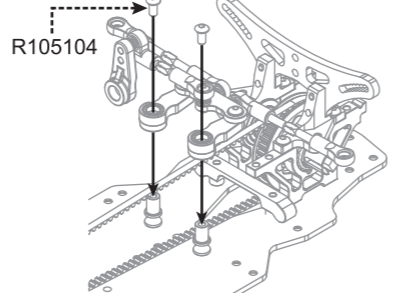
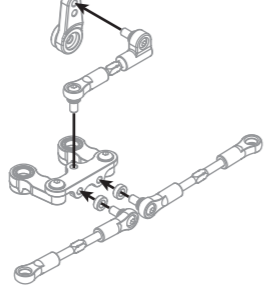
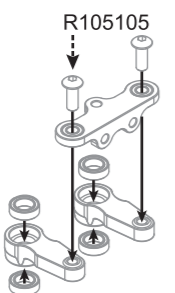


- R10107A**
Ball Joint 4.9mm open
- R10107D**
Steering Rod Ball Joint
- R103011**
4.9mm Ball End Short
- R103017**
4.9mm Ball End Med



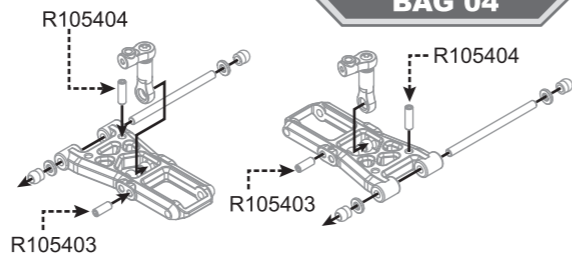
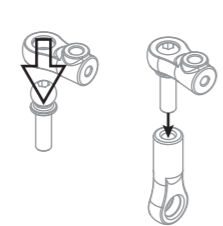
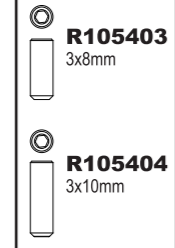
BAG 04

- R101060**
Servo Horn dual steering arm



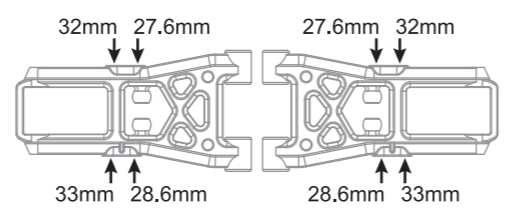
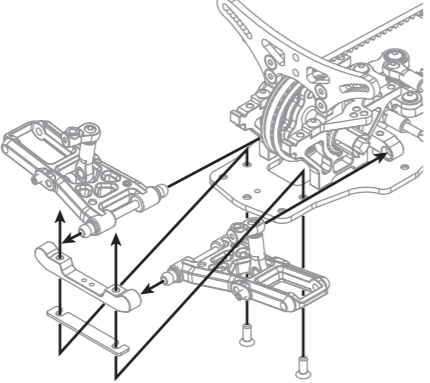
BAG 04

- R10107C**
Anti-Roll Bar Joint
- R10107A**
Ball Joint 4.9mm open
- R103012**
4.9mm Ball End Long
- R103008**
Ball 5mm
- R103040**
Pivot Pin Inner
- R10110F**
Low Arm F Set with Shims
- R10110A**
- R10110B**
- R10110C**



BAG 04

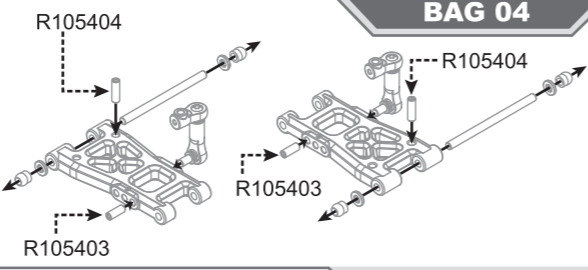
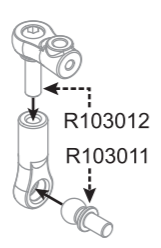
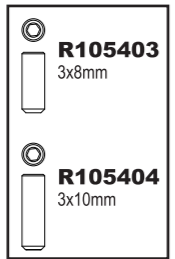
- R102514**
Suspension Alu Bracket #2
- R103022**
Roll Center Shim 1.0mm



Front lower arms have 4 different shock positions. Make sure left and right sides are both symmetrical during assembly.

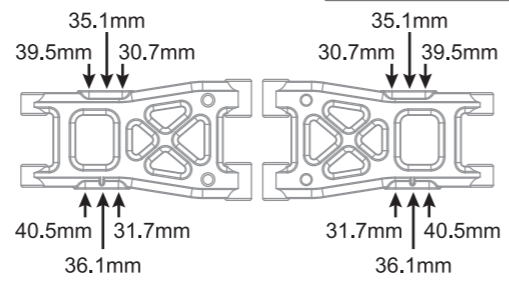
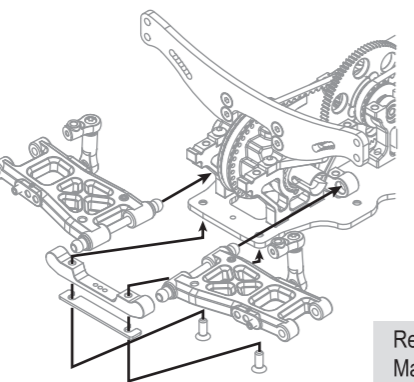
BAG 04

- R103011**
4.9mm Ball End Short
- R103012**
4.9mm Ball End Long
- R103008**
Ball 5mm
- R103014**
Pivot Pin Inner
- R10110R**
Low Arm R Set with Shims
- R10110A**
- R10110B**
- R10110C**



BAG 04

- R102516**
Suspension Alu Bracket #3
- R103022**
Roll Center Shim 1.0mm

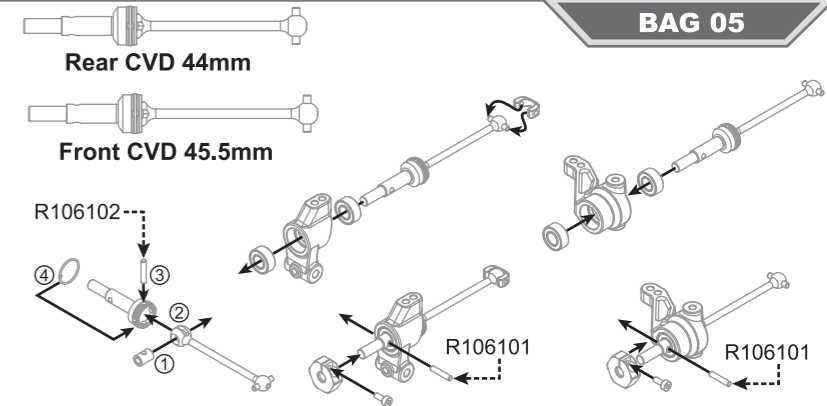
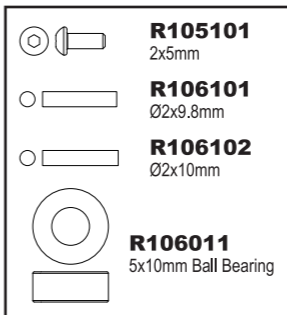


Rear lower arms have 6 different positions for shocks and anti-roll bars. Make sure left and right sides are symmetrical during assembly.

BAG 04

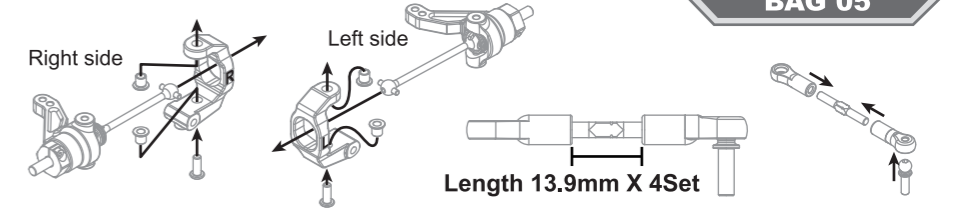
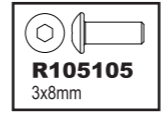
Kit	R103022	1.0mm
Option	R103021	0.5mm
Option	R103020	0.3mm

- R107001**
CDV G-Clip
- R103002**
Wheel Axle
- R103003**
CVD Rear 44mm
- R103004**
CVD Front 45.5mm
- R103005**
CVD Insert
- R101030**
C Cap 3.5mm
- R102005**
Hex Wheel Hub Alu
- R101090**
Steering Block and Upright



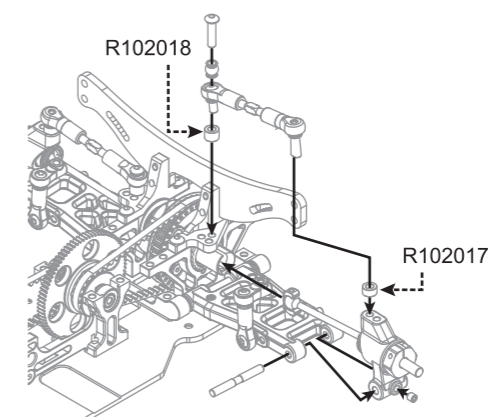
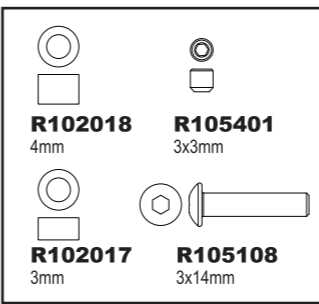
BAG 05

- R10107A**
Ball Joint 4.9mm open
- R10107B**
Ball Joint 4.9mm closed
- R103012**
4.9mm Ball End Long
- R103007**
Steering Block Bushing



BAG 05

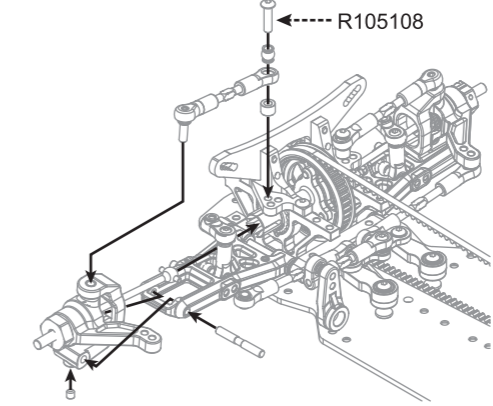
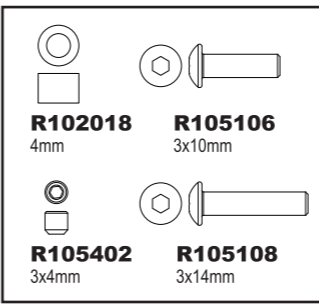
- R103010**
4.9mm Ball End Open
- R103016**
Pivot Pin Rear-Out (25mm)



BAG 05

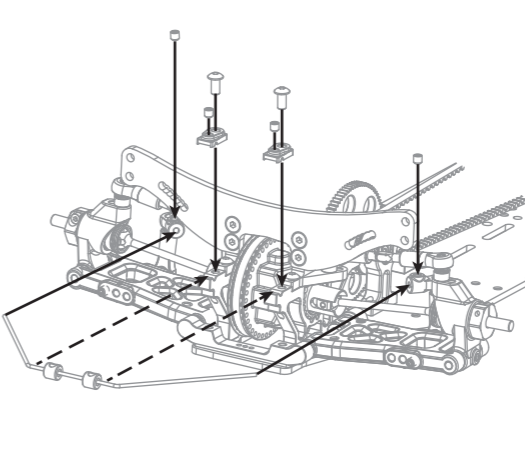
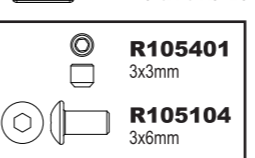
NOTICE
Use a screw to push the ball into the ball joint to avoid damage to the ball joint.

- R103015**
Pivot Pin Front-Out (23mm)

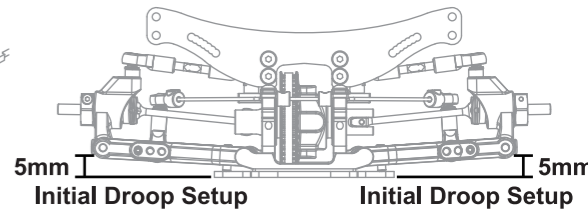


BAG 05

- R10101C**
Anti-Roll Bar Holder
- R107012**
Front Anti-Roll Bar 1.4mm



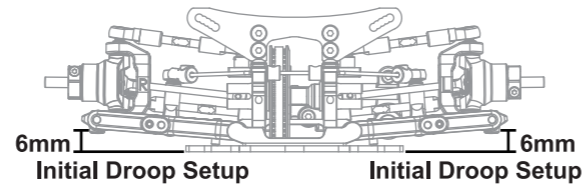
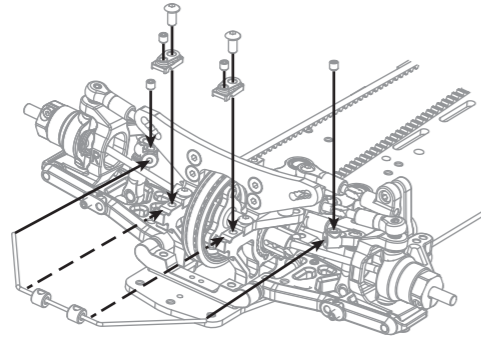
BAG 06



BAG 06

- R10101C**
Anti-Roll Bar Holder
- R107013**
Rear Anti-Roll Bar 1.2mm

- R105401**
3x3mm
- R105104**
3x6mm

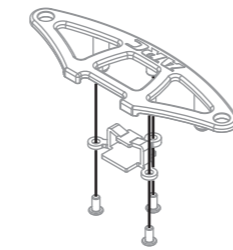
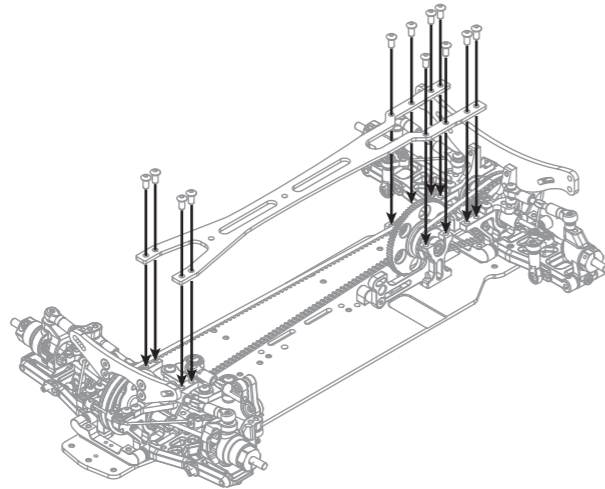


- R108023**
Upper Deck Carbon 2.0mm-V 2013



- R10105A**
Bumper Set

- R105104**
3x6mm



Mylaps transponder base
(Not Included)

BAG 06

BAG 06

- R105150**
3mm



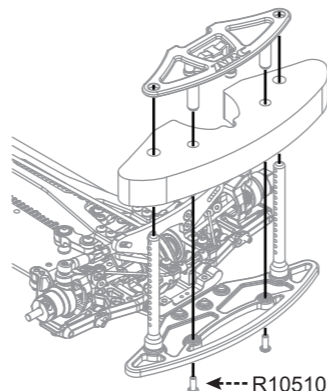
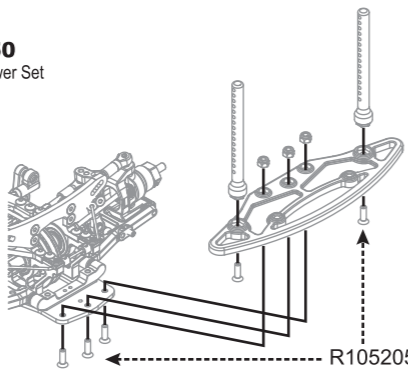
- R104010**
Foam Bumper

- R105105**
3x8mm

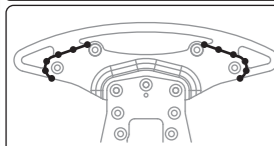


- R101050**
Bumper / Tower Set

- R105205**
3x10mm



NOTICE

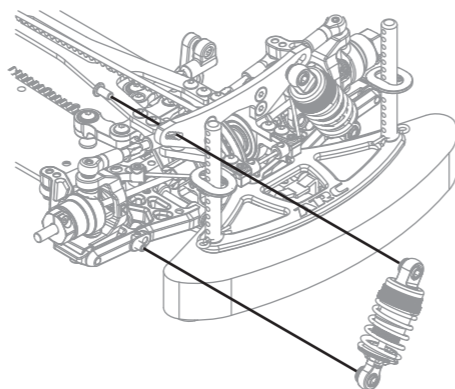
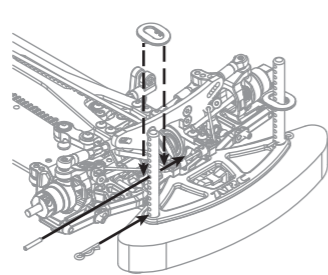


The bumper can be cut at the black lines to make it smaller.

- R10510C**
Body Tower Set
- R107002**
R-Clip

- R105104**
3x6mm

- R106104**
Ø2x11.8mm



ARC R10 Spring Rate Short Type

Hard		Soft		
Color				
Yellow	Green	Blue	Pink	Silver
Spring Rate(kgf/mm)				
0.30g	0.28g	0.26g	0.24g	0.22g

BAG 06

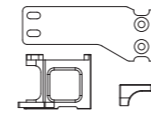
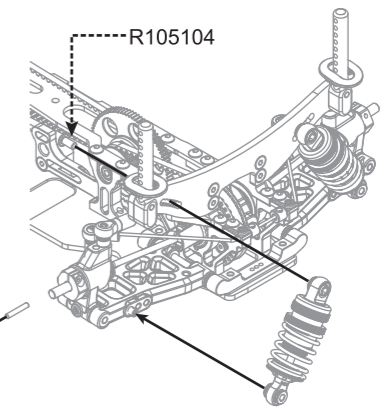
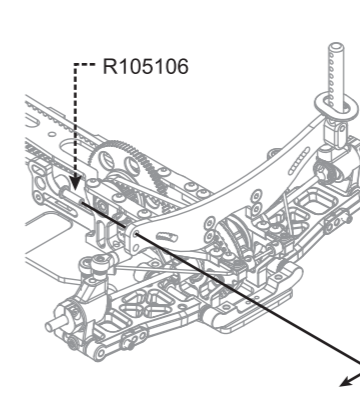


- R101050**
Body Tower Set

- R105104**
3x6mm

- R105106**
3x10mm

- R106104**
Ø2x11.8mm

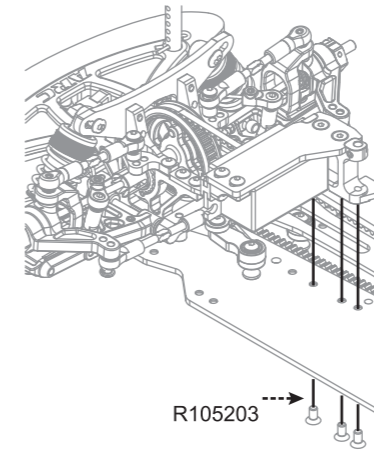


- R109013**
Floating Servo Mount V2

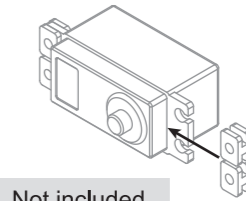
- R105104**
3x6mm

- R105105**
3x8mm

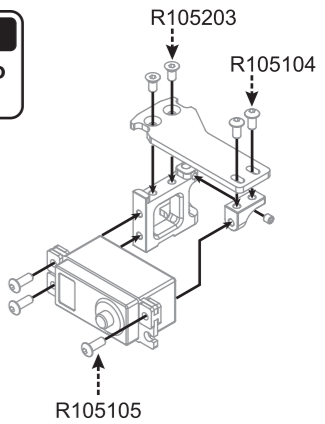
- R105203**
3x6mm



NOTICE
It is recommended to use servo mount rubber.



Not included



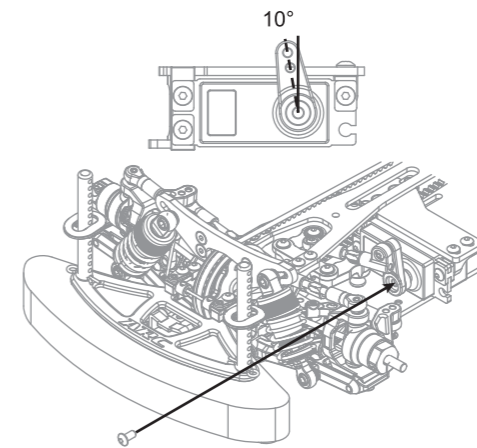
BAG 06

BAG 06

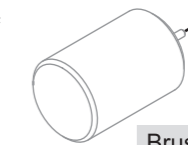
- R10106B**
Servo Horn dual steering arm
23T-Sanwa,KO
24T-Hitec
25T-Futaba,SAVOX

- R105104**
3x6mm

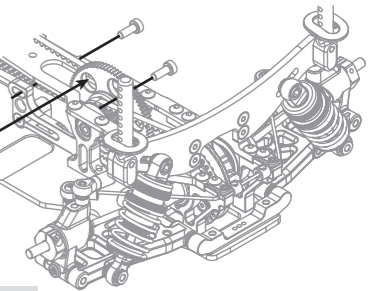
- R105301**
3x8mm



Motor Pinion (48p)
(Not included)



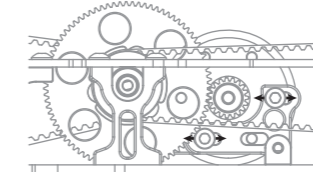
Brushless Motor
(Not included)



BAG 06

- R10101A**
Antenna Mount Set

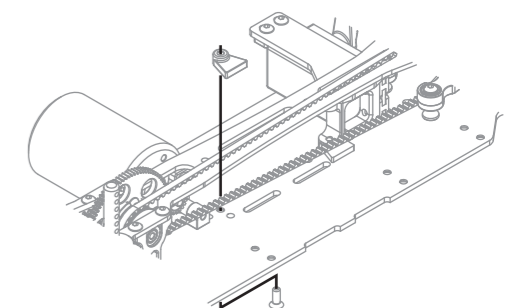
- R105203**
3x6mm



Gear mesh should have a minimal amount of play between spur and pinion.

NOTICE

A gear mesh that is too tight will put extra strain on the spur gear.
A gear mesh that is too loose will strip the spur.



BAG 06

R105150
3mm

R10110C
3mm

R105206
3x12mm

R108006
Battery Mount Plate Carbon

R104150
Antenna

NOTICE

Use a small file to round the edge of the battery holder, to prevent the battery tape from damage.

BAG 06

Use glass fiber tape attached to the battery mount plate to secure the battery.

Lipo battery and battery tape not included

Lipo battery and battery tape not included

New Side Mount For Lipo, This way will give more evenly Flex on Chassis and increase stability.

BAG 06

The battery location can be adjusted by moving the battery holders. This can be used to adjust the weight distribution.

RACE _____

TRACK _____

NAME _____

CITY / COUNTRY _____

DATE _____

TEMPERATURE	AIR	TRACK
QUALIFYING POSITION	BEST LAP TIME	FINAL POSITION
	SEC	MIN
TRACK CONDITION		
<input type="checkbox"/> TECHNICAL	<input type="checkbox"/> CARPET	<input type="checkbox"/> ASPHALT
<input type="checkbox"/> MIXED	<input type="checkbox"/> FAST	
TRACTION		
<input type="checkbox"/> LOW	<input type="checkbox"/> MEDIUM	<input type="checkbox"/> HIGH

FRONT	REAR
TRANSMISSION	
GEAR DIFF	GEAR DIFF
<input type="checkbox"/> CST	<input checked="" type="checkbox"/> 1000 CST
<input type="checkbox"/> ONE WAY	Number of Gears
<input checked="" type="checkbox"/> SPOOL	<input type="checkbox"/> 2 <input checked="" type="checkbox"/> 4
PINION	SPUR GEAR
R10 Internal Ratio	2.0
FINAL DRIVE RATIO	

FRONT	REAR	
OIL	SHOCK PISTON	OIL
350 CST	<input checked="" type="checkbox"/> 3 HOLE	350 CST
<input type="checkbox"/> 4 HOLE	HOLE SIZE	<input type="checkbox"/> 4 HOLE
SPRING	1.1 mm	SPRING
Yellow		Green

TIRES	
RIM	
INSERTS	
ADDITIVE	

Bumper	<input checked="" type="checkbox"/> Standard <input type="checkbox"/> Cut
BODY MOUNT DISTANCE	7 mm
BODY	BLITZ TSX WING STANDARD

NOTE

SHIM 0 mm, 4 mm, 4 mm, 3 mm

OFFSET STANDARD +0.75mm

SHOCK POSITION

FRONT 6 mm DOWNSTOP REAR 5 mm

Front Shock Position 0 Rear Shock Position

1.5° CAMBER 2.0°

FRONT RIDE HEIGHT 5 mm REAR RIDE HEIGHT 5 mm

TOE OUT 1.5°

ANTIROLL BAR F 1.4 mm R 1.2 mm

SHIM 3 mm

BELL CRANK STANDARD 20mm Alu 22mm Alu

FF BRACKET # 2 FR BRACKET # 1 RF BRACKET # 0 RR BRACKET # 3

TOPDECK 2.0 mm ver

CHASSIS 2.25 mm ver

BATTERY FASTEN DIRECTION SIDE STANDARD

BATTERY WEIGHT 1 mm 1 mm 1 mm 1 mm g

MOTOR BULKHEAD STANDARD FLEX TYPE

FR STANDARD ONE PIECE 3 mm SEPARATED TYPE mm

ROLLCENTER SPACER RF 1 mm RR 1 mm