



Legend W.E.

Driver Name: JULIEN JOST

Date: 2-3 FEBRUARY 2013

Club / Track: LONGWY

Event: CF

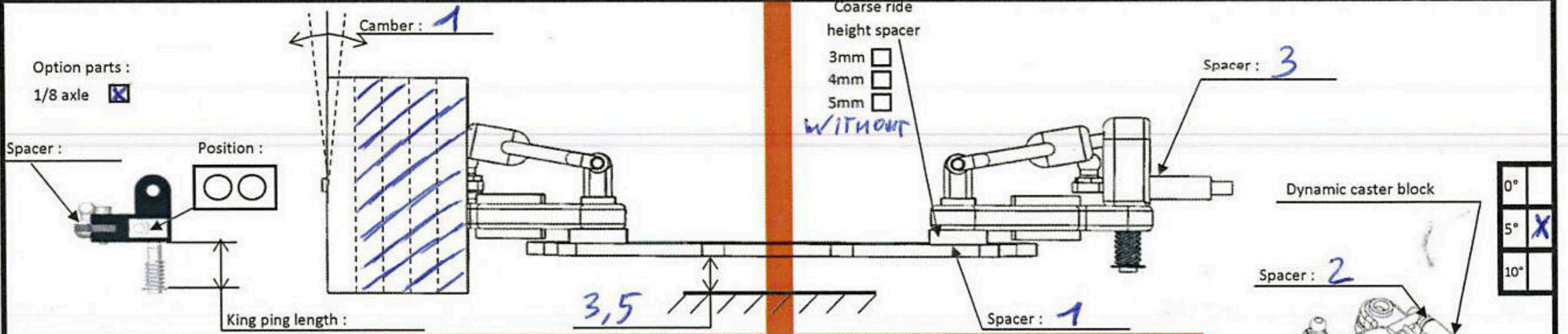
Track condition: BUMPY

Temperature air/track:

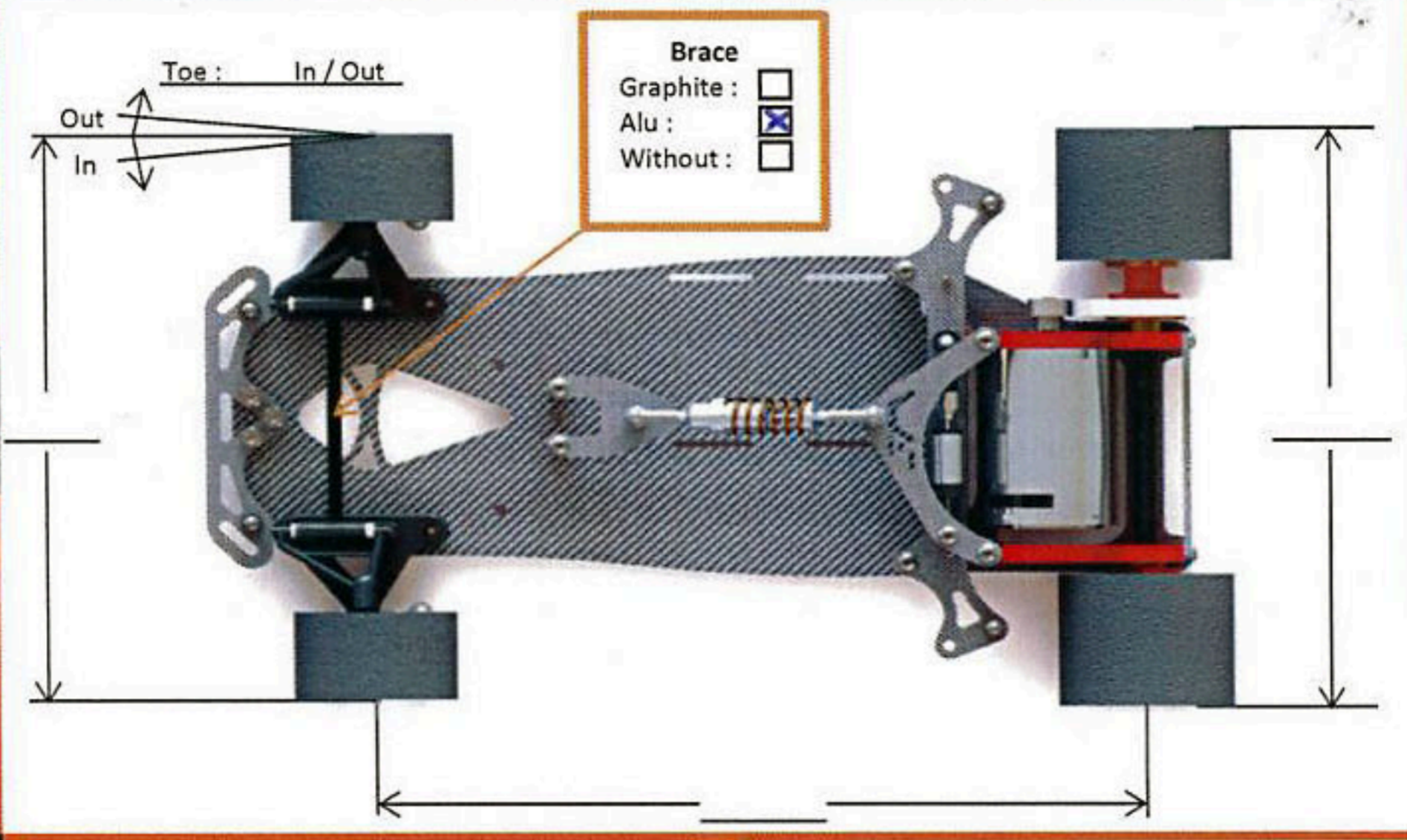
Best Lap:

Best run:

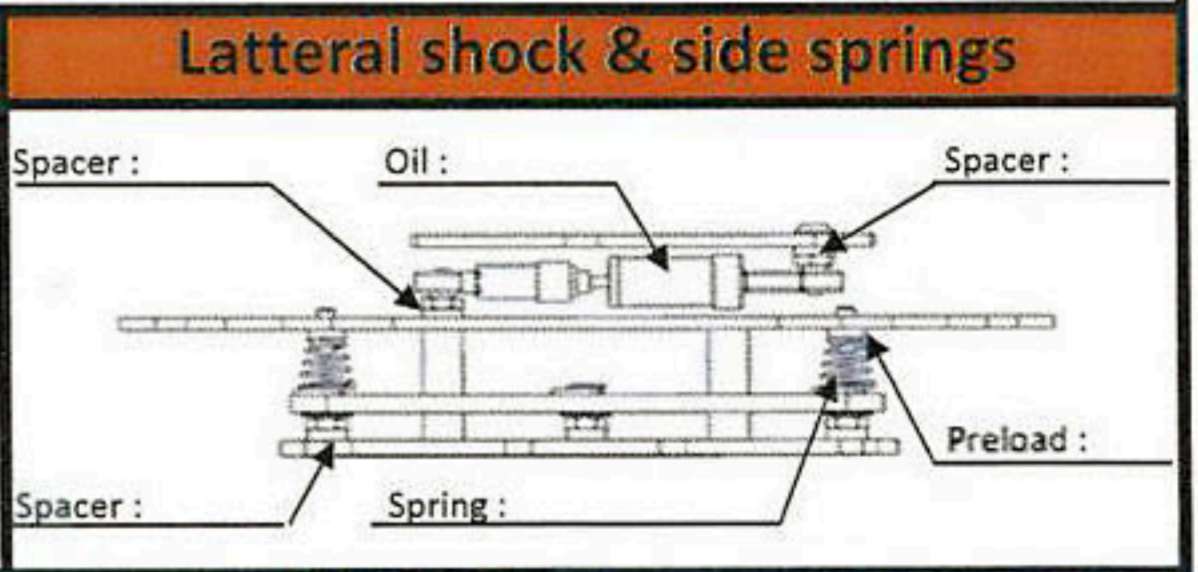
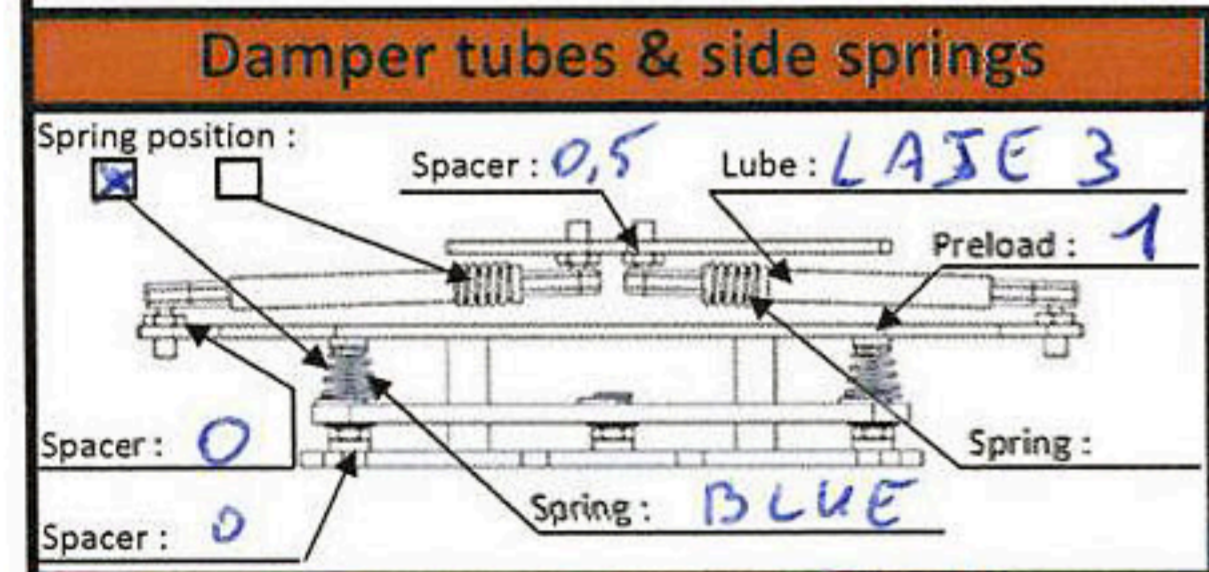
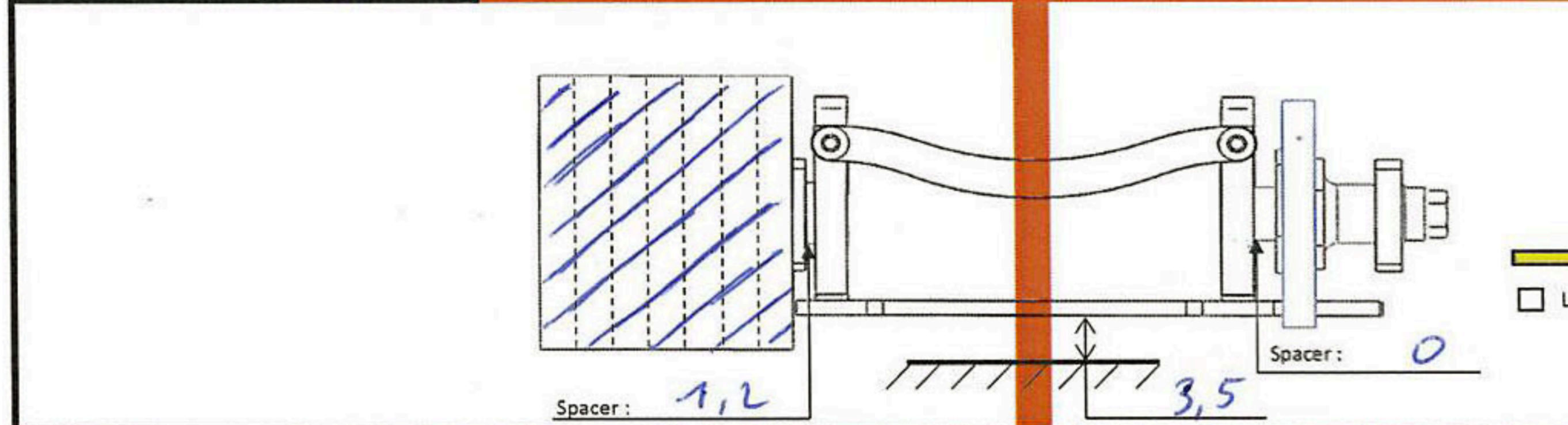
Result: TQ + WIN



Tire:	CRC
Shore:	BLACK
Diameter:	42
Additive:	STX
Additive timing:	8
Front Right	
Rear Left	
Tire:	CRC
Shore:	Yellow
Diameter:	42,5
Additive:	STX
Additive timing:	16



Front Left								
Rear Right								
Ride height								
0	0,5	1,0	1,5	2,0	2,5	3,0	Other	Top
							3,5	Bottom



Radio	Body	Electronic	Motor
Radio: SANWA	Body brand: BA 005	Servo: SANWA	Brand: LRP
EPA Steering: L: R:	Body type:	Speed control: SXX V2	Turn: 10,5
Steering expo:	Wing / spoiler: YES / NO	SC Software:	Rotor: 12,5
Brake E.P.:	Car	SC Setting:	Endbell timing: 0
Throttle expo:	Weight: 760 gr	Battery: IP	Temp. after race:
Receiver:	Notes:	Notes:	Gearing: 80/38
Notes:			Rollout (3,14*D*P)/S:

News: parts v2013

Notes: