



**Legend W.E.**

Driver Name: *CLAVEY*

Date: *12/01/13*

Club / Track: *Pinnelotte*

Event: *CF*

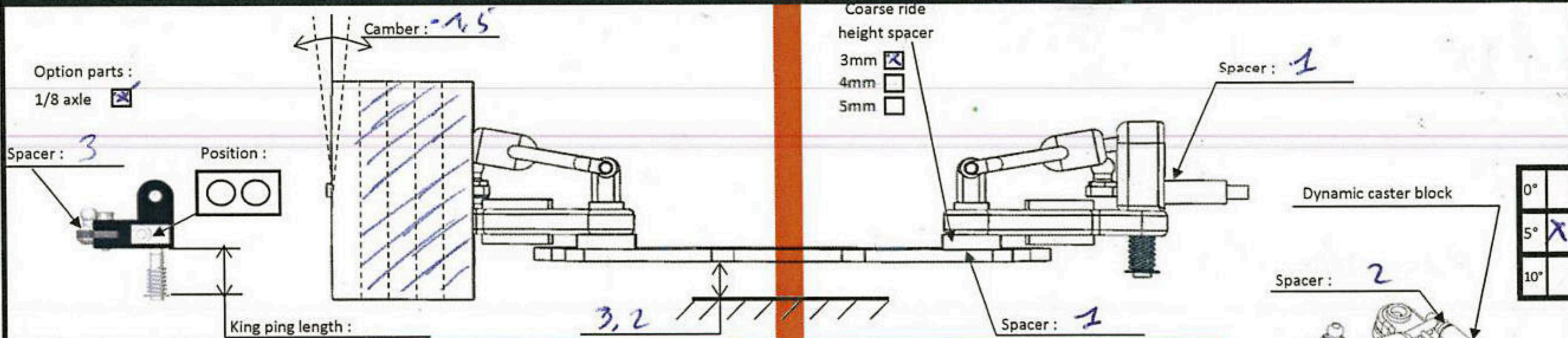
Track condition: *ESSAI LIBRE*

Temperature air/track:

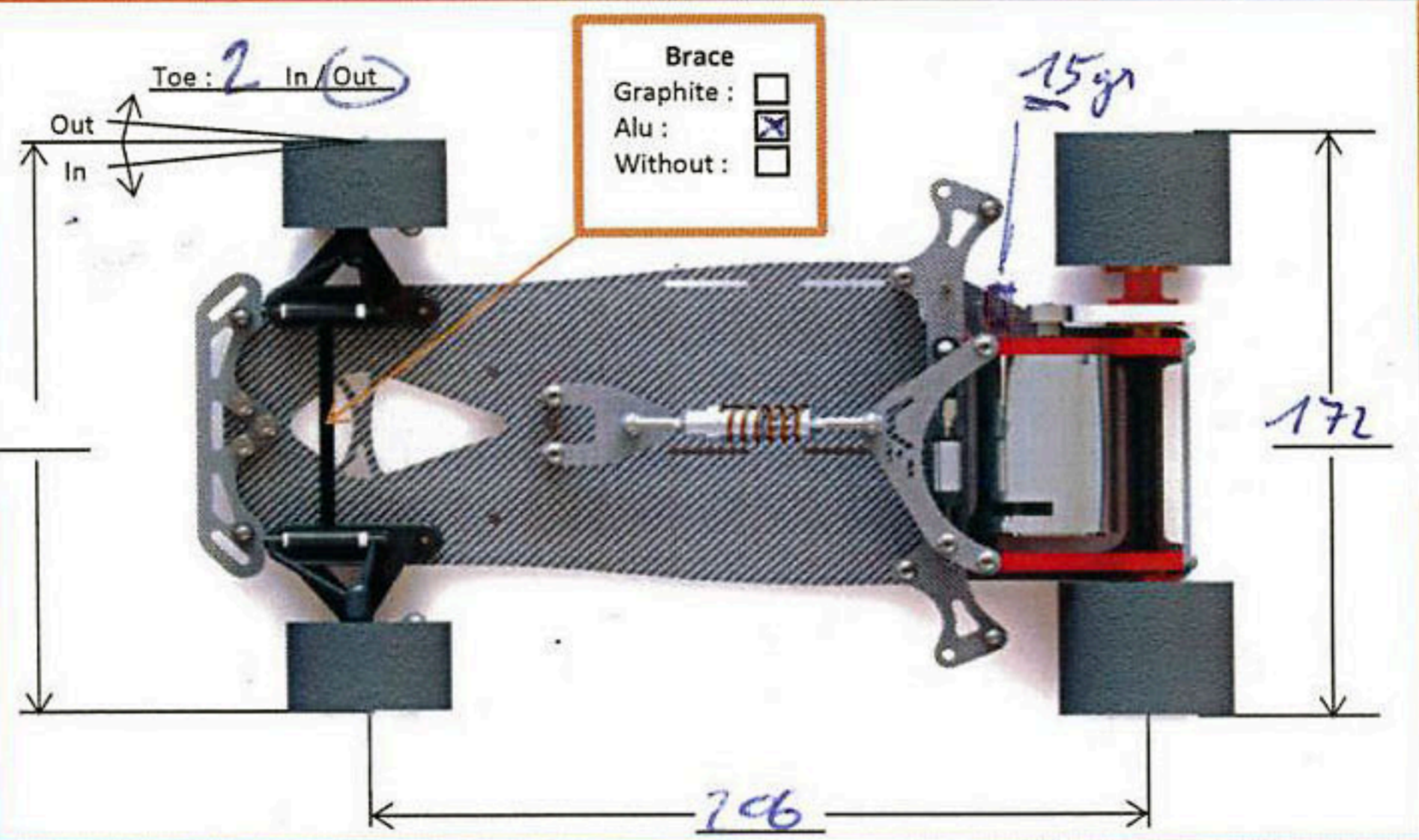
Best Lap:

Best run:

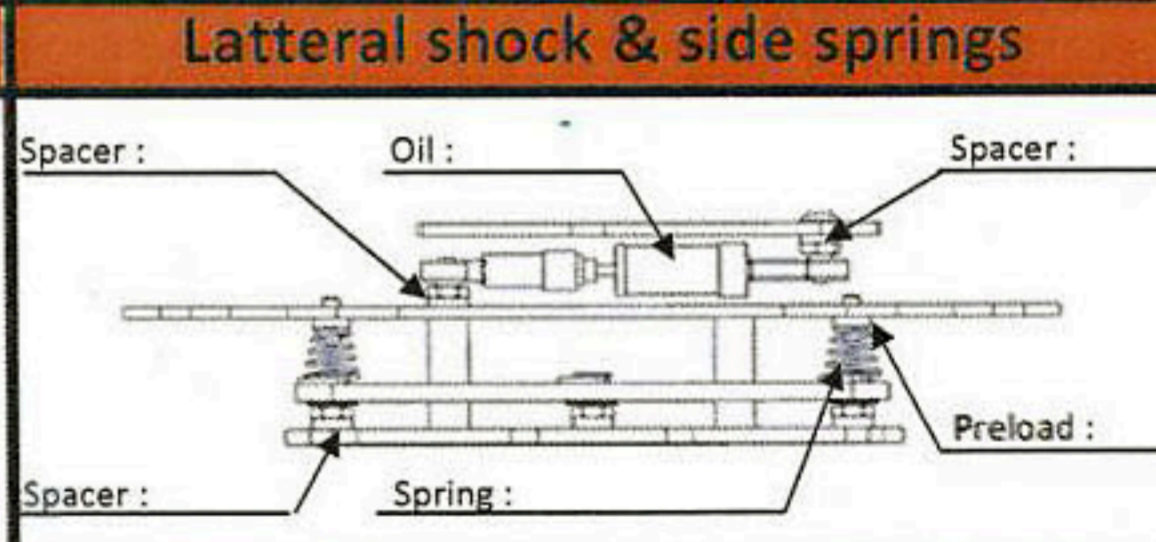
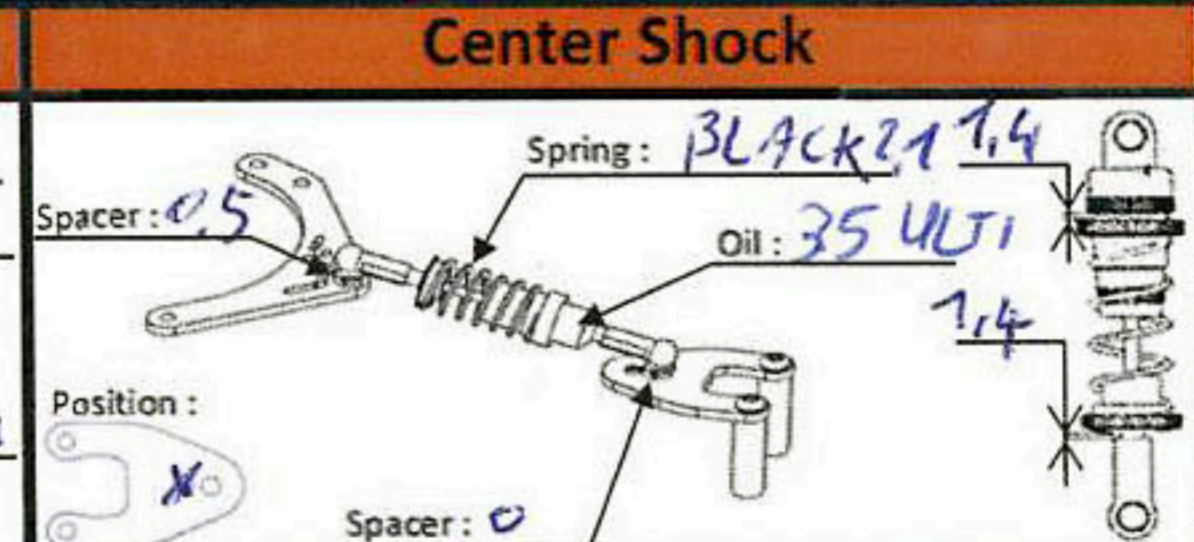
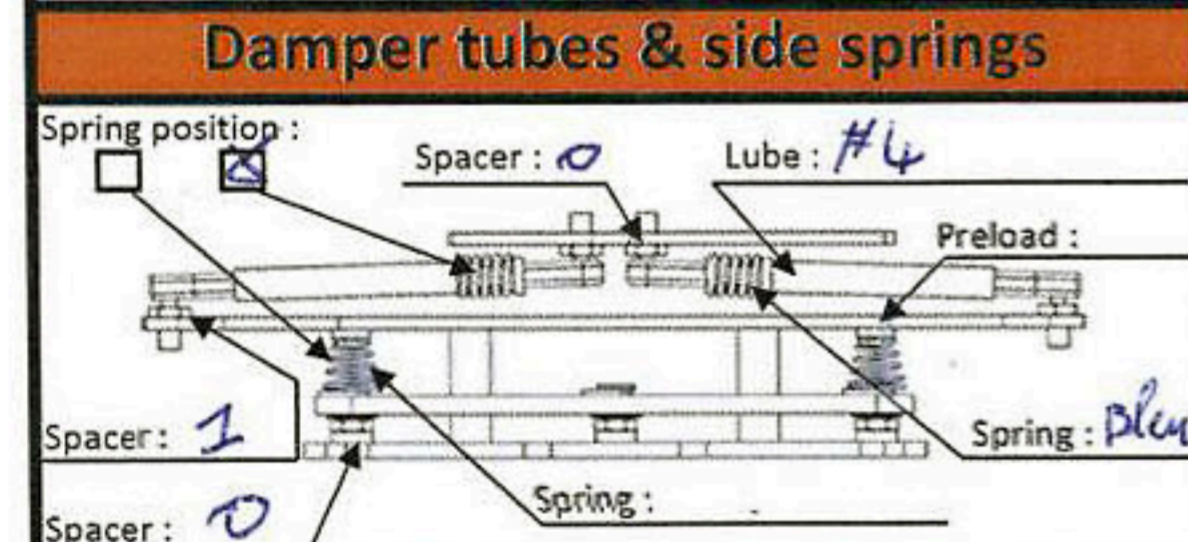
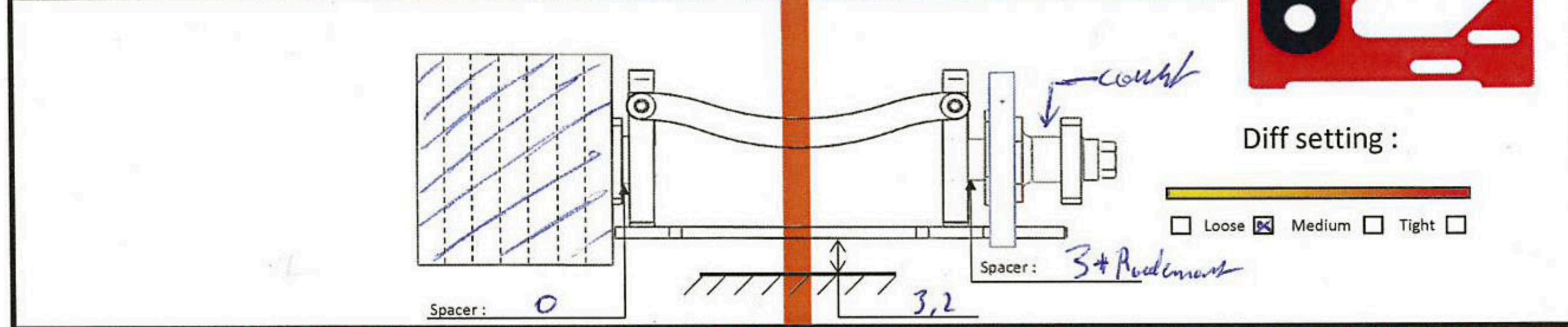
Result:



Tire: <i>CRC</i>
Shore: <i>42</i>
Diameter: <i>41.5</i>
Additive: <i>SPEEDTECH</i>
Additive timing: <i>20</i>
<b>Front Right</b>
<b>Rear Left</b>
Tire: <i>CRC</i>
Shore: <i>30</i>
Diameter: <i>42</i>
Additive: <i>SPEEDTECH</i>
Additive timing: <i>35</i>



Spacer: <i>2</i>			
Spacer: <i>1</i>			
Dynamic caster block			
Spacer: <i>1</i>			
Springs:	Other		
<input checked="" type="checkbox"/> 0,45	<input type="checkbox"/> 0,50	<input type="checkbox"/> 0,55	<input type="checkbox"/> 0,60
<b>Front Left</b>			
<b>Rear Right</b>			
Ride height			
0 0,5 1,0 1,5 2,0 2,5 3,0 Other Top			
<input type="checkbox"/> <input type="checkbox"/> <input checked="" type="checkbox"/> <input type="checkbox"/> <input type="checkbox"/> <input type="checkbox"/> <input type="checkbox"/> <input type="checkbox"/> <input type="checkbox"/> <input type="checkbox"/>	Bottom <input checked="" type="checkbox"/>		



<b>Radio</b>	<b>Body</b>	<b>Electronic</b>	<b>Motor</b>
Radio: <i>MT4</i>	Body brand: <i>PROTOFORM</i>	Servo: <i>FUTABA S9650</i>	Brand: <i>THUNDER</i>
EPA Steering: L: <i>50</i> R: <i>50</i>	Body type: <i>SPEED 12 B</i>	Speed control: <i>ORION</i>	Turn: <i>10.5</i>
Steering expo: <i>-39</i>	Wing / spoiler: YES/NO <input checked="" type="checkbox"/>	SC Software: <i>Stack</i>	Rotor: <i>std</i>
Brake E.P.:	<b>Car</b>	SC Setting:	Endbell timing: <i>30</i>
Throttle expo: <i>0</i>	Weight: <i>744</i>	Battery: <i>NVISION 6400</i>	Temp. after race:
Receiver: <i>RX 461</i>	Notes: <i>EPA 44144</i>	Notes:	Gearing: <i>84 1410</i>
Notes:			Rollout (3,14*D*P)/S: <i>64</i>

News:	Notes: