

ADVANCE

1/10 SCALE RADIO CONTROL TOURING CAR

EVO

SETUP SHEET 2K18

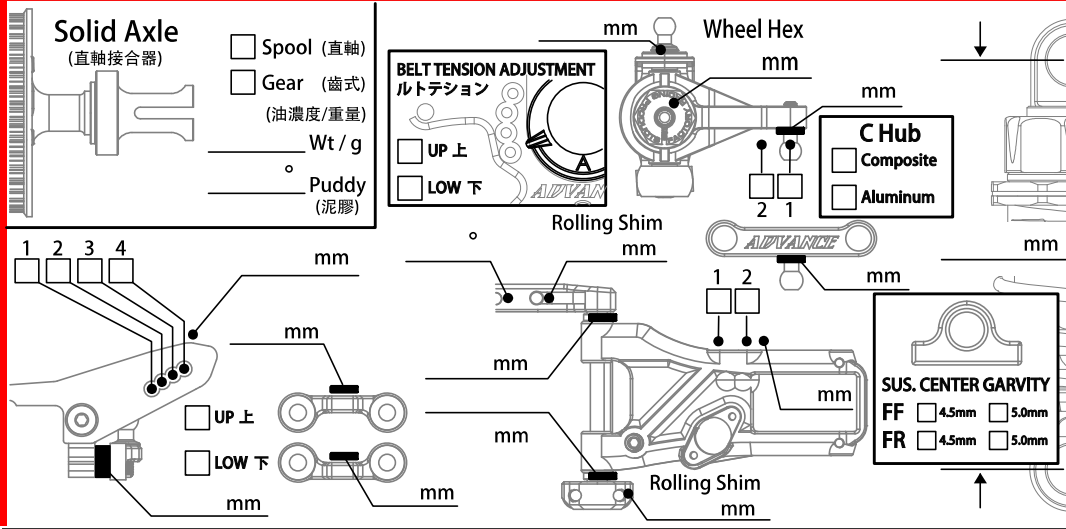
DRIVER _____ **DATE** _____

FINAL POSITION (決賽成績) _____ **BEST LAPS (最佳圈數)** _____

CIRCUIT (賽道) _____

Place (地點) Indoor (室內) Outdoor (室外)
 Track (場地) Asphalt (瀝青) Carpet (地毯)
 Traction (抓著力) High (高) Medium (中) Low (低)
 Track Condition (場地狀況) Flat (平坦) Bumpy (顛簸)

FRONT



shock absorber 減震器

Oil (油濃度) # _____

Piston (活塞) 2 3 4 Holes _____ mm

Spring (彈簧) _____ mm

Bladder Foam (油壓頂部海綿) Yes No

Rebound (彈芯) _____ %

Notes (備註) _____

Ride Height (離地距) _____ mm

Camber Angle (外傾角) _____ °

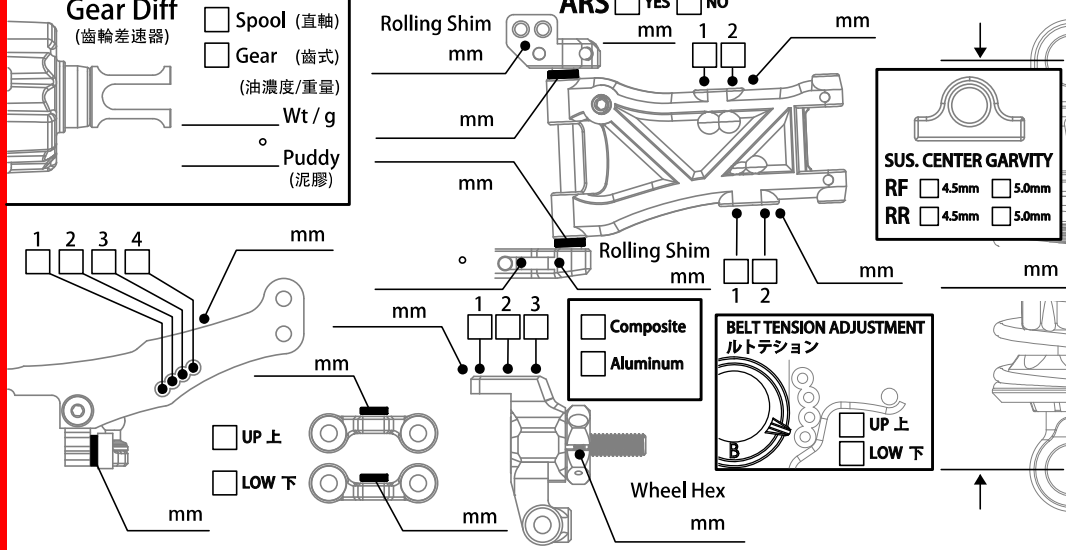
Sway Bar (防傾桿) _____ mm

Droop (油壓行程) _____ mm

Downstop (擺臂止限位) _____ mm

Toe Angle (束角) _____ °

REAR



shock absorber 減震器

Oil (油濃度) # _____

Piston (活塞) 2 3 4 Holes _____ mm

Spring (彈簧) _____ mm

Bladder Foam (油壓頂部海綿) Yes No

Rebound (彈芯) _____ %

Notes (備註) _____

Ride Height (離地距) _____ mm

Camber Angle (外傾角) _____ °

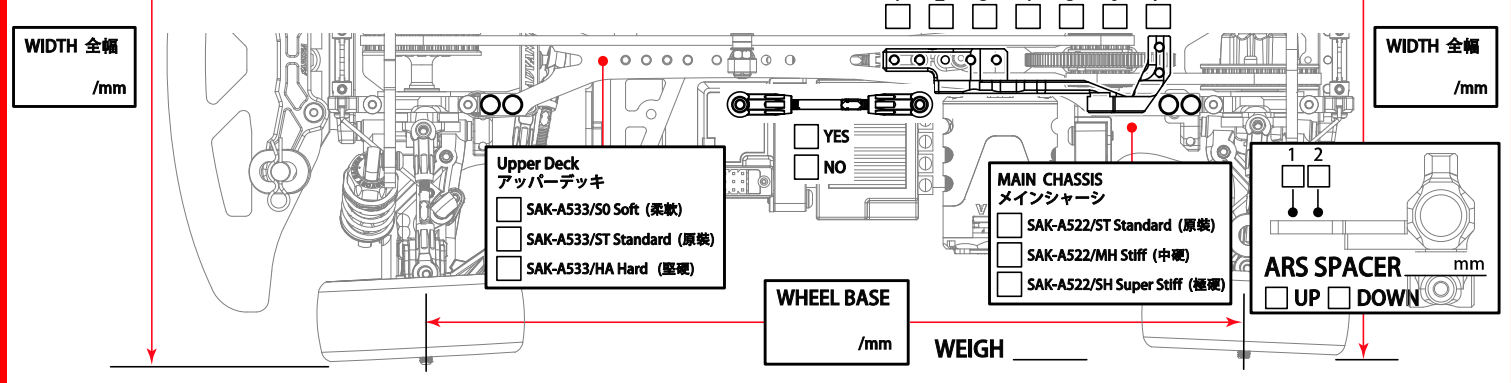
Sway Bar (防傾桿) _____ mm

Droop (油壓行程) _____ mm

Downstop (擺臂止限位) _____ mm

Toe Angle (束角) _____ °

OTHER



FRONT (前方)	REAR (後方)
Tire (胎皮)	
Compound (胎皮值)	
Insert (胎胆)	
Wheel (輪圈)	
Tire Treatment (胎水)	

Spur Gear (大減齒) _____	T _____	Pinion Gear (摩打齒) _____	T _____
Motor (馬達) _____		Battery (電池) _____	
ESC (電調) _____		Servo (伺服器) _____	
Body (車殼) _____		Wing (風翼) _____	
Final Drive Ratio (齒比) _____	(Spur / Pinion x 1.9) : 1		
	() : 1		

COMMENTS