



SETUP SHEET

Driver: John Adams

Date: _____

Track:

<input checked="" type="checkbox"/> Indoor	<input checked="" type="checkbox"/> Carpet	<input type="checkbox"/> Sealed
<input type="checkbox"/> Outdoor	<input type="checkbox"/> Concrete	<input checked="" type="checkbox"/> Smooth
<input type="checkbox"/> Tight / <input type="checkbox"/> Open	<input type="checkbox"/> Asphalt	<input type="checkbox"/> Rough

FRONT SUSPENSION (Circle or Check the Appropriate Settings)

In
Toe Out 1°

Ride Height 4mm

-
Camber + 1.5

Caster:
 Kickup _____
 Antidive 2
 Carrier 6

No
Sway Bar Yes size .080

Droop Height: _____

Pivot Support: 2F

Arm Spacing
 FWD
 MDL
 BACK

Front Drive:
 Diff
 One-Way
 Spool

Ackerman Position
 Forward
 Back

Camber Ball Stud:
 (Chrome)
 (Black)

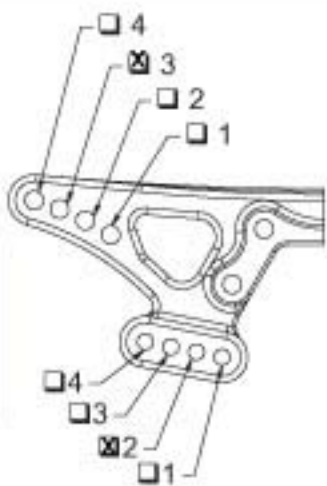
Pulley

Standard 42F 42R
 Overdrive 41F 42R
 Underdrive 42F 41R

of washers under steering/
tie-rod ball studs

Spindle ball stud: _____

Bellcrank ball stud: _____



and size of washers
under camber ball stud _____

RollCenter:
 High Low
 Other mid

Front Shocks
Oil: 60 wt Shock Length: _____
Piston: white Standard / Drilled
Spring: yellow (hard)
Limiters: Inside _____ Outside _____

NOTES: Use .080" shims under low roll center blocks.

REAR SUSPENSION

In
Toe Out 2

Ride Height 4mm

-
Camber + 1.5

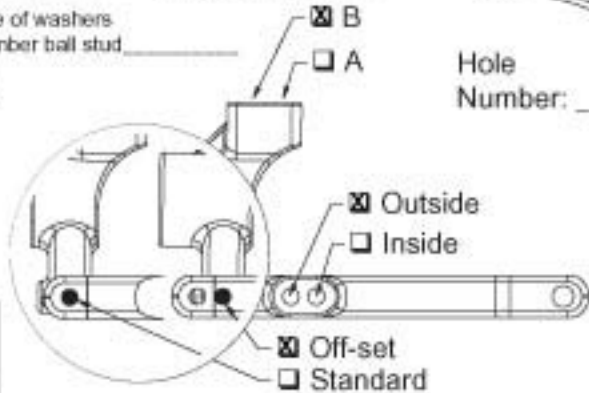
No
Sway Bar Yes size _____

Droop Height: _____

Pivot Support: _____

Arm Spacing
 FWD
 MDL
 BACK

Camber Ball Stud:
 (Chrome)
 (Black)



Hole Number: _____

RollCenter:
 High Low
 Other _____

Rear Shocks
Oil: 60 wt Shock Length: _____
Piston: orange Standard / Drilled
Spring: yellow (hard)
Limiters: Inside _____ Outside _____

NOTES: _____

Tree: _____ Compound _____ Insert _____ Wheel _____ Tire Dia. _____ Vehicle Weight _____

Front: purple/orange _____ _____ _____ 57mm _____

Rear: _____ purple _____ _____ _____ 57mm _____

Battery Placement: Back Forward Split: #Fwd _____ #Back _____ Tire Additive: _____

Transponder Position: personel

Motor: Trinity Monster

Pinion: 29+

Spur: 108

Body: Alpha

Body Height: 4mm

Wing: Alpha

Notes: _____